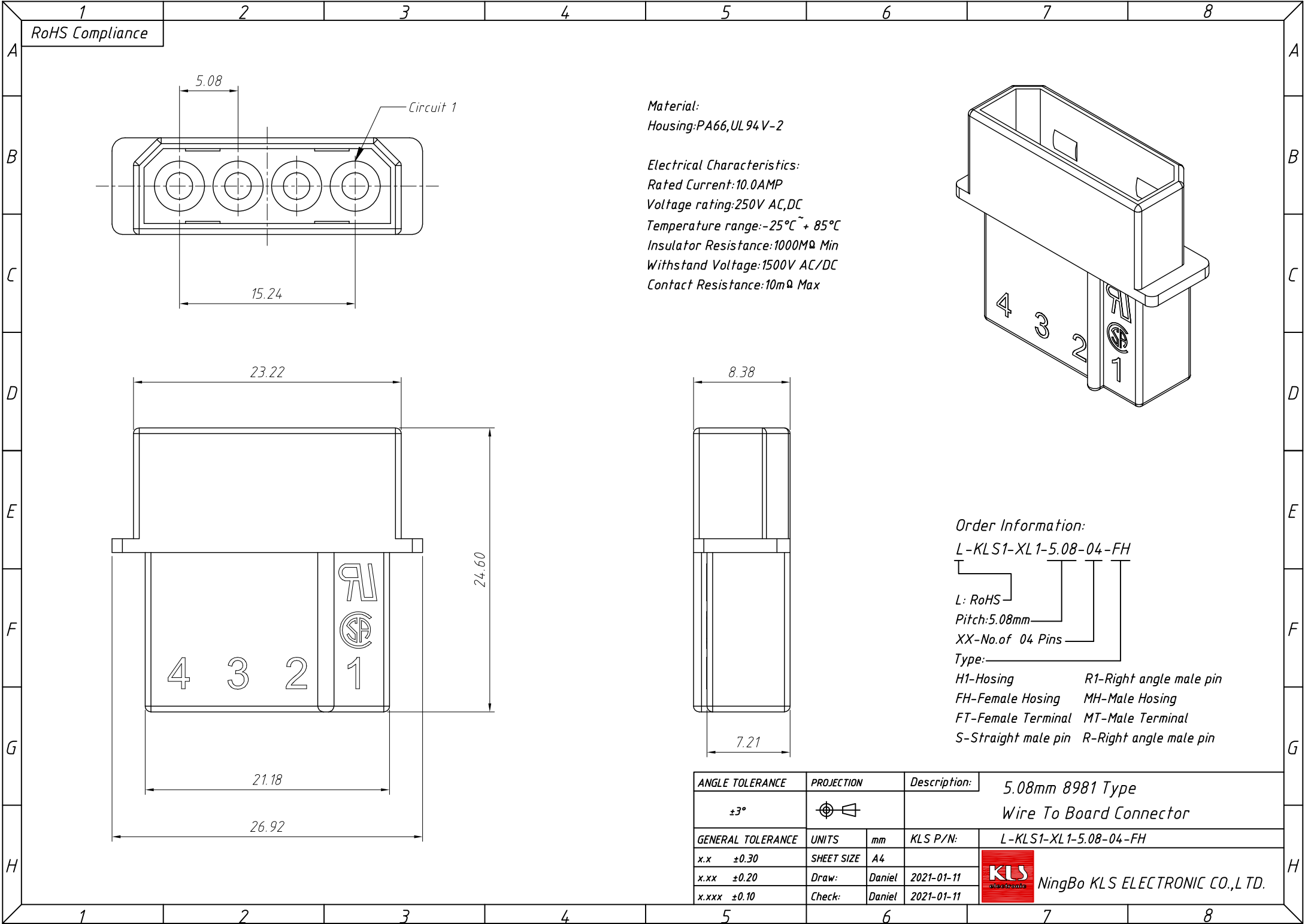
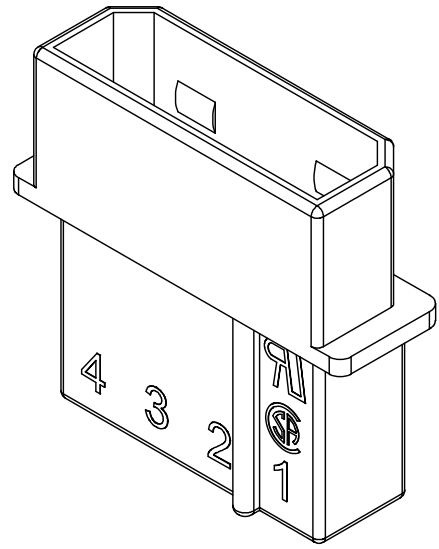


1
RoHS Compliance



Material:
Housing:PA66,UL94V-2

Electrical Characteristics:
Rated Current:10.0AMP
Voltage rating:250V AC,DC
Temperature range:-25°C ~ + 85°C
Insulator Resistance:1000M Ω Min
Withstand Voltage:1500V AC/DC
Contact Resistance:10m Ω Max

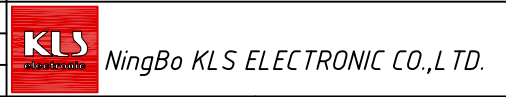


Order Information:
L-KLS1-XL1-5.08-04-FH

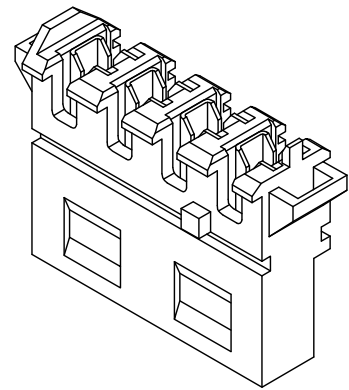
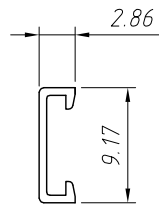
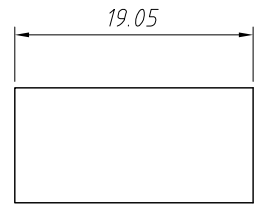
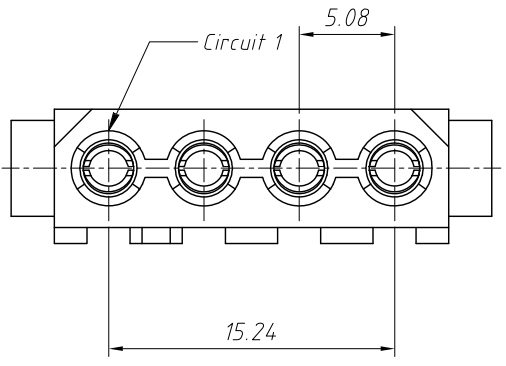
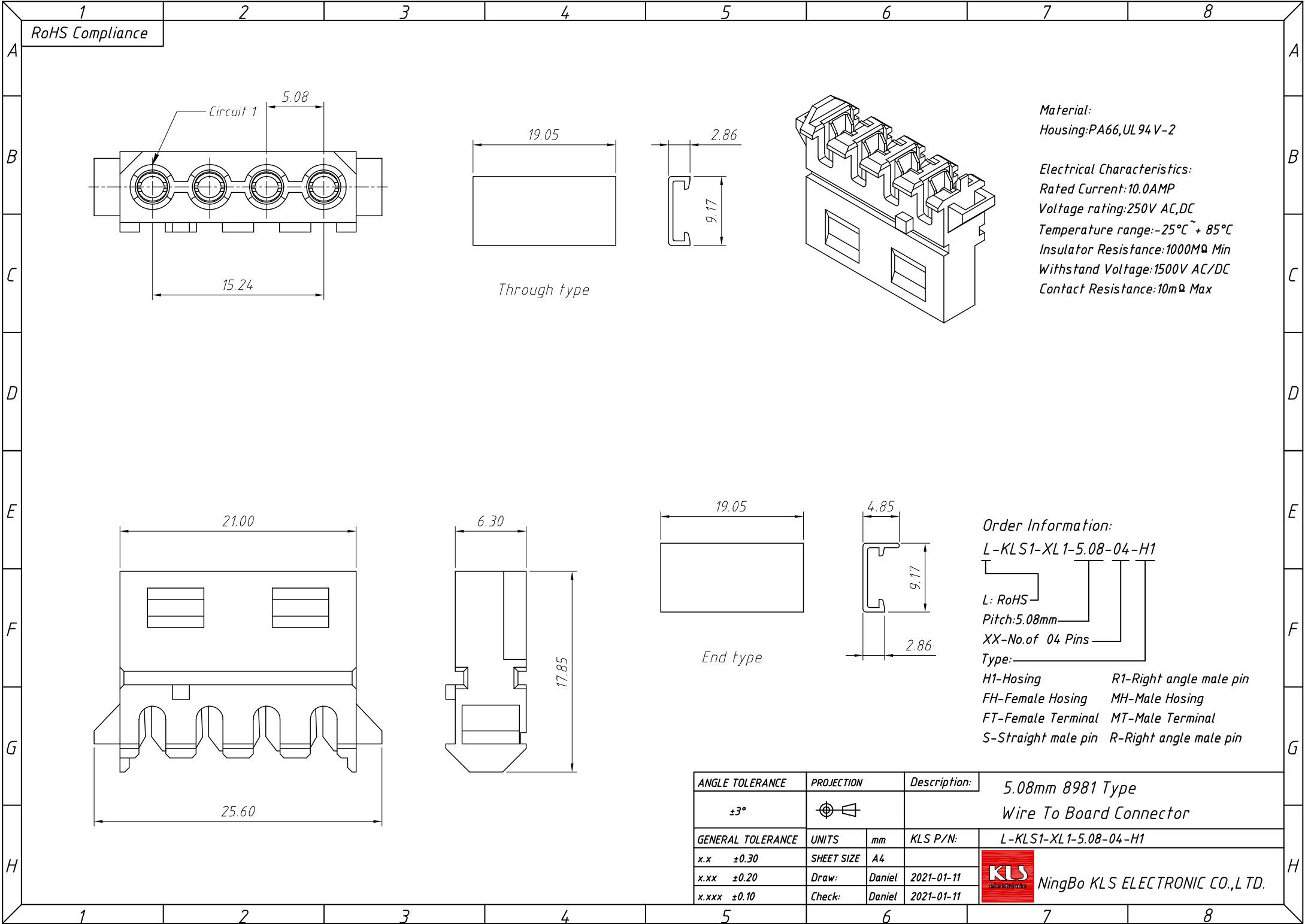
L: RoHS
Pitch:5.08mm
XX-No.of 04 Pins
Type:

H1-Hosing R1-Right angle male pin
FH-Female Hosing MH-Male Hosing
FT-Female Terminal MT-Male Terminal
S-Straight male pin R-Right angle male pin

ANGLE TOLERANCE	PROJECTION	Description:	5.08mm 8981 Type
$\pm 3^\circ$			Wire To Board Connector
GENERAL TOLERANCE	UNITS	mm	KLS P/N:
x.x ± 0.30	SHEET SIZE	A4	L-KLS1-XL1-5.08-04-FH
x.xx ± 0.20	Draw:	Daniel	2021-01-11
x.xxx ± 0.10	Check:	Daniel	2021-01-11

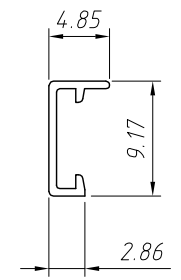
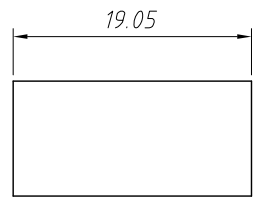
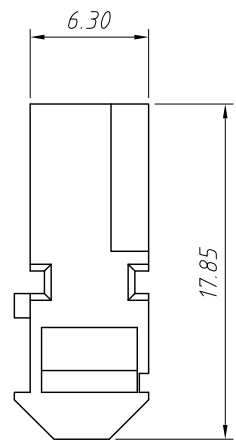
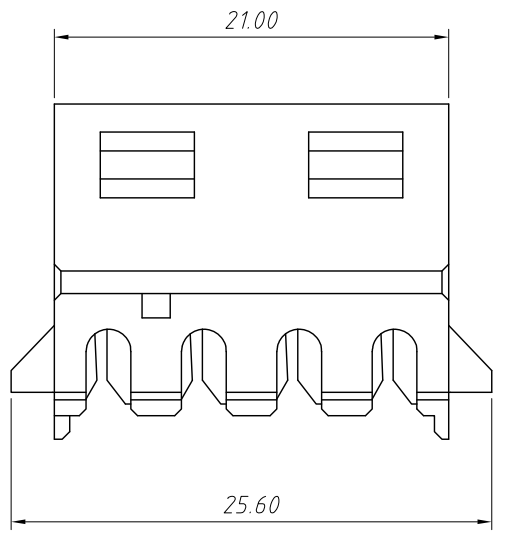


1
RoHS Compliance



Material:
Housing:PA66,UL94V-2

Electrical Characteristics:
Rated Current:10.0AMP
Voltage rating:250V AC,DC
Temperature range:-25°C ~ + 85°C
Insulator Resistance:1000MΩ Min
Withstand Voltage:1500V AC/DC
Contact Resistance:10mΩ Max

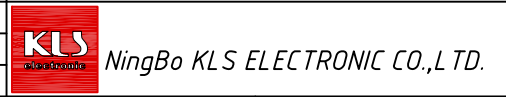


Order Information:
L-KLS1-XL1-5.08-04-H1

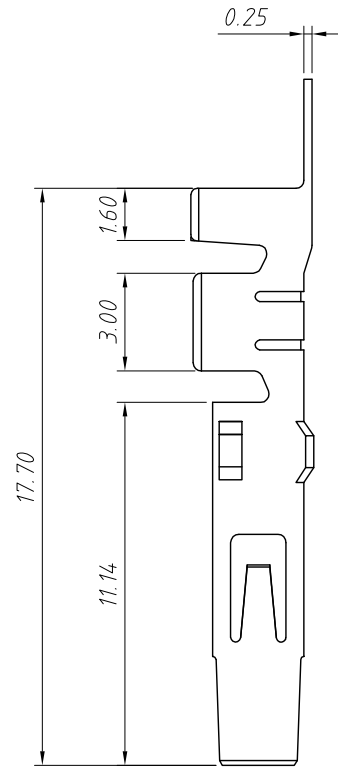
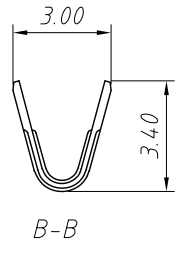
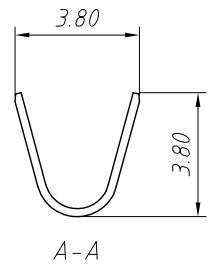
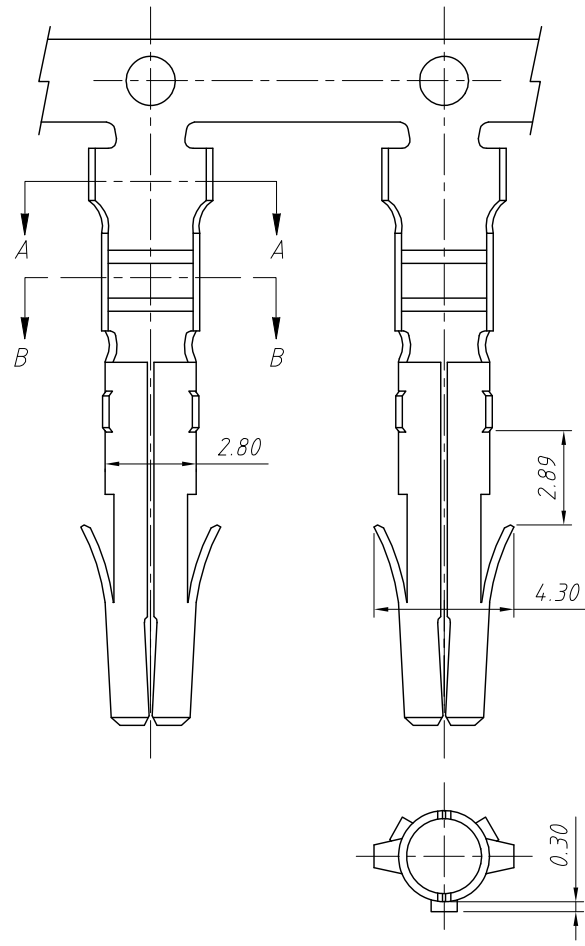
L: RoHS
Pitch:5.08mm
XX-No.of 04 Pins
Type:

H1-Hosing R1-Right angle male pin
FH-Female Hosing MH-Male Hosing
FT-Female Terminal MT-Male Terminal
S-Straight male pin R-Right angle male pin

ANGLE TOLERANCE	PROJECTION	Description:	5.08mm 8981 Type
±3°			Wire To Board Connector
GENERAL TOLERANCE	UNITS	mm	KLS P/N:
x.x ±0.30	SHEET SIZE	A4	L-KLS1-XL1-5.08-04-H1
x.xx ±0.20	Draw:	Daniel	2021-01-11
x.xxx ±0.10	Check:	Daniel	2021-01-11



1
RoHS Compliance

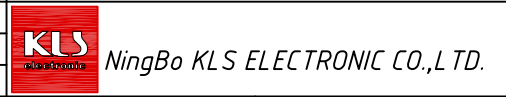


Material:
Terminal: Brass
Plating: Tin-plated.
Applicable wires: AWG #14 ~ # 20
Insulation O.D: 3.30mm Max
Qty/reel: 7000 PCS

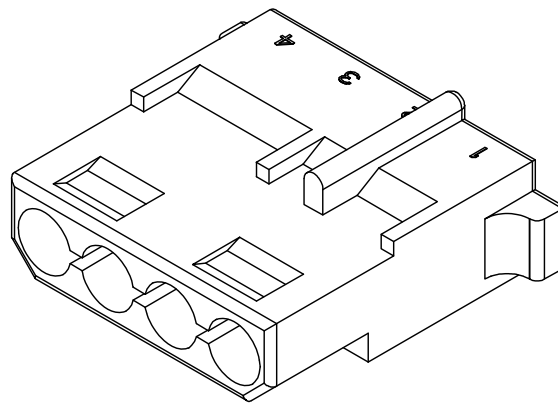
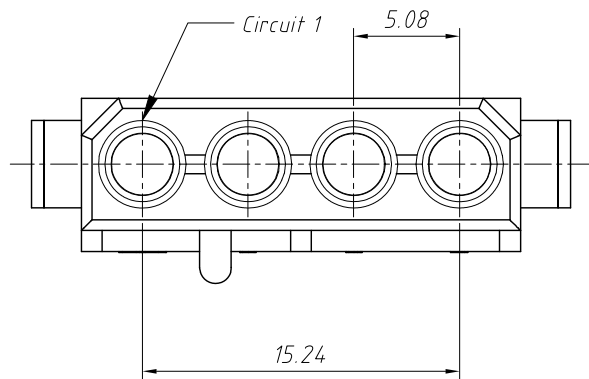
Electrical Characteristics:
Rated Current: 10.0AMP
Voltage rating: 250V AC,DC
Temperature range: -25°C ~ + 85°C
Insulator Resistance: 1000MΩ Min
Withstand Voltage: 1500V AC/DC
Contact Resistance: 10mΩ Max

Order Information:
L-KLS1-XL1-5.08-FT
L: RoHS
Pitch: 5.08mm
Type:
H1-Hosing R1-Right angle male pin
FH-Female Hosing MH-Male Hosing
FT-Female Terminal MT-Male Terminal
S-Straight male pin R-Right angle male pin

ANGLE TOLERANCE	PROJECTION	Description:	5.08mm 8981 Type Wire To Board Connector
±3°			
GENERAL TOLERANCE	UNITS	mm	KLS P/N: L-KLS1-XL1-5.08-FT
x.x ±0.30	SHEET SIZE	A4	
x.xx ±0.20	Draw:	Daniel	2021-01-11
x.xxx ±0.10	Check:	Daniel	2021-01-11



1 RoHS Compliance



Material:
Housing:PA66,UL 94V-2

Electrical Characteristics:
Rated Current:10.0AMP
Voltage rating:250V AC,DC
Temperature range:-25°C ~ + 85°C
Insulator Resistance:1000MΩ Min
Withstand Voltage:1500V AC/DC
Contact Resistance:10mΩ Max

Order Information:

L-KLS1-XL1-5.08-04-MH

L: RoHS

Pitch:5.08mm

XX-No.of 04 Pins

Type:

H1-Hosing

R1-Right angle male pin

FH-Female Hosing

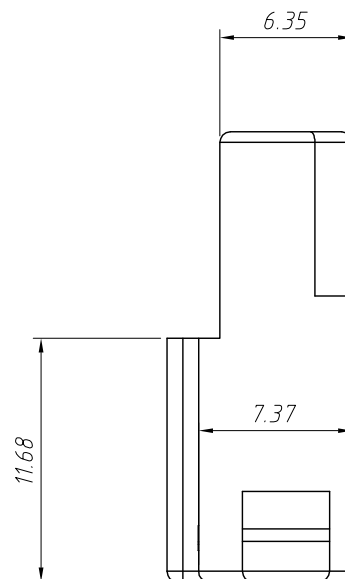
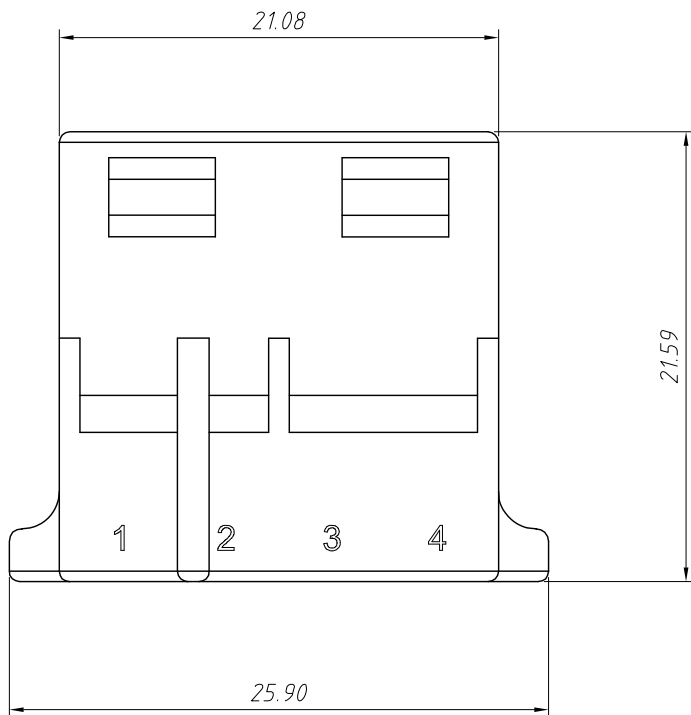
MH-Male Hosing

FT-Female Terminal

MT-Male Terminal

S-Straight male pin

R-Right angle male pin

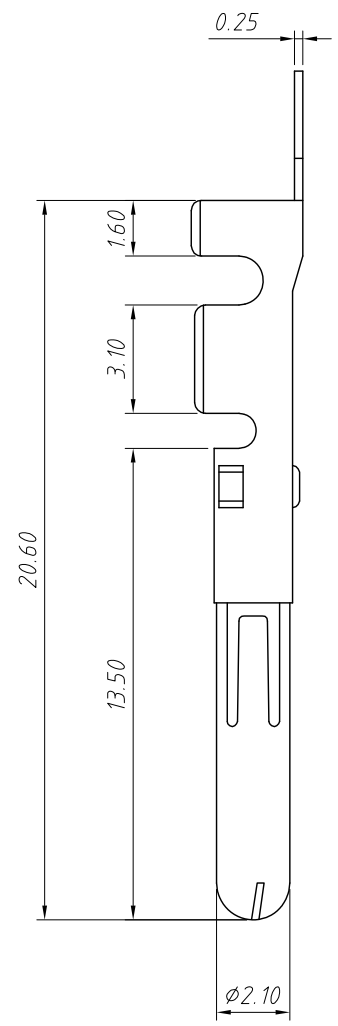
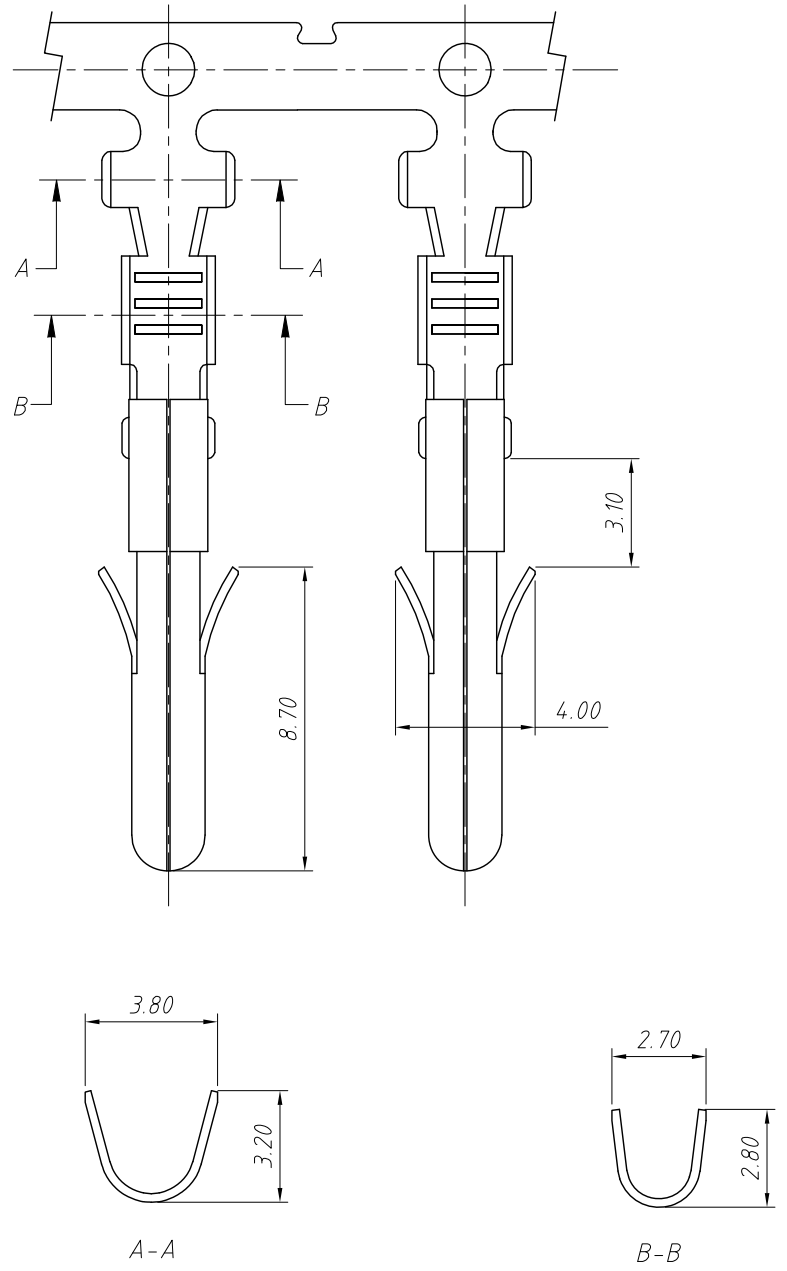


ANGLE TOLERANCE	PROJECTION	Description:	5.08mm 8981 Type
±3°			Wire To Board Connector
GENERAL TOLERANCE	UNITS	mm	KLS P/N:
x.x ±0.30	SHEET SIZE	A4	L-KLS1-XL1-5.08-04-MH
x.xx ±0.20	Draw:	Daniel	2021-01-11
x.xxx ±0.10	Check:	Daniel	2021-01-11



NingBo KLS ELECTRONIC CO.,L TD.

1
RoHS Compliance

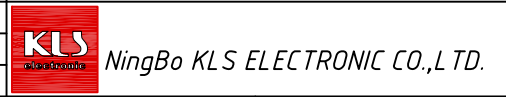


Material:
Terminal: Brass
Plating: Tin-plated.
Applicable wires: AWG #18 ~ #24
Insulation O.D: 2.50mm Max
Qty/reel: 7000 PCS

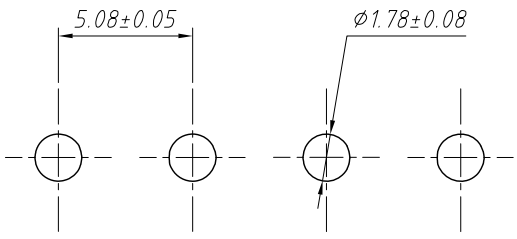
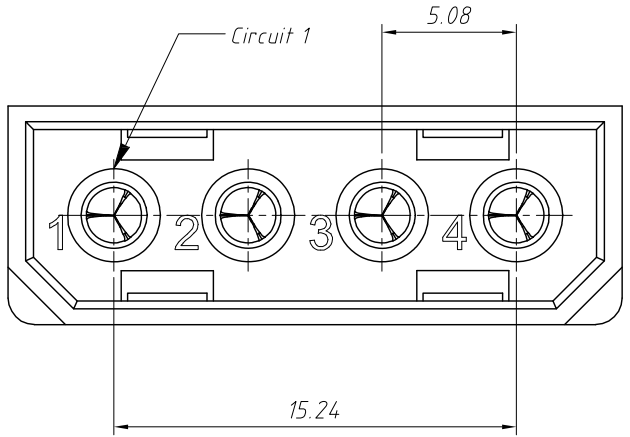
Electrical Characteristics:
Rated Current: 10.0AMP
Voltage rating: 250V AC, DC
Temperature range: -25°C ~ +85°C
Insulator Resistance: 1000MΩ Min
Withstand Voltage: 1500V AC/DC
Contact Resistance: 10mΩ Max

Order Information:
L-KLS1-XL1-5.08-MT
L: RoHS
Pitch: 5.08mm
Type:
H1-Hosing R1-Right angle male pin
FH-Female Hosing MH-Male Hosing
FT-Female Terminal MT-Male Terminal
S-Straight male pin R-Right angle male pin

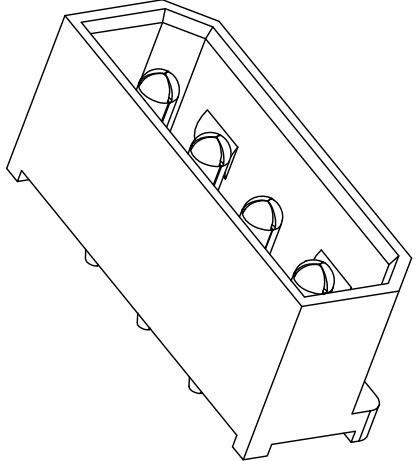
ANGLE TOLERANCE	PROJECTION	Description:	5.08mm 8981 Type
±3°			Wire To Board Connector
GENERAL TOLERANCE	UNITS	mm	KLS P/N:
x.x ±0.30	SHEET SIZE	A4	L-KLS1-XL1-5.08-MT
x.xx ±0.20	Draw:	Daniel	2021-01-11
x.xxx ±0.10	Check:	Daniel	2021-01-11



1
RoHS Compliance

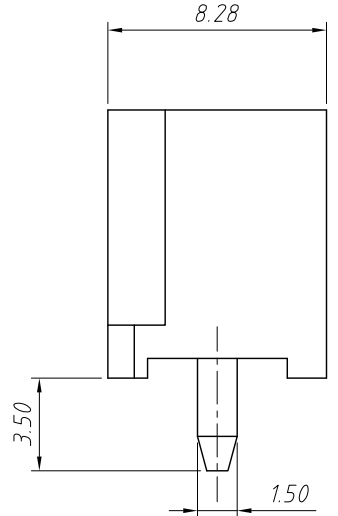
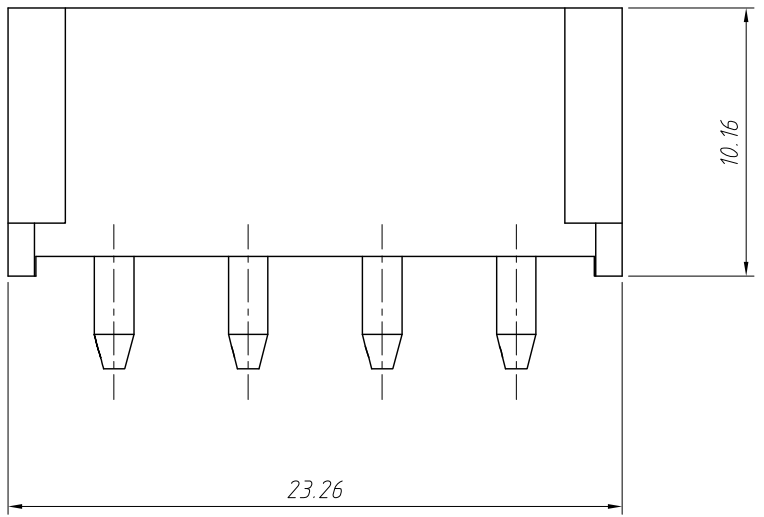


PCB LAYOUT



Material:
Housing:PA66,UL 94V-2
Contact:Brass
Plating:Tin Plated

Electrical Characteristics:
Rated Current:10.0AMP
Voltage rating:250V AC,DC
Temperature range:-25°C ~ + 85°C
Insulator Resistance:1000MΩ Min
Withstand Voltage:1500V AC/DC
Contact Resistance:10mΩ Max

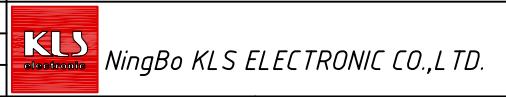


Order Information:
L-KLS1-XL1-5.08-04-S

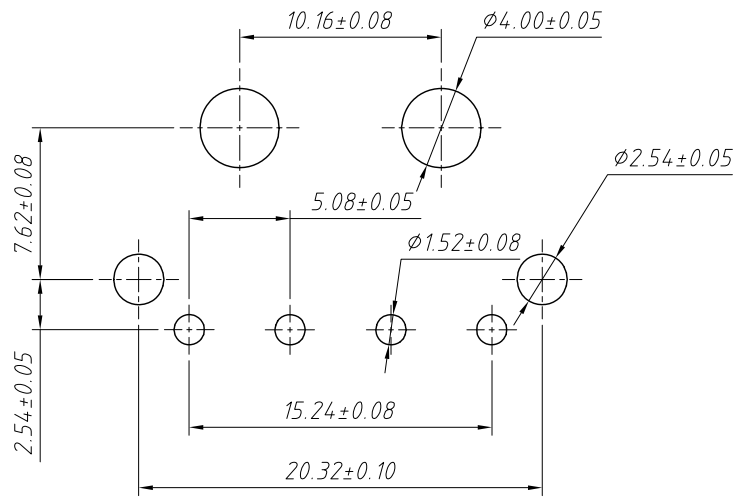
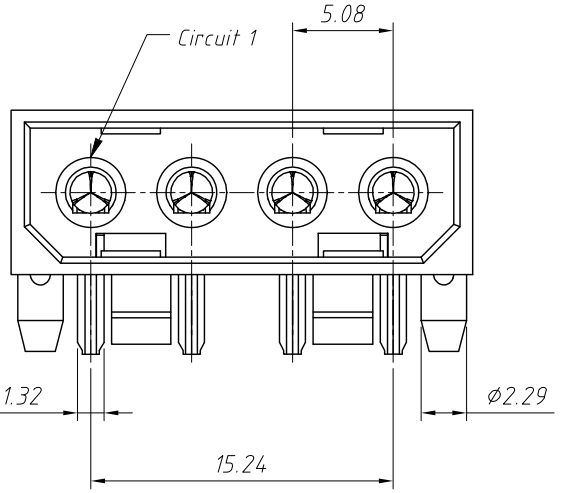
L: RoHS
Pitch:5.08mm
XX-No.of 04 Pins
Type:

H1-Hosing R1-Right angle male pin
FH-Female Hosing MH-Male Hosing
FT-Female Terminal MT-Male Terminal
S-Straight male pin R-Right angle male pin

ANGLE TOLERANCE	PROJECTION	Description:	5.08mm 8981 Type
±3°			Wire To Board Connector
GENERAL TOLERANCE	UNITS	mm	KLS P/N:
x.x ±0.30	SHEET SIZE	A4	L-KLS1-XL1-5.08-04-S
x.xx ±0.20	Draw:	Daniel	2021-01-11
x.xxx ±0.10	Check:	Daniel	2021-01-11



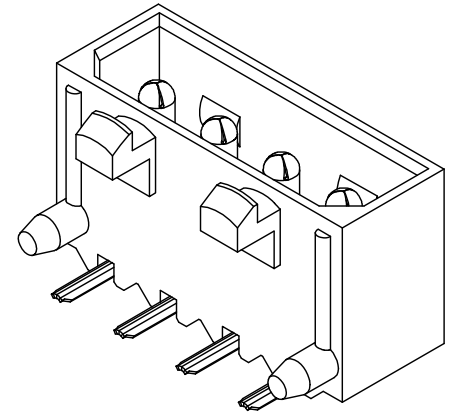
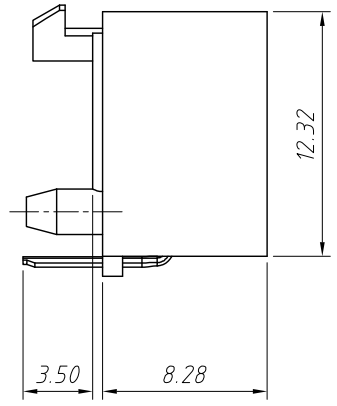
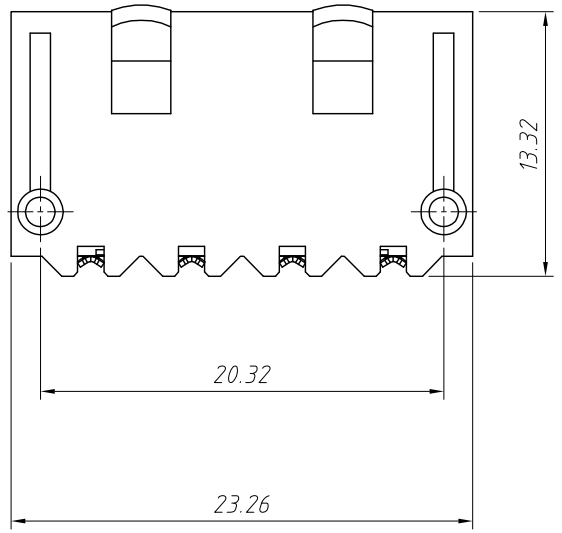
1
RoHS Compliance



PCB LAYOUT

Material:
Housing:PA66,UL 94V-2
Contact:Brass
Plating: Tin Plated

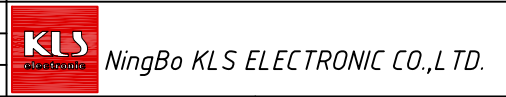
Electrical Characteristics:
Rated Current:10.0AMP
Voltage rating:250V AC,DC
Temperature range:-25°C ~ + 85°C
Insulator Resistance:1000MΩ Min
Withstand Voltage:1500V AC/DC
Contact Resistance:10mΩ Max



Order Information:
L-KLS1-XL1-5.08-04-R

L: RoHS
Pitch:5.08mm
XX-No.of 04 Pins
Type:
H1-Hosing R1-Right angle male pin
FH-Female Hosing MH-Male Hosing
FT-Female Terminal MT-Male Terminal
S-Straight male pin R-Right angle male pin

ANGLE TOLERANCE	PROJECTION	Description:	5.08mm 8981 Type
±3°			Wire To Board Connector
GENERAL TOLERANCE	UNITS	mm	KLS P/N:
x.x ±0.30	SHEET SIZE	A4	L-KLS1-XL1-5.08-04-R
x.xx ±0.20	Draw:	Daniel	2021-01-11
x.xxx ±0.10	Check:	Daniel	2021-01-11



1
RoHS Compliance

2 3 4 5 6 7 8

A

B

C

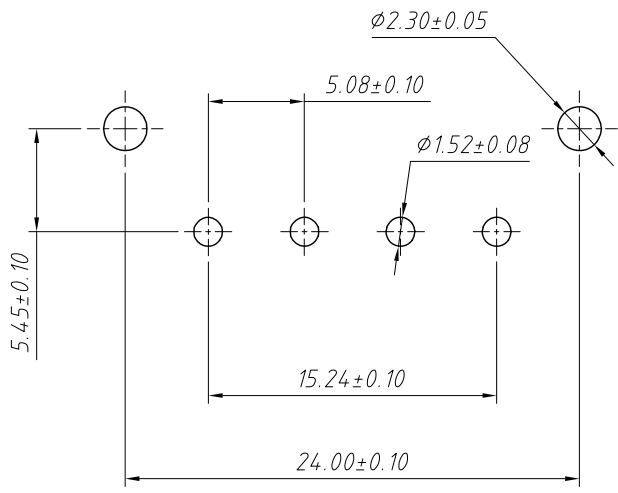
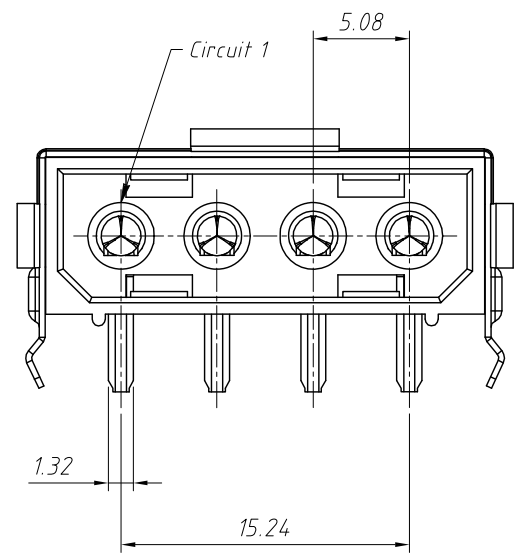
D

E

F

G

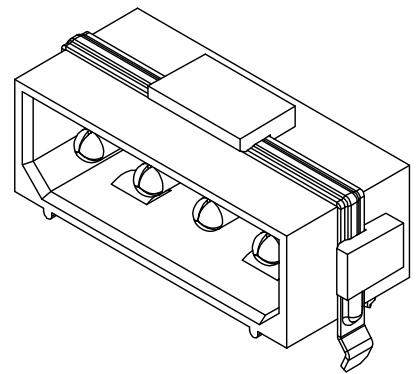
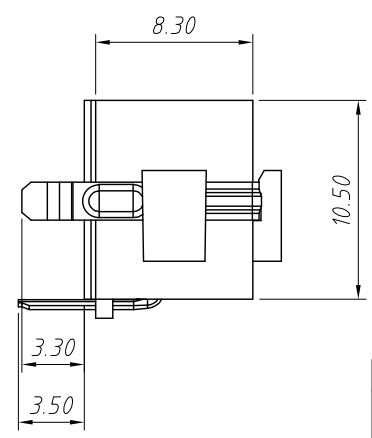
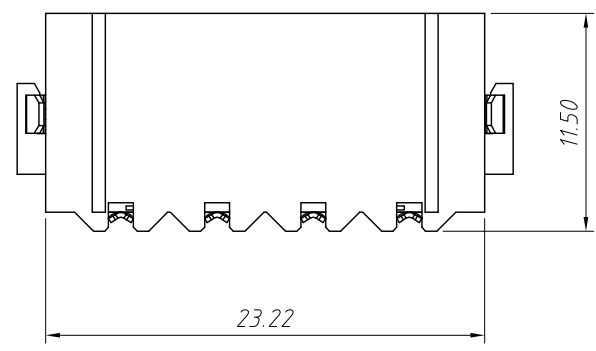
H



PCB LAYOUT

Material:
 Housing:PA66,UL 94V-2
 Contact:Brass
 Plating:Tin Plated

Electrical Characteristics:
 Rated Current:10.0AMP
 Voltage rating:250V AC,DC
 Temperature range:-25°C ~ +85°C
 Insulator Resistance:1000MΩ Min
 Withstand Voltage:1500V AC/DC
 Contact Resistance:10mΩ Max



Order Information:
 L-KLS1-XL1-5.08-04-R1

L: RoHS
 Pitch:5.08mm
 XX-No.of 04 Pins
 Type:

H1-Hosing R1-Right angle male pin
 FH-Female Hosing MH-Male Hosing
 FT-Female Terminal MT-Male Terminal
 S-Straight male pin R-Right angle male pin

ANGLE TOLERANCE	PROJECTION	Description:	5.08mm 8981 Type
±3°			Wire To Board Connector
GENERAL TOLERANCE	UNITS	mm	KLS P/N:
x.x ±0.30	SHEET SIZE	A4	L-KLS1-XL1-5.08-04-R1
x.xx ±0.20	Draw:	Daniel	2021-01-11
x.xxx ±0.10	Check:	Daniel	2021-01-11



1 2 3 4 5 6 7 8