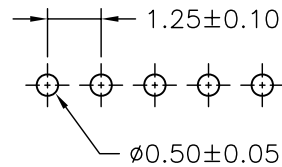
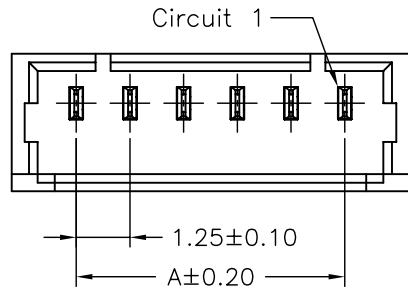
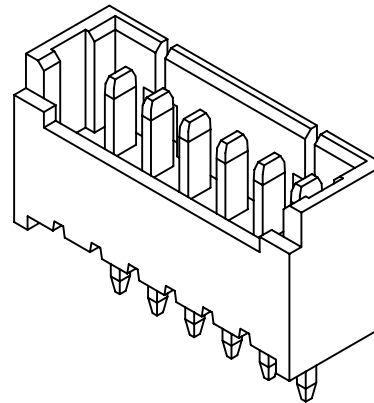


SPECIFICATIONS

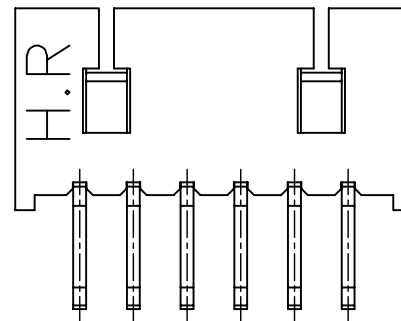
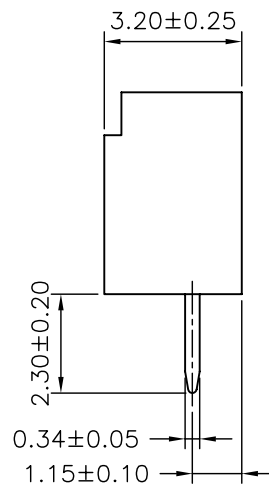
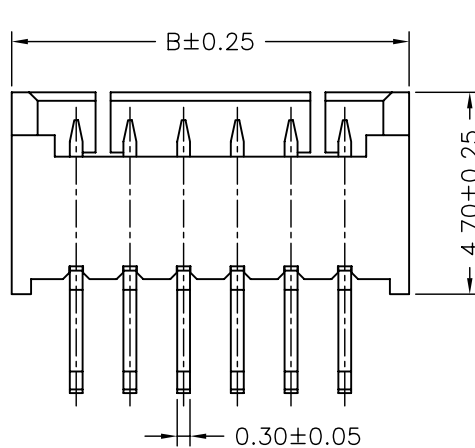
Current Rating: 1A AC,DC
 Voltage Rating: 125V AC,DC
 Temperature Range: -25°C ~ +85°C
 Contact Resistance: 20mΩ Max.
 Insulation Resistance: 100MΩ Min.
 Withstanding Voltage: 500V AC/minute
 Pin Material: Phosphor Bronze/Tin-plated
 Material: Nylon 6T,UL94V-0
 Color: Natural(Beige)

Ordering Information & Dimensions

| PART NO. | Dimensions | |
|-------------|------------|-------|
| | A | B |
| A1250WV-02P | 1.25 | 4.25 |
| A1250WV-03P | 2.50 | 5.50 |
| A1250WV-04P | 3.75 | 6.75 |
| A1250WV-05P | 5.00 | 8.00 |
| A1250WV-06P | 6.25 | 9.25 |
| A1250WV-07P | 7.50 | 10.50 |
| A1250WV-08P | 8.75 | 11.75 |
| A1250WV-09P | 10.00 | 13.00 |
| A1250WV-10P | 11.25 | 14.25 |
| A1250WV-11P | 12.50 | 15.50 |
| A1250WV-12P | 13.75 | 16.75 |
| A1250WV-13P | 15.00 | 18.00 |
| A1250WV-14P | 16.25 | 19.25 |
| A1250WV-15P | 17.50 | 20.50 |
| A1250WV-16P | 18.75 | 21.75 |
| A1250WV-17P | 20.00 | 23.00 |
| A1250WV-18P | 21.25 | 24.25 |



P.C.B LAYOUT



| | | | | | |
|------|-------------|------------|--|--------|-------------|
| | | | | | |
| | | | UNIT | SCALE | SHEET |
| | | | mm | | 1 of 1 |
| | | | DRAWN BY | | APPROVED BY |
| | | | 董正一 | | 董正一 |
| | | | 2001.02.01 | | 2001.02.01 |
| | | | GENERAL TOLERANCE | | |
| | | | X. X±0.25 | ANGLE± | |
| | | | X. XX±0.15 | 125 | |
| | | | X. XXX±0.05 | | |
| B0 | NEW RELEASE | 2006.06.23 | DRAW NO. : A1250WV-XP | | |
| REV. | DESCRIPTION | DATE | | | |
| | | | TITLE: 1.25mm PITCH 180° WAFER | | |
| | | | REV. B0 | | |