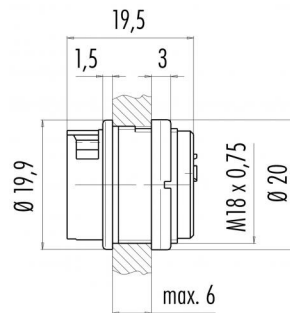


Product description **Bayonet female panel mount connector, Contacts: 3 DIN, shielding is not possible, solder, IP40**
 Area **Bayonet series 678**
 Order number **99 0608 00 03**

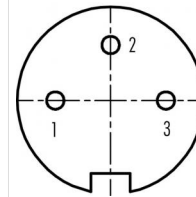
Illustration



Scale drawing



Contact arrangement (Plug-in side)



	X	Y
1	-3,50	0,00
2	0,00	3,50
3	3,50	0,00

You can find the assembly instructions on the next page.

Technical data

General values

Connector design female panel mount connector
 Connector locking system Bayonet
 Termination solder
 Wire gauge (mm) 0.75 mm²
 Wire gauge (AWG) 18
 Upper limit temperature 85 °C
 Lower limit temperature - 40 °C
 Customs tariff number 85369010
 Packaging Unit 50

Electrical values

Rated current (40 °C) 7 A
 Rated voltage 250 V
 Rated impulse voltage 1500 V
 Pollution degree 1
 Overvoltage category I
 Insulating material group III
 Insulation resistance $\geq 10^{10} \Omega$
 EMC compliance shielding is not possible
 Degree of protection IP40
 Mechanical operation > 500 Mating cycles

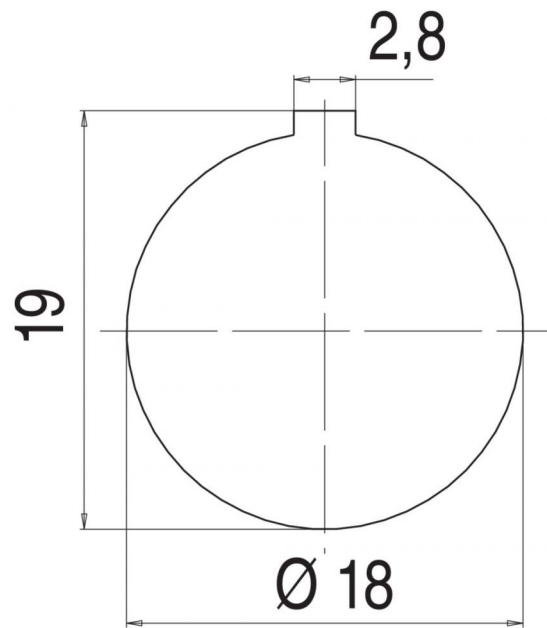
Material

Contact material CuSn (bronze)
 Contact plating Ag (silver)
 Contact body material PBT (UL94 V-0)
 Housing material PA
 REACH SVHC CAS 7439-92-1 (Lead)

Product description **Bayonet female panel mount connector, Contacts: 3 DIN, shielding is not possible, solder, IP40**

Area **Bayonet series 678**
Order number **99 0608 00 03**

Assembly instructions / Panel cut-out



Product description	Bayonet female panel mount connector, Contacts: 3 DIN, shielding is not possible, solder, IP40
Area	Bayonet series 678
Order number	99 0608 00 03

Security notices

The connector must not be connected or separated under load. Non-observance and incorrect use can result in personal injury.

The connectors are designed for use in plant, control system and electrical equipment. The end user is responsible for checking whether the connectors are suitable for use in other applications.

The connector is not suitable for mains voltages. Please observe the pollution degrees and the overvoltage category. For further information refer to 'Technical support' in the Download Centre.