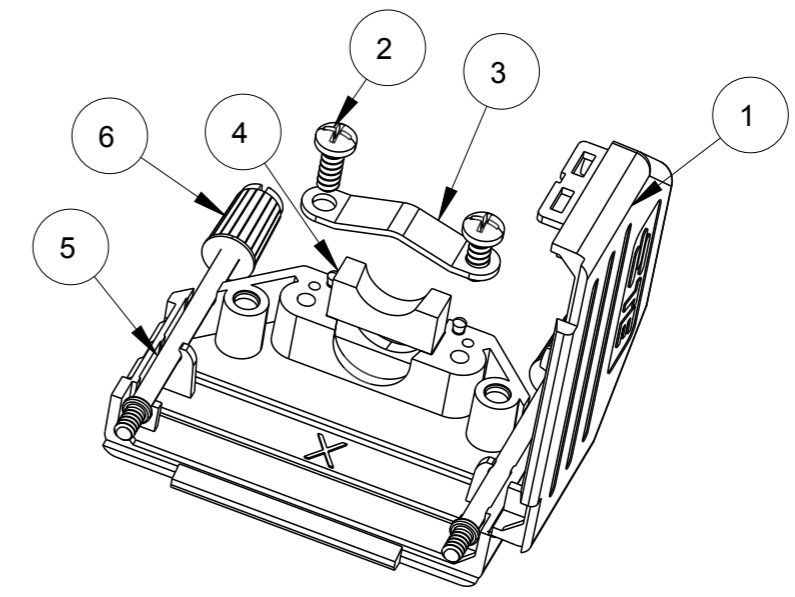
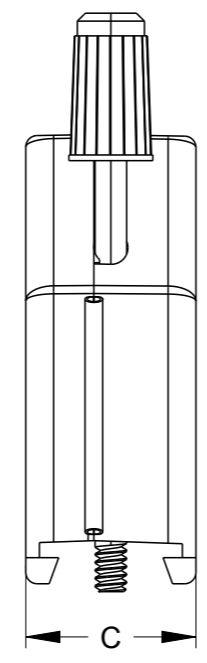
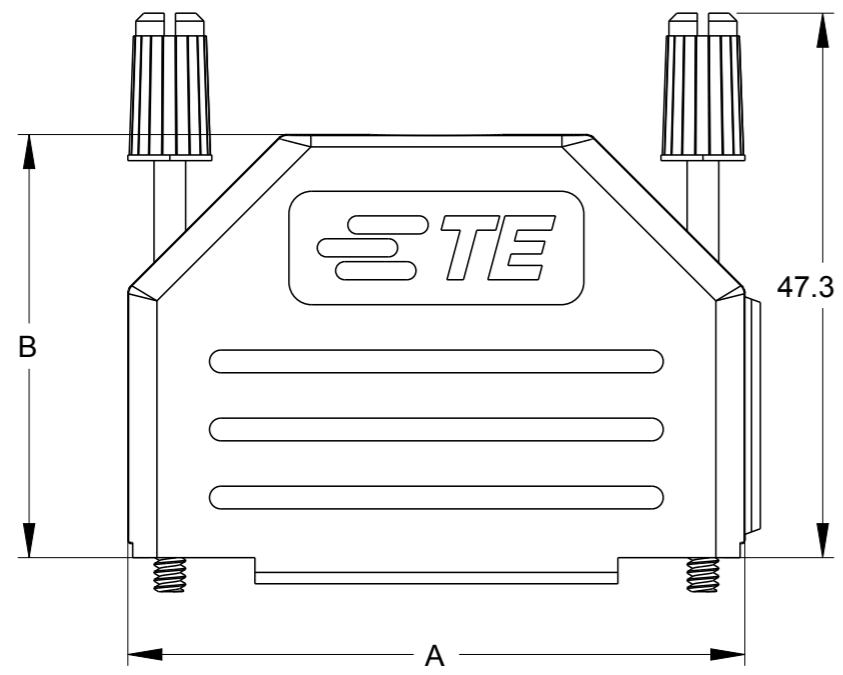


THIS DRAWING IS UNPUBLISHED. RELEASED FOR PUBLICATION 20
 © COPYRIGHT 20 BY TYCO ELECTRONICS CORPORATION. ALL INTERNATIONAL RIGHTS RESERVED.

LOC	DIST	REVISIONS					
		P	LTR	DESCRIPTION	DATE	DWN	APVD
B	E						



1 BULK PACKAGED SHELL ASSEMBLIES.
 SHELL ASSEMBLY COMPONENTS PACKAGED SEPERATELY
 IN BAGS. 100 COMPONENT SETS PER BAG.

- 2. TEMPERATURE RANGE -55C - +105C
- 3. CABLE DIAMETER 3.0 - 11.0mm

PACKAGING	DIM C	DIM B	DIM A	FIXING SCREW TYPE	JACKSCREW THREAD	SHELL SIZE	POSITION	COLOUR	PART NO
1	15.0	36.0	70.9	SELF TAPPING	4-40 UNC	4	37	BLACK	3-1991253-7
1	15.0	37.3	54.4	SELF TAPPING	4-40 UNC	3	25	BLACK	2-1991253-5
1	15.0	30.8	40.7	SELF TAPPING	4-40 UNC	2	15	BLACK	1-1991253-5
1	15.0	31.3	32.4	SELF TAPPING	4-40 UNC	1	9	BLACK	1991253-9

ITEM	DESCRIPTION	MATERIAL	FINISH	QTY
6	JACKSCREW KNOB	POLYAMIDE UL94 V2		2
5	JACKSCREW	CARBON STEEL	ZINC	2
4	CABLE CLAMP BASE	POLYAMIDE UL94 V2		1
3	CABLE CLAMP	CARBON STEEL	ZINC	1
2	FIXING SCREW	CARBON STEEL	ZINC	2
1	BACKSHELL BODY	POLYAMIDE UL94 V2		1

THIS DRAWING IS A CONTROLLED DOCUMENT FOR TYCO ELECTRONICS CORPORATION
 IT IS SUBJECT TO CHANGE AND THE CONTROLLING ENGINEERING ORGANIZATION
 SHOULD BE CONTACTED FOR THE LATEST REVISION.

DWN M.GREENER 05JAN2011
 CHK J.AMBROSE 05JAN2011
 APVD J.AMBROSE 05JAN2011

TE Tyco Electronics UK Ltd.
 Bideford, North Devon, EX39 4HE

NAME: **LOW COST PLASTIC D-SUB BACKSHELL**

SIZE: **A300779** CAGE CODE: **C-1991253** DRAWING NO: **1991253** RESTRICTED TO: **C**

CUSTOMER DRAWING SCALE: **NTS** SHEET: **1** OF **1** REV: **A**