

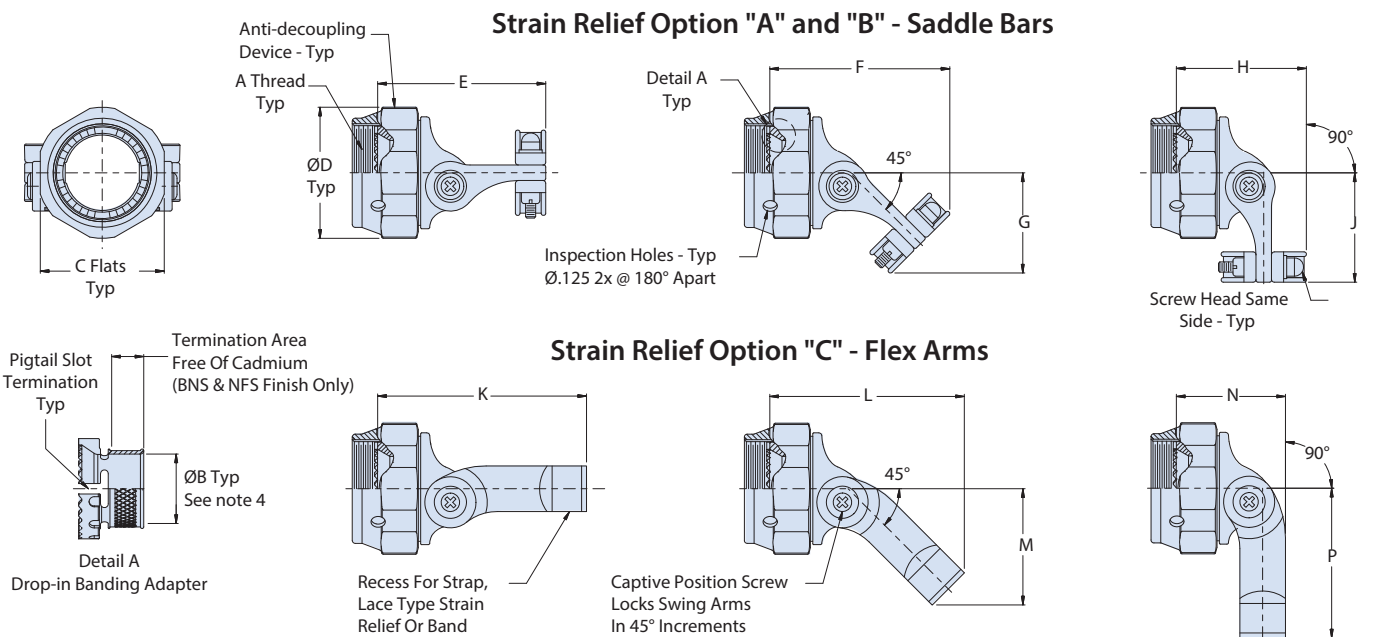
# 620-084 EMI/RFI Swing-Arm™ flex or cable clamp MIL-DTL-38999

Part Number Development						
Sample Part Number	<b>620</b>	<b>H</b>	<b>084</b>	<b>BM</b>	<b>15</b>	<b>A</b>
Product Series	Swing-Arm backshell with drop-in follower					
Connector Designator	H = MIL-DTL-38999 Series III					
Basic Number	<b>084</b>					
Finish	See Material/Finish Table					
Dash Number	See dimensions table					
Strain Relief	A = Standard B = Wide Mouth C = Flex Arms					

Connector Designator H Dimensions					
Dash No	A Thd ISO Metric, 1.0-6H	B DIA	C FLATS		D MAX
			Max	Min	
09	M12	.178 (4.52)	.750 (19.05)	.736 (18.69)	.812 (20.62)
11	M15	.305 (7.75)	.875 (22.23)	.860 (21.84)	.938 (23.83)
13	M18	.404 (10.26)	1.000 (25.40)	.980 (24.89)	1.125 (28.58)
15	M22	.565 (14.35)	1.125 (28.58)	1.100 (27.94)	1.250 (31.75)
17	M25	.658 (16.71)	1.250 (31.75)	1.224 (31.09)	1.375 (34.92)
19	M28	.777 (19.74)	1.375 (34.92)	1.348 (34.24)	1.500 (38.10)
21	M31	.877 (22.28)	1.500 (38.10)	1.469 (37.31)	1.625 (41.28)
23	M34	.999 (25.37)	1.625 (41.28)	1.581 (40.16)	1.750 (44.45)
25	M37	1.127 (28.63)	1.750 (44.45)	1.690 (42.93)	1.875 (47.63)

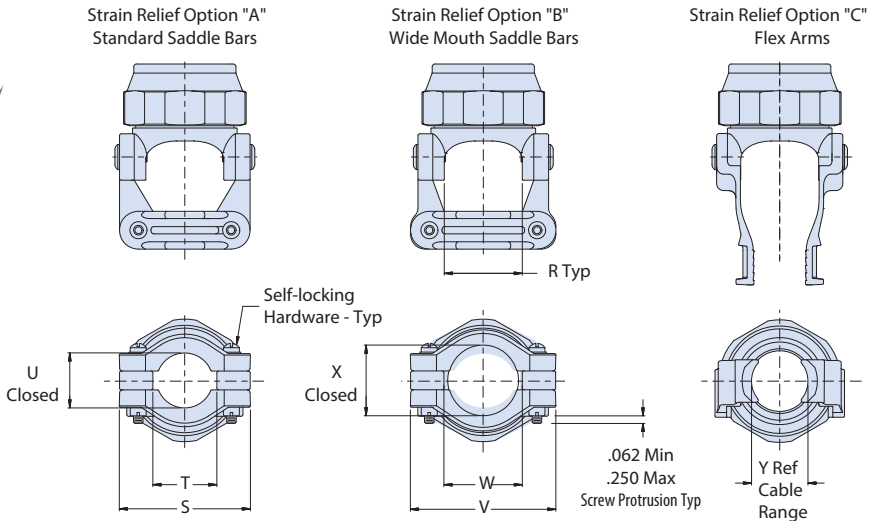
Dimensions										
Dash No	Strain Relief Options "A" and "B"					Strain Relief Option "C"				
	E Max	F Max	G Max	H Max	J Max	K Max	L Max	M Max	N Max	P Max
09	1.51 (38.4)	1.48 (37.6)	.79 (20.1)	1.00 (25.4)	.83 (21.1)	1.77 (45.0)	1.55 (39.4)	.84 (21.3)	.84 (21.3)	1.09 (27.7)
11	1.59 (40.4)	1.59 (40.4)	.89 (22.6)	1.08 (27.4)	.93 (23.6)	1.77 (45.0)	1.55 (39.4)	.87 (22.1)	.84 (21.3)	1.12 (28.4)
13	1.64 (41.7)	1.78 (45.2)	1.04 (26.4)	1.32 (33.5)	1.00 (25.4)	2.06 (52.3)	1.86 (47.2)	1.07 (27.2)	1.01 (25.7)	1.41 (35.8)
15	1.65 (41.9)	1.84 (46.7)	1.07 (27.2)	1.40 (35.6)	1.06 (26.9)	2.06 (52.3)	1.86 (47.2)	1.13 (28.7)	1.01 (25.7)	1.47 (37.3)
17	1.74 (44.2)	1.94 (49.3)	1.13 (28.7)	1.46 (37.1)	1.13 (28.7)	2.26 (57.4)	2.11 (53.6)	1.26 (32.0)	1.18 (30.0)	1.65 (41.9)
19	1.74 (44.2)	2.02 (51.3)	1.18 (30.0)	1.57 (39.9)	1.19 (30.2)	2.26 (57.4)	2.11 (53.6)	1.32 (33.5)	1.18 (30.0)	1.71 (43.4)
21	1.90 (48.3)	2.20 (55.9)	1.31 (33.3)	1.71 (43.4)	1.26 (32.0)	2.73 (69.3)	2.52 (64.0)	1.60 (40.6)	1.33 (33.8)	2.09 (53.1)
23	1.92 (48.8)	2.27 (57.7)	1.36 (34.5)	1.78 (45.2)	1.33 (33.8)	2.73 (69.3)	2.52 (64.0)	1.64 (41.7)	1.33 (33.8)	2.13 (54.1)
25	2.08 (52.8)	2.41 (61.2)	1.48 (37.6)	1.82 (46.2)	1.52 (38.6)	2.94 (74.7)	2.74 (69.6)	1.81 (46.0)	1.43 (36.3)	2.38 (60.5)

## STRAIGHT, 45° AND 90° SWING-ARM WITH DROP-IN EMI/RFI SHIELD TERMINATION BANDING ADAPTER



# 620-084 EMI/RFI Swing-Arm™ flex or cable clamp MIL-DTL-38999

## COMPOSITE SWING-ARM™ BACKSHELL WITH DROP-IN FOLLOWER FLEX ARM OR CABLE CLAMP STRAIN RELIEF TYPES



Dimensions									
Dash No	R Ref	Strain Relief Option							
		"A" - Standard			"B" - Wide Mouth			"C" - Flex Arms	
		S Max	T Min	U Ref	V Max	W Min	X Ref	Y Ref Recommended Cable Range	
09	.393 (9.98)	.97 (24.6)	.22 (5.6)	.264 (6.71)	.98 (24.9)	.33 (8.4)	.356 (9.04)	.264 (6.71)	.098 (2.49)
11	.455 (11.56)	1.03 (26.2)	.29 (7.4)	.310 (7.87)	1.20 (30.5)	.45 (11.4)	.422 (10.72)	.324 (8.23)	.121 (3.07)
13	.598 (15.19)	1.21 (30.7)	.34 (8.6)	.422 (10.72)	1.45 (36.8)	.62 (15.7)	.637 (16.18)	.420 (10.67)	.157 (3.99)
15	.710 (18.03)	1.32 (33.5)	.45 (11.4)	.538 (13.67)	1.54 (39.1)	.68 (17.3)	.707 (17.96)	.564 (14.33)	.210 (5.33)
17	.839 (21.31)	1.45 (36.8)	.55 (14.0)	.590 (14.99)	1.60 (40.6)	.80 (20.3)	.759 (19.28)	.660 (16.76)	.246 (6.25)
19	.934 (23.72)	1.54 (39.1)	.65 (16.5)	.660 (16.76)	1.73 (43.9)	.90 (22.9)	.841 (21.36)	.744 (18.90)	.277 (7.04)
21	1.068 (27.13)	1.67 (42.4)	.74 (18.8)	.744 (18.90)	1.95 (49.5)	1.05 (26.7)	.996 (25.30)	.840 (21.34)	.313 (7.95)
23	1.197 (30.40)	1.79 (45.5)	.87 (22.1)	.826 (20.98)	2.08 (52.8)	1.18 (30.0)	1.060 (26.92)	.936 (23.77)	.349 (8.86)
25	1.323 (33.60)	1.92 (48.8)	.99 (25.1)	.896 (22.76)	2.32 (58.9)	1.30 (33.0)	1.124 (28.55)	1.020 (25.91)	.380 (9.65)

Material/Finish Table				
Sym	Material	Drop-In Adapter Finish/Material	Salt Spray	RoHS
BM	Brass	Electroless nickel	1000 Hour	☑
BN		Cadmium/olive drab over electroless nickel	2000 Hour	
BNS		Cadmium/olive drab over electroless nickel (see detail A)	1000 Hour	
BMT		Nickel/PTFE	1000 Hour	☑
M	Aluminum Alloy	Electroless nickel	48 Hour	☑
NF		Cadmium - olive drab over electroless nickel	1000 Hour	
NFS		Cadmium/olive drab over electroless nickel (see detail A)	1000 Hour	
MT		Nickel - PTFE	1000 Hour	☑

### NOTES

- Glenair 600 series backshell assembly tools are recommended for assembly and installation.
- Swing arm locks in 45° increment
- Screw is captive to the arm when disengaged. When tightened the screw shall not protrude into the inside surfaces.
- "B" diameter may be less than optimum required for fully populated connectors. Consult Glenair engineering.
- Material/finish:
  - Clamp body, coupling nut, arm, saddles: high grade engineering thermoplastic, black/no plating
  - Drop-in banding adapter: see material/finish table
  - Arm/clamp hardware, band: cres/passivate
  - Anti-decoupling device: corrosion resistant material



# Mouser Electronics

Authorized Distributor

Click to View Pricing, Inventory, Delivery & Lifecycle Information:

[Glenair:](#)

[620H084BM09C](#) [620H084BM11C](#) [620H084BM13C](#) [620H084BM15C](#) [620H084BM17C](#) [620H084BM19C](#)  
[620H084BM21C](#) [620H084BM23C](#) [620H084BM25C](#) [600-224-K](#)