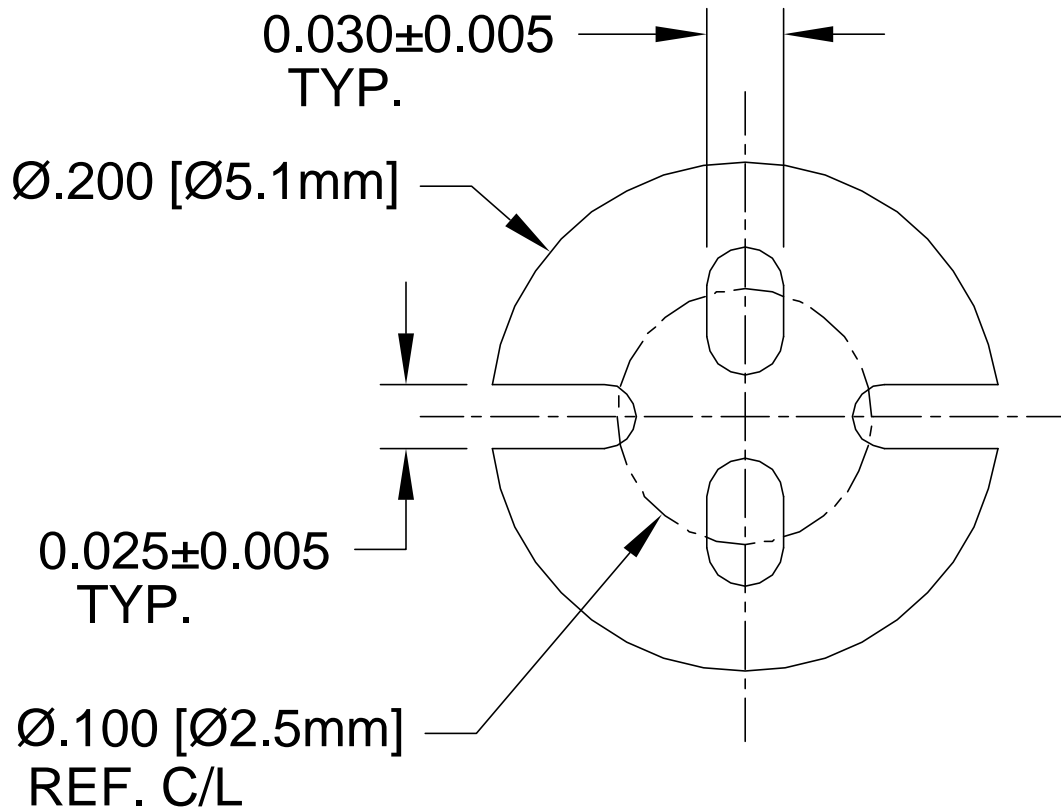


REV.	DESCRIPTION	DATE	APPROVED
E	Engineering Update w/o Changes	02/26/04	M. C.
F	Material Update.	11/10/05	M. C.



3. TOLERANCE "L" DIMENSION:

- 0.030 - 0.500 (1.0 - 12.7mm)±0.005(0.1mm)
- 0.505 - 0.750 (12.8 - 19.1mm)±0.008(0.2mm)
- 0.755 - 1.250 (19.2 - 31.8mm)±0.015(0.4mm)

2. MATERIAL: PVC ALLOY, 94V-0, BLACK. BIVAR MATERIAL CODE 58-BK.
CYBERTECH CYBERSHIELD PVC ALLOY, CS1534WX-BLK02N BLACK.

1. GENERAL SPECIFICATIONS: BIVAR EXTRUDED PRODUCT SPECIFICATION BV00-E105.

STANDARD TOLERANCE (UNLESS OTHERWISE SPECIFIED)		BIVAR®	
DECIMALS	ANGULAR	4 THOMAS, IRVINE, CA. 92618	
.X ±.1	X° ±1°	TEL: (949) 951-8808 FAX: (949) 951-3974	
.XX ±.01		TITLE: EXTRUDED, SELF-RETAINING LED MOUNT	
.XXX ±.005		PART NO: ELM 1	
DESIGNED: Shane Irving	DATE: 02/03/98	REVISION: F	
CHECKED: M. Chen	DATE: 12/17/02	CAGE CODE : 32559 SHEET # 1 OF 1	
CAD GENERATED DOCUMENT. DO NOT MEASURE DRAWING.			

Mouser Electronics

Authorized Distributor

Click to View Pricing, Inventory, Delivery & Lifecycle Information:

BIVAR:

[ELM-1-200](#) [ELM 1-085](#) [ELM 1-090](#) [ELM 1-095](#) [ELM 1-1.000](#) [ELM 1-1.005](#) [ELM 1-1.010](#) [ELM 1-1.015](#) [ELM 1-1.020](#) [ELM 1-1.025](#) [ELM 1-1.030](#) [ELM 1-1.035](#) [ELM 1-1.040](#) [ELM 1-1.045](#) [ELM 1-1.050](#) [ELM 1-1.055](#) [ELM 1-1.060](#) [ELM 1-1.065](#) [ELM 1-1.070](#) [ELM 1-1.075](#) [ELM 1-1.080](#) [ELM 1-1.085](#) [ELM 1-1.090](#) [ELM 1-1.095](#) [ELM 1-1.100](#) [ELM 1-1.105](#) [ELM 1-1.110](#) [ELM 1-1.115](#) [ELM 1-1.120](#) [ELM 1-1.125](#) [ELM 1-1.130](#) [ELM 1-1.135](#) [ELM 1-1.140](#) [ELM 1-1.145](#) [ELM 1-1.150](#) [ELM 1-1.155](#) [ELM 1-1.160](#) [ELM 1-1.165](#) [ELM 1-1.170](#) [ELM 1-1.175](#) [ELM 1-1.180](#) [ELM 1-1.185](#)