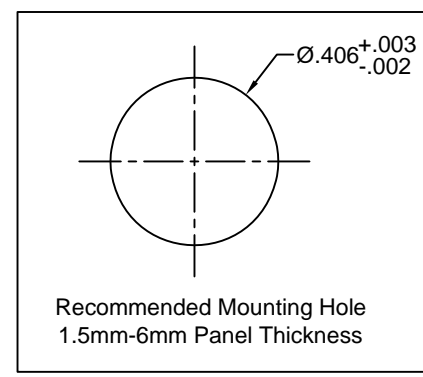
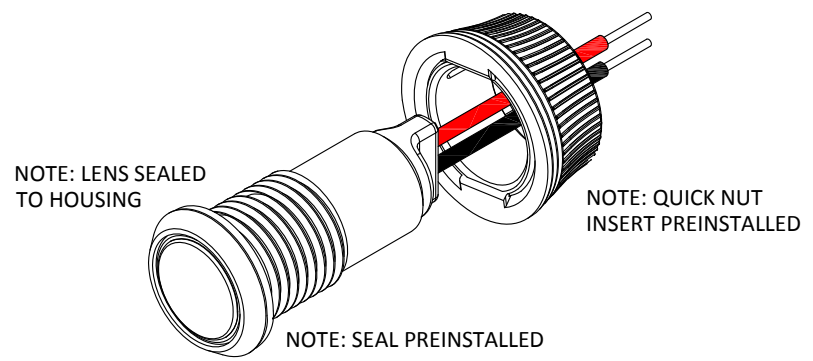
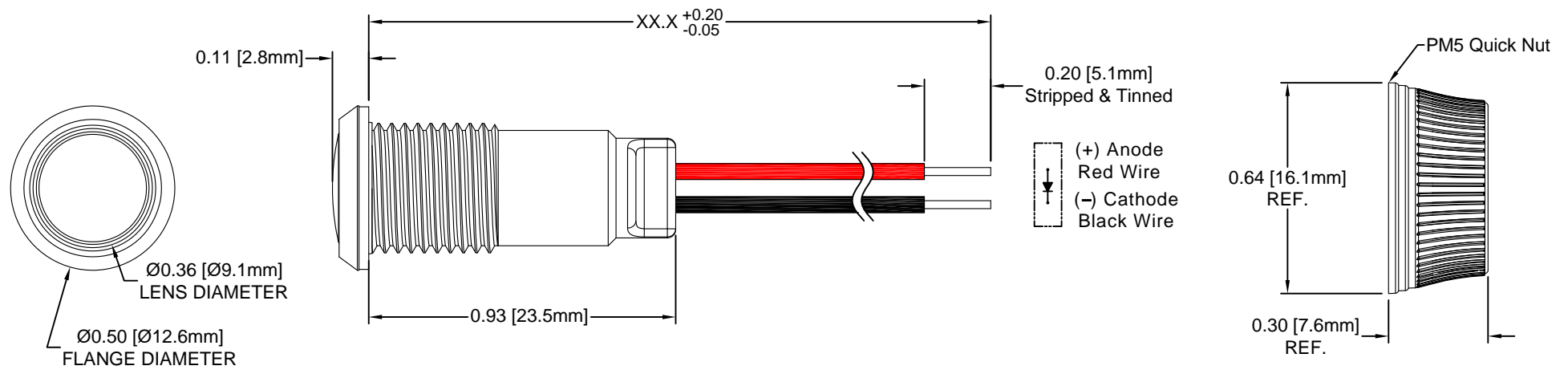


REV.	DESCRIPTION	DATE	APPROVED
A	Engineering Release.	04/29/14	J. C.
B	Updated LED Optical Characteristics.	09/15/15	J. C.



**EXAMPLE:**  
**PM5-KNGDW6.5**

Series

LED Color

Wire Length in 0.5" Increments

**NOTES:**

1. ROHS COMPLIANT
2. MOUNTING HARDWARE SHIPPED NON-ASSEMBLED

STANDARD TOLERANCE (UNLESS OTHERWISE SPECIFIED)		 4 THOMAS, IRVINE, CA. 92618 TEL: (949) 951-8808 FAX: (949) 951-3974	
DECIMALS	ANGULAR		
.X ± .1	X° ± 1°		<b>TITLE:</b> Quick-Mount Panel Mount Indicator w/ Wire
.XX ± .02			
.XXX ± .010		<b>DESIGNED:</b> Alex Wright	<b>DATE:</b> 03/24/14
		<b>CHECKED:</b> Brian Oliver	<b>DATE:</b> 03/24/14
		<b>PART NO:</b> PM5-KNXXXWXX.X	<b>REVISION:</b> B
		<b>CAGE CODE :</b> 32559	<b>SHEET #</b> 1 OF 2
CAD GENERATED DOCUMENT. DO NOT MEASURE DRAWING.			


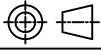
REV.	DESCRIPTION	DATE	APPROVED
	SEE SHEET #1		

Assembly Part Number	LED Part Number	Peak Wave Length $\lambda_p$ (nm)	Emitted Color	Electro-Optical Data @ 20mA		Viewing Angle
				Typ Vf (VDC)	Assembly Iv (mcd)	
				TYP	TYP	
PM5-KNADWXX.X	5AD	605	AMBER	2.0	9	120
PM5-KNBWDWXX.X	5BWD0.345	430	BLUE	3.2	350	120
PM5-KNGDWXX.X	5SGD	568	GREEN	2.1	11	120
PM5-KNRDWXX.X	5SRD	645	RED	1.7	14	120
PM5-KNYDWXX.X	5SYD	590	YELLOW	2.0	105	120

Assembly Part Number	LED Part Number	Color Temperature	Emitted Color	Electro-Optical Data @ 20mA		Viewing Angle
				Typ Vf (VDC)	Assembly Iv (mcd)	
				TYP	TYP	
PM5-KNWDWXX.X	5UWD0.660N	5000K	NEUTRAL WHITE	3.2	394	120

## ABSOLUTE MAXIMUM RATINGS (Ta = 25°C)

MAXIMUM REVERSE VOLTAGE \_\_\_\_\_ 5V  
 MAXIMUM POWER DISSIPATION \_\_\_\_\_ 150 mW  
 OPERATING TEMPERATURE RANGE \_\_\_\_\_ -30°C ~ 85°C  
 STORAGE TEMPERATURE \_\_\_\_\_ -40°C ~ 85°C

STANDARD TOLERANCE (UNLESS OTHERWISE SPECIFIED) DECIMALS                      ANGULAR		 4 THOMAS, IRVINE, CA. 92618 TEL: (949) 951-8808    FAX: (949) 951-3974	
			
DESIGNED: <b>Alex Wright</b>	DATE: <b>03/24/14</b>	<b>TITLE:</b> Quick-Mount Panel Mount Indicator w/ Wire	
CHECKED: <b>Brian Oliver</b>	DATE: <b>03/24/14</b>	<b>PART NO:</b> PM5-KNXXXWXX.X	<b>REVISION:</b> B
		<b>CAGE CODE :</b> 32559	<b>SHEET # 2 OF 2</b>
CAD GENERATED DOCUMENT. DO NOT MEASURE DRAWING.			

# Mouser Electronics

Authorized Distributor

Click to View Pricing, Inventory, Delivery & Lifecycle Information:

[BIVAR:](#)

[PM5-KNWDW12.0](#) [PM5-KNADW12.0](#) [PM5-KNGDW12.0](#) [PM5-KNRDW12.0](#) [PM5-KNBWDW12.0](#) [PM5-KNYDW12.0](#)