

1 Watt

- Dual Output
- SMD Package
- Industry Standard Pinout
- Operating Temperature -40 °C to +105 °C
- 1500 VDC Isolation, 3000 VDC Option
- 3 Year Warranty



Dimensions:

ISA:
0.600 x 0.440 x 0.285" (15.24 x 11.20 x 7.25 mm)

Models & Ratings

Input Voltage	Output Voltage	Output Current	Input Current ⁽²⁾		Maximum Capacitive Load	Efficiency ⁽³⁾	Model Number ⁽⁴⁾
			No Load	Full Load			
2.97-3.63 V	±5 V	±100 mA	25 mA	389 mA	100 µF	78%	ISA0305 ⁽¹⁾
	±12 V	±42 mA	25 mA	389 mA	100 µF	78%	ISA0312 ⁽¹⁾
4.5-5.5 V	±5 V	±100 mA	20 mA	250 mA	100 µF	80%	ISA0505 ⁽¹⁾
	±12 V	±42 mA	20 mA	247 mA	100 µF	81%	ISA0512 ⁽¹⁾
	±15 V	±33 mA	20 mA	247 mA	100 µF	81%	ISA0515 ⁽¹⁾
10.8-13.2 V	±5 V	±100 mA	15 mA	104 mA	100 µF	80%	ISA1205 ⁽¹⁾
	±9 V	±56 mA	15 mA	104 mA	100 µF	80%	ISA1209 ⁽¹⁾
	±12 V	±42 mA	15 mA	103 mA	100 µF	81%	ISA1212 ⁽¹⁾
	±15 V	±33 mA	15 mA	103 mA	100 µF	81%	ISA1215 ⁽¹⁾
	±24 V	±21 mA	15 mA	103 mA	100 µF	81%	ISA1224 ⁽¹⁾
13.5-16.5 V	±15 V	±33 mA	12 mA	83 mA	100 µF	81%	ISA1515 ⁽¹⁾
21.6-26.4 V	±5 V	±100 mA	10 mA	52 mA	100 µF	80%	ISA2405 ⁽¹⁾
	±9 V	±56 mA	10 mA	52 mA	100 µF	80%	ISA2409 ⁽¹⁾
	±12 V	±42 mA	10 mA	51 mA	100 µF	81%	ISA2412 ⁽¹⁾
	±15 V	±33 mA	10 mA	51 mA	100 µF	82%	ISA2415 ⁽¹⁾
	±24 V	±21 mA	10 mA	51 mA	100 µF	82%	ISA2424 ⁽¹⁾

Notes

1. For optional 3000 VDC isolation add suffix '-H' to end of part number e.g. ISA1224-H.

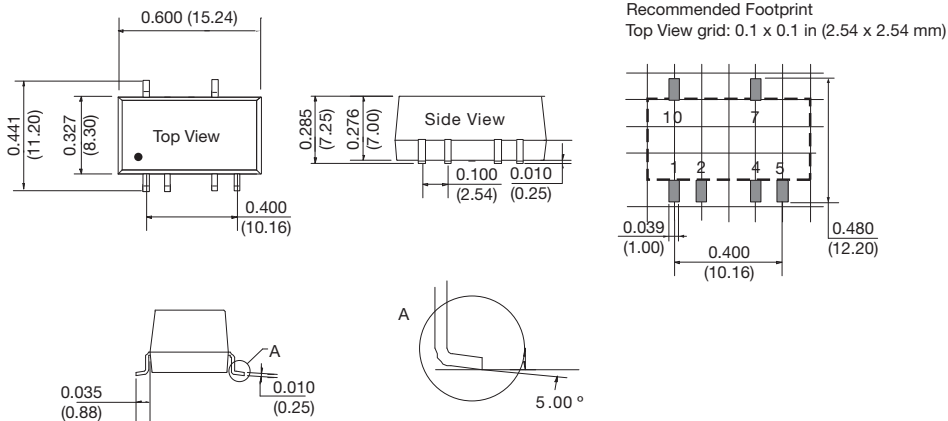
Note: not all options available. Please check with XP Sales.

2. Input currents measured at nominal input voltage.

3. Typical value at full load.

4. For optional tape & reel option add suffix -TR to the end of the p/n.
Reel quantity = 500

Mechanical Details



PIN CONNECTIONS	
Pin	Function
1	GND
2	+Vin
4	0 V
5	-Vout
7	+Vout
10	No Connection

Notes

1. All dimensions are in inches (mm)
2. Weight: 0.004 lbs (1.8 g) typical.
3. Pin diameter: 0.02 ±0.002 (0.5 ±0.005)
4. Pin pitch and length tolerance: ±0.014 (±0.35)
5. Case tolerance: ±0.02 (±0.5)

Input

Characteristic	Minimum	Typical	Maximum	Units	Notes & Conditions
Input Voltage Range	2.97		3.63	VDC	3.3 V nominal
	4.50		5.50	VDC	5 V nominal
	10.80		13.20	VDC	12 V nominal
	13.50		16.50	VDC	15 V nominal
	21.60		26.40	VDC	24 V nominal
Input Current					See Models and Ratings table
Input Reflected Ripple		15		mA pk-pk	Through 12 μ H inductor and 47 μ F capacitor
Input Surge			5	VDC for 15 ms	3.3 V models
			9	VDC for 15 ms	5 V models
			18	VDC for 15 ms	12 V models
			21	VDC for 15 ms	15 V models
			30	VDC for 15 ms	24 V models
Input Filter	Capacitor				

Output

Characteristic	Minimum	Typical	Maximum	Units	Notes & Conditions
Output Voltage	± 5		± 24	VDC	See Models and Ratings table
Output Voltage Balance			± 2	%	Dual output models
Initial Set Accuracy			± 3.0	%	At 100% load
Minimum Load	10			%	
Line Regulation			± 1.2	%	Per 1% change of input voltage
Load Regulation				%	See graph
Cross Regulation			± 5.0	%	Dual output models when one load is varied between 25% and 100% and the other is fixed at 100% load
Start Up Delay		2		ms	
Ripple and Noise			60	mV pk-pk	20 MHz bandwidth, measured using 0.1 μ F capacitor
Transient Response			3	% deviation	Recovery to within 1% in 500 μ s for a 25% load change (5% max. deviation for 3.3 & 5 V models)
Short Circuit Protection					Continuous, with auto recovery, except 1 s max for 24 input V models
Maximum Capacitive Load					
Temperature Coefficient			0.02	%/°C	

General

Characteristic	Minimum	Typical	Maximum	Units	Notes & Conditions
Efficiency					See Models and Ratings table
Isolation: Input to Output	1500			VDC	For optional high isolation versions, 3000 VDC input to output add suffix -H to model number
Switching Frequency	50		300	kHz	
Isolation Resistance	10^9			Ω	Input to output, tested at 500 VDC
Isolation Capacitance		20		pF	Input to output
Power Density			13	Win ³	
Mean Time Between Failure	3500			kHrs	MIL-HDBK-217F, +25 °C GB
Weight		0.004 (1.8)		lb (g)	
Recommended Solder Profile	IPC/JEDEC J-STD-020D.1				

Environmental

Characteristic	Minimum	Typical	Maximum	Units	Notes & Conditions
Operating Temperature	-40		+105	°C	Derate from 100% load at +100 °C to 80% load at 105 °C
Storage Temperature	-55		+125	°C	
Case Temperature			+105	°C	
Operating Humidity			95	% RH	Non-condensing
Cooling					Natural convection

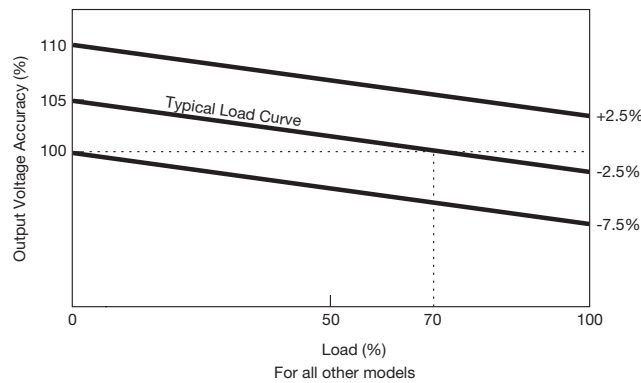
EMC: Emissions

Phenomenon	Standard	Test Level	Notes & Conditions
Conducted	EN55022	Class B	See Application Note for Class B filter
Radiated	EN55022	Class B	See Application Note for Class B filter

EMC: Immunity

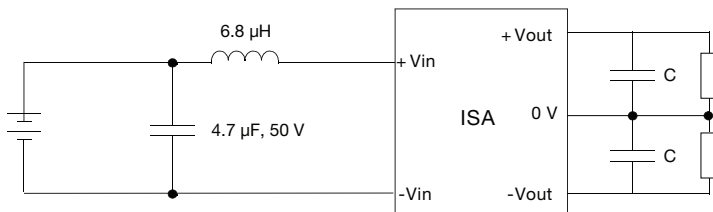
Phenomenon	Standard	Test Level	Criteria	Notes & Conditions
ESD Immunity	EN61000-4-2	3	B	
Radiated Immunity	EN61000-4-3	3 V/m	A	
EFT/Burst	EN61000-4-4	2	B	External input capacitor required, 330 μ F/100 V
Surge	EN61000-4-5	2	B	External input capacitor required, 330 μ F/100 V
Conducted Immunity	EN61000-4-6	3 V rms	A	
Magnetic Fields	EN61000-4-8	1 A/m	A	

Load Regulation



Application Note

EMI Filter for Class B Emissions



Output Voltage	C1
± 5	4.70 μ F
± 9	2.20 μ F
± 12	1.00 μ F
± 15	1.00 μ F
± 24	0.47 μ F

Mouser Electronics

Authorized Distributor

Click to View Pricing, Inventory, Delivery & Lifecycle Information:

[XP Power:](#)

[ISA0305-H-TR](#) [ISA1215-TR](#) [ISA1515-H](#) [ISA0524-H-TR](#) [ISA2409-H](#) [ISA2412-H](#) [ISA0315](#) [ISA2424-H](#) [ISA2412-TR](#)
[ISA1215](#) [ISA0515-TR](#) [ISA0305-TR](#) [ISA0305](#) [ISA1209](#) [ISA1212-H-TR](#) [ISA2412](#) [ISA2415-H-TR](#) [ISA0509](#)
[ISA2415-TR](#) [ISA2424-H-TR](#) [ISA0505](#) [ISA1215-H](#) [ISA1205](#) [ISA2415](#) [ISA1215-H-TR](#) [ISA0305-H](#) [ISA0312-H-TR](#)
[ISA0312-H](#) [ISA2405-TR](#) [ISA0515-H-TR](#) [ISA0515](#) [ISA2424-TR](#) [ISA0512-H](#) [ISA1209-H-TR](#) [ISA0312-TR](#) [ISA0512-H-](#)
[TR](#) [ISA0512](#) [ISA1209-H](#) [ISA1205-H-TR](#) [ISA0312](#) [ISA2409-TR](#) [ISA0315-TR](#) [ISA2409-H-TR](#) [ISA1224-H-TR](#)
[ISA0509-TR](#) [ISA1515](#) [ISA0512-TR](#) [ISA2409](#) [ISA0505-H-TR](#) [ISA0505-TR](#) [ISA1224-TR](#) [ISA0524](#) [ISA1224-H](#)
[ISA1212-H](#) [ISA0509-H-TR](#) [ISA0515-H](#) [ISA2415-H](#) [ISA1205-H](#) [ISA0509-H](#) [ISA1205-TR](#) [ISA2405-H-TR](#) [ISA1209-TR](#)
[ISA2405](#) [ISA1212](#) [ISA2405-H](#) [ISA1515-H-TR](#) [ISA1515-TR](#) [ISA2424](#) [ISA0505-H](#) [ISA0524-TR](#) [ISA1224](#) [ISA0524-](#)
[H](#) [ISA2412-H-TR](#) [ISA1212-TR](#) [IAS0105D24](#) [IAS0105D09](#) [IAS0105D05](#) [IAS0105D15](#) [IAS0105D12](#)