

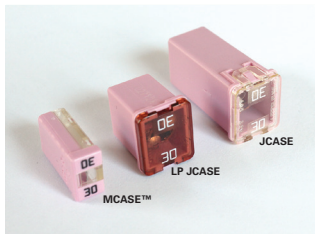
MCASE™ Cartridge Fuses

MCASE™ Cartridge Fuses Rated 32V

The MCASE™ is a cartridge style fuse with female terminals for 2.8 mm male terminals. It has a miniaturized footprint for optimal usage of space. It is a time delayed fuse and can handle inrush currents.

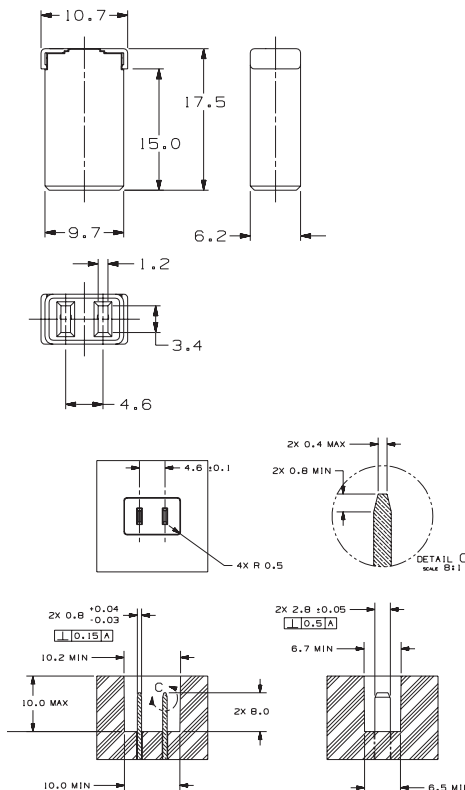
Specifications

Voltage Rating:	32 VDC
Interrupting Ratings:	1000A @ 32 VDC
Operating Temperature Range:	-40°C to +125°C
Housing Material:	PPA-GF33
Cover Material:	PA66
Insertion Force:	50N (11.2lbf) Typical
Extraction Force:	4N Min. (0.9 lb.) 24.5N Max. (5.5 lb)
Conforms to:	SAE 2741 and ISO 8820-4 in reference to electrical, mechanical and environmental performance requirements



Dimensions

Dimensions in mm



Ordering Information

Part Number	Package Size
0695xxx.PX4	2000
0695xxx.U	500
0695xxx.L	50

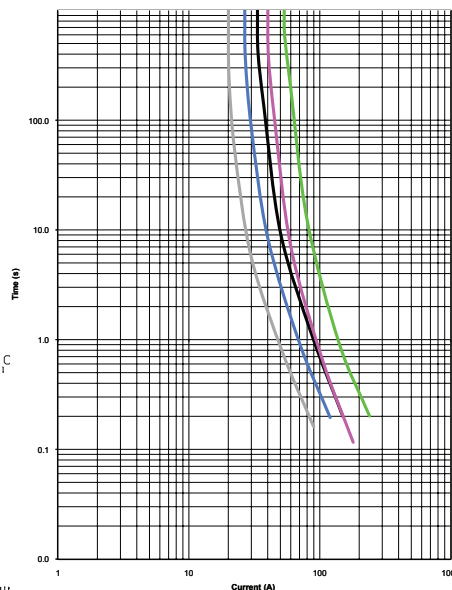
Time-Current Characteristics

% of Rating	Opening Time Min / Max (s)
110	100 hrs / -
135	60 s / 1800 s
200	2 s / 60 s
350	0.2 s / 7 s
600	0.04 s / 1 s

Ratings

Part Number	Current Rating (A)	Housing Material Color	Max. Voltage Drop (mV)	Cold Resistance (mΩ)	I ² t (A ² s)
0695015_	15	Grey	125	4.9	160
0695020_	20	Blue	125	3.5	530
0695025_	25	Yellow	125	2.3	1140
0695030_	30	Pink	120	1.8	970
0695040_	40	Green	120	1.3	2950

Time-Current Characteristic Curves



Temperature Derating Curve



Littelfuse products are not designed for, and shall not be used for, any purpose (including, without limitation, automotive, military, aerospace, medical, life-saving, life-sustaining or nuclear facility applications, devices intended for surgical implant into the body, or any other application in which the failure or lack of desired operation of the product may result in personal injury, death, or property damage) other than those expressly set forth in applicable Littelfuse product documentation. Warranties granted by Littelfuse shall be deemed void for products used for any purpose not expressly set forth in applicable Littelfuse documentation. Littelfuse shall not be liable for any claims or damages arising out of products used in applications not expressly intended by Littelfuse as set forth in applicable Littelfuse documentation. The sale and use of Littelfuse products is subject to Littelfuse Terms and Conditions of Sale, unless otherwise agreed by Littelfuse.

Mouser Electronics

Authorized Distributor

Click to View Pricing, Inventory, Delivery & Lifecycle Information:

Littelfuse:

[0695015.PX4](#) [0695020.PX4](#) [0695025.PX4](#) [0695030.PX4](#) [0695040.PX4](#) [0695015.L](#) [0695015.U](#) [0695030.U](#)
[0695025.U](#) [0695040.U](#) [0695025.L](#) [0695030.L](#) [0695040.L](#) [0695020.L](#) [0695020.U](#)