



LPCR Series 0.171" (4.34mm) Press Fit, Low Profile, Fresnel Lens Vertical Rigid Light Pipe

LPCR Series litepipe™ features fresnel lens round surface for super wide viewing angle at 160 degrees

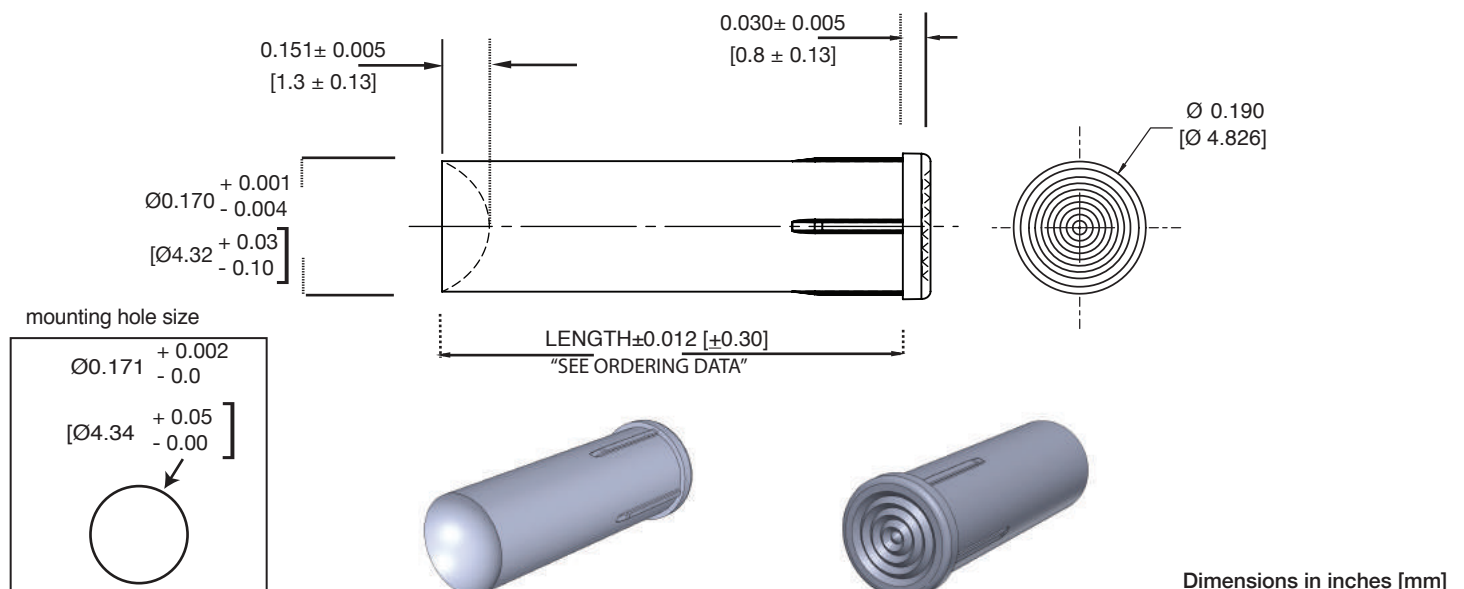
Applications

- audio/video
- communication
- dark room equipment
- electrical panels
- entertainment
- industrial
- medical
- IoT
- security
- studio control
- transportation

Key Features

- for use with surface-mount or through-hole LEDs
- optical grade polycarbonate for maximum light transmission
- low profile, flush panel design
- wide viewing angle at 160 degrees
- fresnel lens provides more uniform brightness
- press fit (front panel mount) with crushable ribs that simplifies installation
- no physical connection between light pipe and LED provides versatility for assembly
- standard lengths from 0.125" to 1.000"
- custom lengths available
- RTN_150 and RTN_250 retainers provide a reliable solution for high-vibration environments (optional)

Dimensions



Product Specifications

Material
Polycarbonate, clear, UL 94-V0

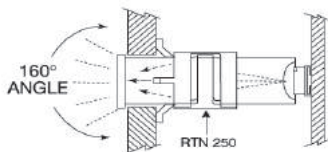
Recommended Installation Specifications	
mounting hole	0.171" + 0.002" (4.34mm + 0.05mm)
panel thickness	0.040" (1.02mm) to 0.093" (2.36mm)

Recommendation: Maximum (clearance) between LED and light pipe:
 • 0.050" [1.3mm]

Ordering Data and Optional Accessory

LPCR CTP

	Length
012	0.125" (3.2mm)
025	0.250" (6.4mm)
035	0.350" (8.9mm)
037	0.375" (9.5mm)
050	0.500" (12.7mm)
063	0.625" (15.9mm)
075	0.750" (19.0mm)
100	1.000" (25.4mm)



Retainers for Light Pipe (order separately):

- recommended for high vibration applications
- secure and uniform placement of the light pipe to the panel
- field-proven design

RTN_150

Length from 0.250" to 0.500"

Grommet for LPCR Series Light Pipe



RTN_250

Length from 0.500" to 1.000"

Spring retainer for LPCR Series Light Pipe



Compliances and Approvals



Mouser Electronics

Authorized Distributor

Click to View Pricing, Inventory, Delivery & Lifecycle Information:

VCC:

[LPCR075CTP](#) [LPCR050CTP](#) [LPCR063CTP](#) [LPCR025CTP](#) [LPCR100CTP](#) [LPCR035CTP](#) [LPCR037CTP](#)
[LPCR012CTP](#)