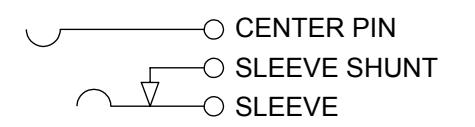
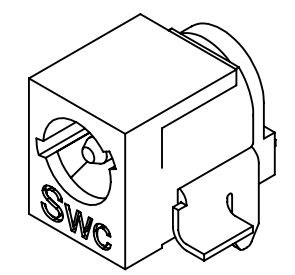


SECTION A-A



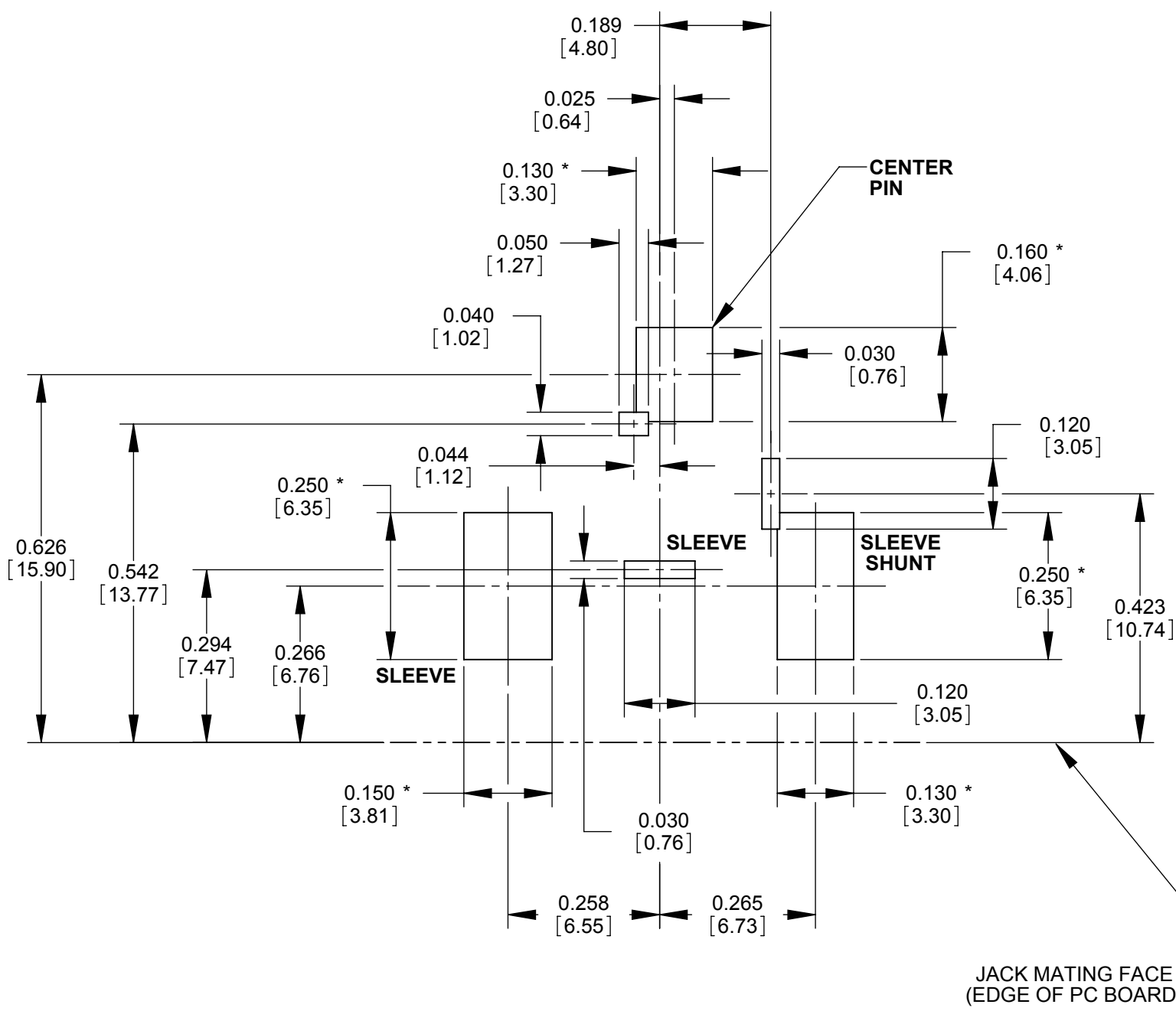
SCHEMATIC

NOTES:

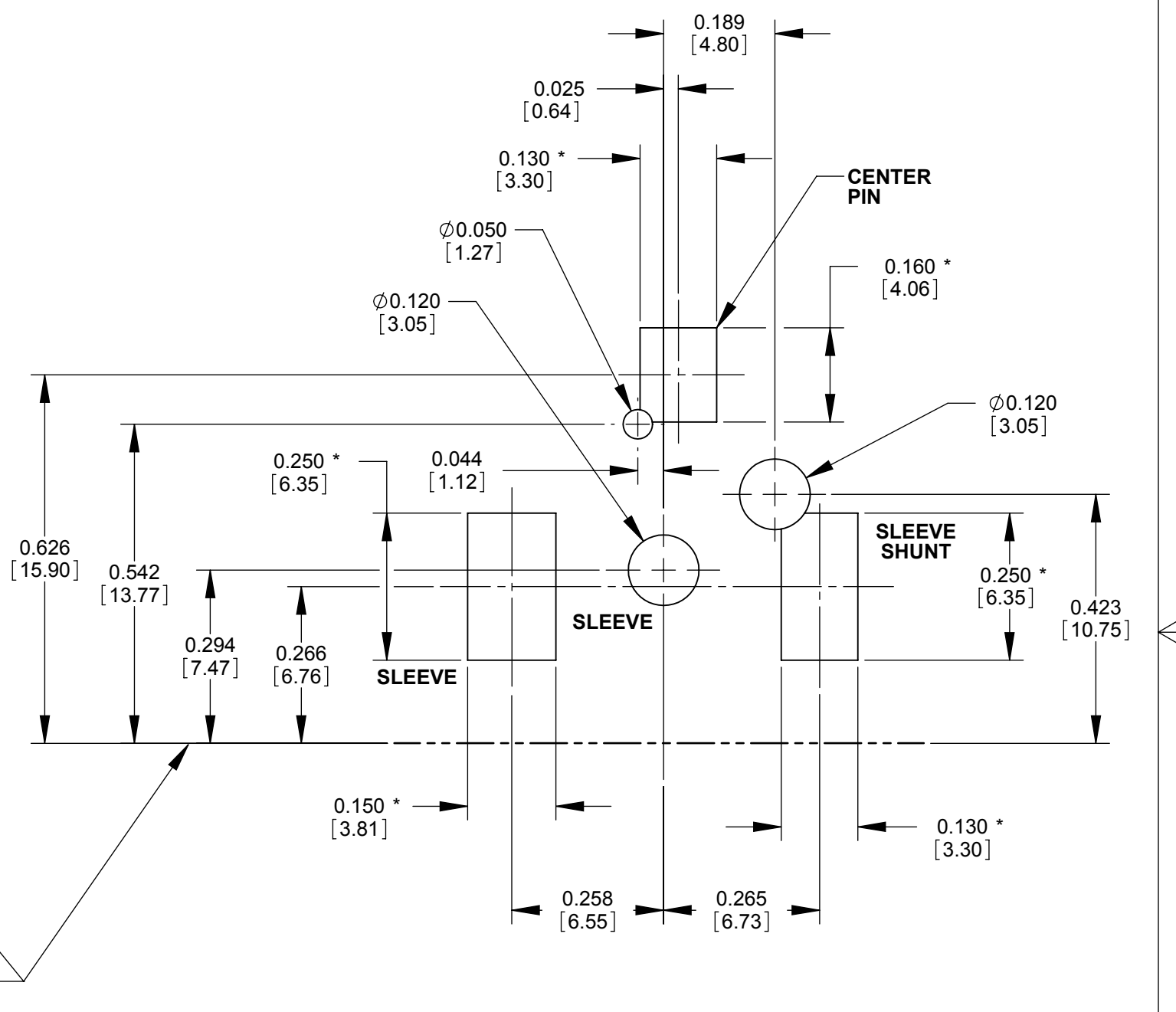
1. THIS PRODUCT IS RoHS COMPLIANT.
2. MATERIALS:
 CENTER PIN: COPPER ALLOY, NICKEL PLATED
 SLEEVE CONTACT: SPRING COPPER ALLOY, SILVER PLATED
 PIN TERMINAL AND SHUNT: COPPER ALLOY, SILVER PLATED
 HOUSING AND COVER: HIGH TEMPERATURE THERMOPLASTIC, BLACK
3. SPECIFICATIONS:
 LIFE: 5000 CYCLES;
 INSERTION FORCE: 5LB [2.3 KG] MAX;
 WITHDRAWL FORCE: 0.5 LB [0.2 KG] MIN;
 CONTACT RESISTANCE: 30 MILLIOHM MAX, 60 MILLIOHM MAX. AFTER TEST;
 INSULATION RESISTANCE: 30 MEGAOHM MIN. @ 100VDC;
 DIELECTRIC WITHSTANDING VOLTAGE: 250VAC FOR 1 MINUTE;
 CURRENT (CARRYING): 5A
 OPERATING TEMPERATURE: -30°C TO +65°C

CUSTOMER DRAWING

STAR SYMBOL DENOTES CRITICAL DIMENSION UNLESS OTHERWISE SPECIFIED 1. ALL DIMENSIONS IN INCHES [mm] - TWO PLACE DECIMALS ±0.02 [0.5] - THREE PLACE DECIMALS ±0.005 [0.13]					THIS DRAWING DESCRIBES A DESIGN CONSIDERED PROPRIETARY IN NATURE, DEVELOPED AND MANUFACTURED BY SWITCHCRAFT INC. AND IS RELEASED ON A CONFIDENTIAL BASIS FOR IDENTIFICATION PURPOSES ONLY.				
					SIZE	WIDTH	MULT	LBS/M	TEMPER
REVISIONS A 28064 08-30-18 PC TJK REV ECO NUMBER DATE BY APVD					FINISH SPEC No.		MATERIAL SPEC No.		
					FIRST USED ON		SCALE 4:1		
DATE DRAWN 10-12-17		BY SRC	CHKD TJK 8/27/18	APVD TJK 8/27/18					
DO NOT SCALE DRAWING								NAME LOCKING POWER JACK, Ø 0.08 [2.0mm] SURFACE MOUNT/PC HYBRID, RoHS	



RECOMMENDED PC BOARD LAYOUT
(COMPONENT SIDE)



ALTERNATE PC BOARD LAYOUT
(COMPONENT SIDE)

JACK MATING FACE
(EDGE OF PC BOARD)

NOTE: * SURFACE MOUNT PADS.

CUSTOMER DRAWING

SCALE 4:1	Switchcraft [®]	
DATE DRAWN 10-12-17		
DRAWN BY SRC	TOOL No. RASH722BKZ	REV A

SolidWorks CAD File **B**

Mouser Electronics

Authorized Distributor

Click to View Pricing, Inventory, Delivery & Lifecycle Information:

[Switchcraft:](#)

[RASH722BKZ](#)