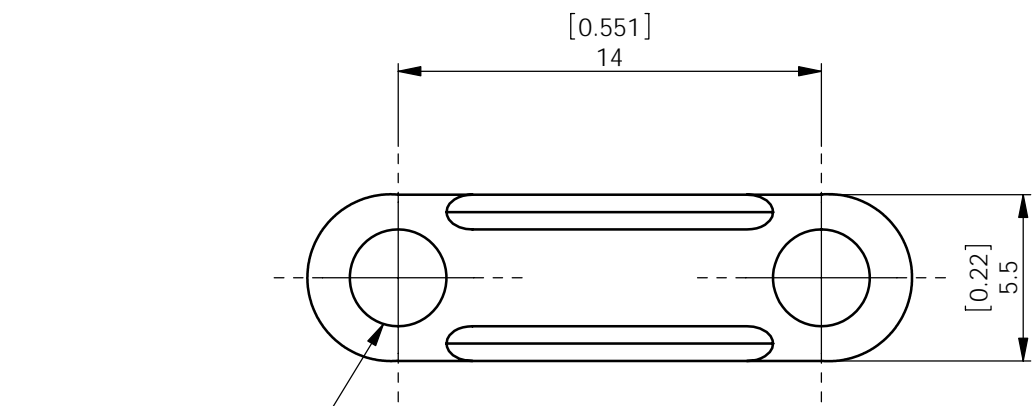
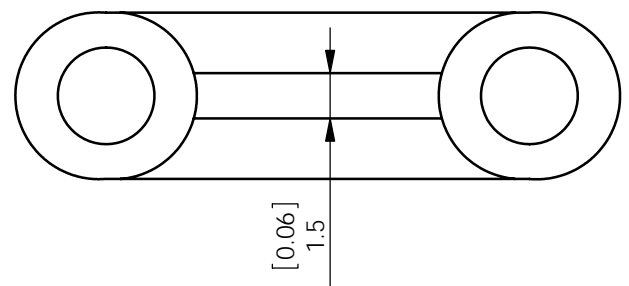
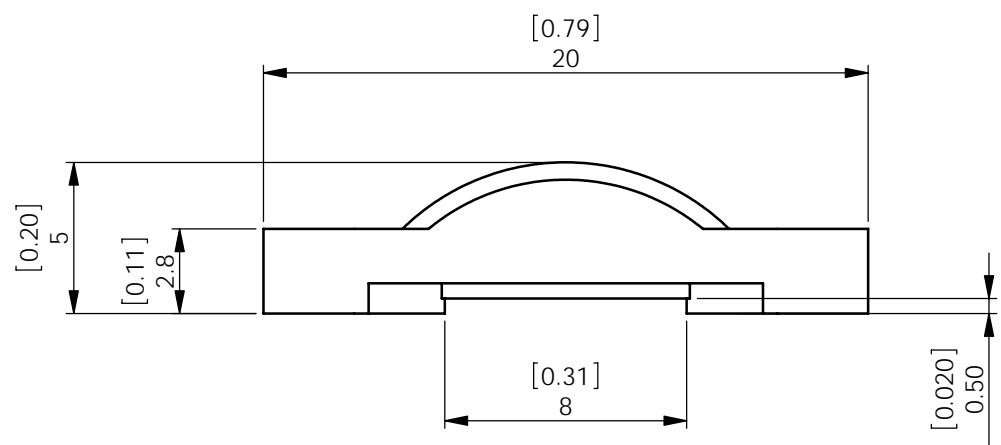


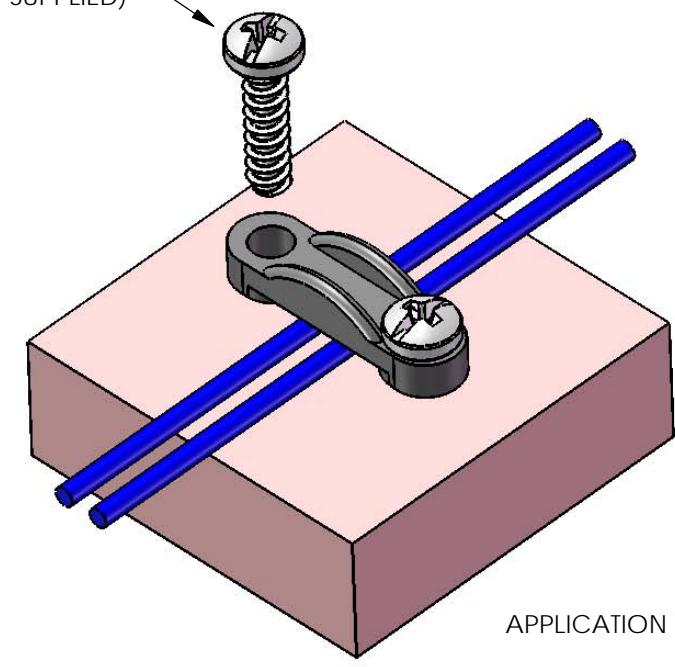
REV.	MODIFICATION.	DATE	DRN
02	ECN 2008-022	04/02/08	TC



FIXING HOLES -
DIAMETER 3.20 [0.126]



TO ACCOMMODATE
2x M3 [#3] FLAT HEAD
SCREWS (NOT SUPPLIED)



APPLICATION VIEW

INFORMATION CONTAINED IN THIS DOCUMENT IS CONFIDENTIAL TO RICHCO INTERNATIONAL Co. Ltd. AND MAY NOT BE DISCLOSED OR REPRODUCED IN WHOLE OR PART WITHOUT THEIR WRITTEN CONSENT.

	ALL DIMENSIONS IN mm & [INCH] GENERAL TOLERANCES ±0.25 [.010] UNLESS OTHERWISE STATED 1 DECIMAL PLACE ±0.25 [.010] 2 DECIMAL PLACES ± 0.10 [.004] ANGULAR ±1°	THIRD ANGLE
--	--	--------------------

MATERIAL: NYLON 6/6 UL94 V-2 (RMS-01)	COLOUR: BLACK
--	------------------

DESCRIPTION: NPR 2004-448	PART No: SRCC-2
------------------------------	--------------------

DRG No: 05-104	NPR No: 2004-448	Mass:(g) 0.35	SHEET SIZE A4
-------------------	---------------------	------------------	------------------

DRN NJB	DATE 05/01/05	CHKD NBR	DATE 05/01/05	SCALE NTS	SHEET No. 1 OF 1
------------	------------------	-------------	------------------	--------------	---------------------

Mouser Electronics

Authorized Distributor

Click to View Pricing, Inventory, Delivery & Lifecycle Information:

[Essentra:](#)

[SRCC-2](#)