

875 Series Fuse, Lead-free 3.6×10 mm, Slo-Blo® Fuse



Description

Single Pigtail Axial Lead 3.6×10mm, Slo-Blo® Fuse

Features

- Designed to UL/CSA 248 Standard
- Single Pigtail Axial Lead format
- Slo-Blo® Fuse, ceramic body fuse in a compact package
- Pb-free and RoHS Compliant
- Available in ratings of 0.10 to 10 Amperes

Applications

This space saving fuse is ideally suited for lighting, power supply, and adapter applications.

Agency Approvals

Agency	Agency File Number	Ampere Range
	E10480	0.100A - 10 A

Additional Information



Datashheet



Resources




Samples

Electrical Characteristics

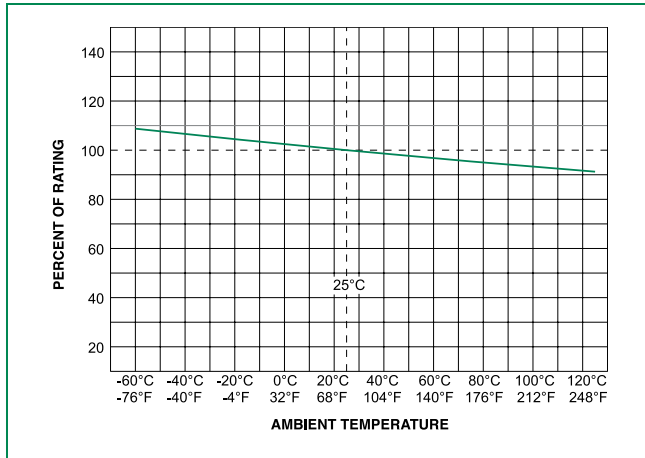
% of Ampere Rating	Opening Time
100%	4 hours, Minimum
200%	60 seconds, Maximum

Electrical Characteristics

Amp Code	Ampere Rating (A)	Voltage Rating (V)	Interrupting Rating	Nominal Cold Resistance (Ohms)	Nominal Melting I ² t (A ² sec)	Agency Approvals 
.100	0.100	250	50A @ 250 VAC	3.000	0.0023	x
.125	0.125	250		2.060	0.0072	x
.200	0.200	250		0.921	0.0086	x
.250	0.250	250		0.6575	0.038	x
.300	0.300	250		0.435	0.043	x
.400	0.400	250		0.321	0.136	x
.500	0.500	250		0.256	0.288	x
.600	0.600	250		0.151	0.611	x
.800	0.800	250		0.116	0.919	x
001.	1.00	250		0.095	1.503	x
01.5	1.50	250		0.0519	4.33	x
01.6	1.60	250		0.0476	5.08	x
002.	2.00	250		0.02887	8.45	x
02.5	2.50	250		0.02246	17.85	x
003.	3.00	250		0.0171	42.85	x
004.	4.00	250		0.0135	42.45	x
005.	5.00	250		0.00954	60.90	x
006.	6.00	250		0.00891	72.30	x
007.	7.00	250		0.008	106.80	x
008.	8.00	250		0.0077	134.59	x
010.	10.00	250	0.00675	208.00	x	

Notes:
Cold resistance measured at less than 10% of rated current at 23°C.

Temperature Re-rating Curve



Note:
 1. Rerating depicted in this curve is in addition to the standard derating of 25% for continuous operation.

Average Time Current Curves



Soldering Parameters - Wave Soldering



Recommended Process Parameters:

Wave Parameter	Lead-Free Recommendation
Preheat: (Depends on Flux Activation Temperature)	(Typical Industry Recommendation)
Temperature Minimum:	100°C
Temperature Maximum:	150°C
Preheat Time:	60-180 seconds
Solder Pot Temperature:	260°C Maximum
Solder Dwell Time:	2-5 seconds

Recommended Hand-Solder Parameters:

Solder Iron Temperature: 350°C +/- 5°C
 Heating Time: 5 seconds max.

Note: These devices are not recommended for IR or Convection Reflow process.

Product Characteristics

Materials	Body: Ceramic Cap: Nickel Plated Brass Tin Plated Copper
Terminal Strength	MIL-STD-202, Method 211, Test Condition A
Solderability	MIL-STD-202, Method 208
Product Marketing	Body: Brand Logo, Current Rating Characteristic "T", Agency approval marks
Packaging	Bulk (1000 pcs/pkg) Tape & Reel (1000 pcs/reel)

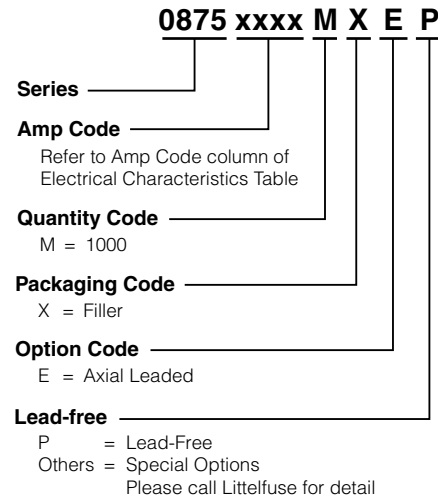
Operating Temperature	-55°C to 125°C
Thermal Shock	MIL-STD-202, Method 107 Test Condition B3 (5 cycles -65°C to +125°C)
Vibration	MIL-STD-202, Method 201 (10-55 Hz)
Humidity	MIL-STD-202, Method 106, High Humidity (90-98%RH), Heat (65°C)
Salt Spray	MIL-STD-202, Method 101, Test Condition B

Dimensions



All dimensions in mm

Part Numbering System



Packaging

Packaging Option	Packaging Specification	Quantity	Quantity & Packaging Code	Taping Width
875 Series				
Bulk	Bulk	1000	MXE	N/A
Tape and Reel	EIA 296	1000	MRET1	T1 = 52mm (2.062")

Mouser Electronics

Authorized Distributor

Click to View Pricing, Inventory, Delivery & Lifecycle Information:

Littelfuse:

[0875006.MRET1P](#) [0875006.MXEP](#) [0875007.MRET1P](#) [0875007.MXEP](#) [0875008.MRET1P](#) [0875010.MRET1P](#)
[0875010.MXEP](#) [0875002.MRET1P](#) [0875001.MRET1P](#) [0875.300MRET1P](#) [087501.5MXEP](#) [087502.5MXEP](#)
[0875.200MRET1P](#) [087502.5MRET1P](#) [0875002.MXEP](#) [0875.800MXEP](#) [0875.600MRET1P](#) [0875.250MRET1P](#)
[0875001.MXEP](#) [0875.500MRET1P](#) [0875.400MRET1P](#) [0875003.MXEP](#) [0875.600MXEP](#) [0875.800MRET1P](#)
[0875.500MXEP](#) [0875004.MXEP](#) [0875.200MXEP](#) [0875.100MXEP](#) [0875005.MXEP](#) [087501.5MRET1P](#)
[0875.400MXEP](#) [0875.300MXEP](#) [087501.6MRET1P](#) [0875.125MRET1P](#) [087501.6MXEP](#) [0875.100MRET1P](#)
[0875005.MRET1P](#) [0875003.MRET1P](#) [0875.250MXEP](#) [0875004.MRET1P](#) [0875.125MXEP](#) [0875008.MXEP](#)