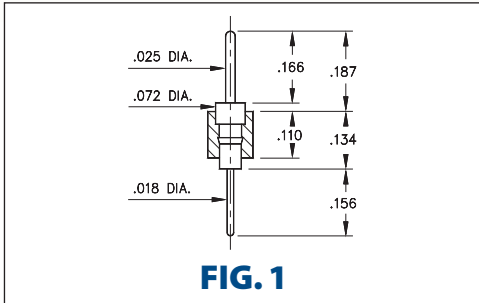
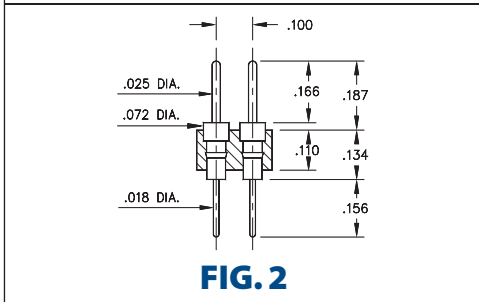


# INTERCONNECTS

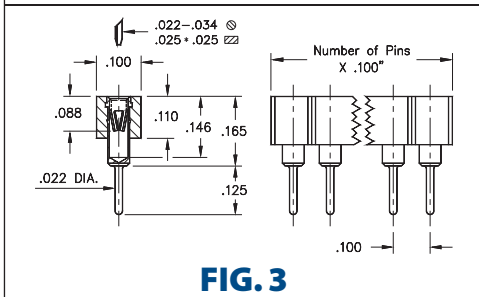
## SERIES 350, 450, 801, 803 • .100" GRID (.025" DIA. PINS), LOW PROFILE HEADERS & VERSATILE SOCKETS • SINGLE & DOUBLE ROW STRIPS



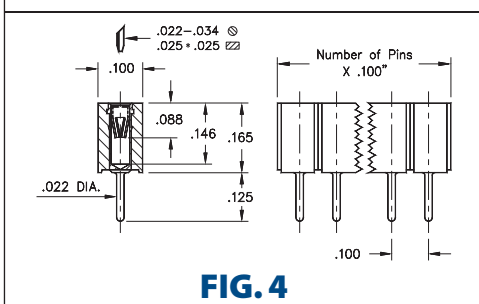
**FIG. 1**



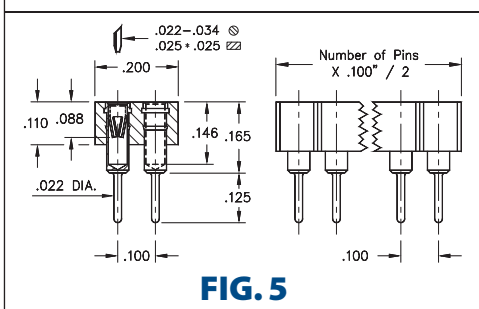
**FIG. 2**



**FIG. 3**

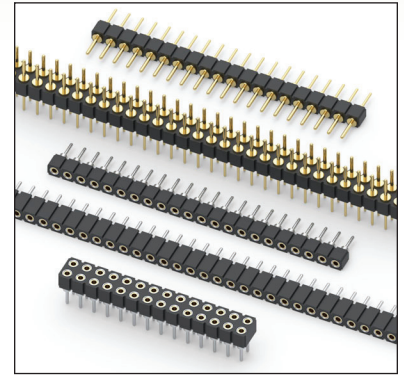


**FIG. 4**



**FIG. 5**

- Series 350 and 450 single and double row pin headers use MM #0290 pins. See page 215 for details
- Series 801 and 803 single and double row low profile sockets use MM #1303 receptacles. See page 180 for details
- Series 801 and 803 receptacles use Hi-Rel, 6-finger BeCu #16 contact rated at 4.5 amps. Receptacles accept .025" diameter and .025" square pins. See page 256 for details
- Insulators are high temperature thermoplastic, suitable for all soldering operations



### ORDERING INFORMATION

<b>FIG. 1</b>	<b>Series 350...001</b> <b>Single Row .025" Pin / .018" Solder Tail</b>																					
	350-XX-1__-00-001000 Specify number of pins    01-64																					
<b>FIG. 2</b>	<b>Series 450...001</b> <b>Double Row .025" Pin / .018" Solder Tail</b>																					
	450-XX-2__-00-001000 Specify number of pins    04-64																					
<div style="display: flex; justify-content: space-around; align-items: center;"> <div style="border: 1px solid black; padding: 5px; background-color: #d4edda;">RoHS - 2 2011/65/EU</div> <div style="border: 1px solid black; border-radius: 50%; padding: 5px;">XX=Plating Code See Below</div> <div style="border: 1px solid black; border-radius: 50%; padding: 5px;">For Electrical, Mechanical &amp; Enviromental Data, See page 264</div> </div>																						
<table border="1" style="width: 100%; text-align: center;"> <tr> <td><b>SPECIFY PLATING CODE XX=</b></td> <td>10 <span style="color: green;">◆</span></td> <td>90</td> <td>40 <span style="color: green;">◆</span></td> <td></td> </tr> <tr> <td>Pin Plating </td> <td>10 μ" Au</td> <td>200 μ" Sn/Pb</td> <td>200 μ" Sn</td> <td></td> </tr> </table>		<b>SPECIFY PLATING CODE XX=</b>	10 <span style="color: green;">◆</span>	90	40 <span style="color: green;">◆</span>		Pin Plating	10 μ" Au	200 μ" Sn/Pb	200 μ" Sn												
<b>SPECIFY PLATING CODE XX=</b>	10 <span style="color: green;">◆</span>	90	40 <span style="color: green;">◆</span>																			
Pin Plating	10 μ" Au	200 μ" Sn/Pb	200 μ" Sn																			
<b>FIG. 3</b>	<b>Series 801...003</b> <b>Low Profile Socket (short insulator)</b>																					
	801-XX-0__-10-003000 Specify number of pins    01-64																					
<b>FIG. 4</b>	<b>Series 801...013</b> <b>Low Profile Socket (long insulator)</b>																					
	801-XX-0__-10-013000 Specify number of pins    01-36																					
<b>FIG. 5</b>	<b>Series 803...003</b> <b>Double Row Low Profile Socket</b>																					
	803-XX-0__-10-003000 Specify number of pins    04-72																					
<div style="display: flex; justify-content: space-around; align-items: center;"> <div style="border: 1px solid black; padding: 5px; background-color: #d4edda;">RoHS - 2 2011/65/EU</div> <div style="border: 1px solid black; border-radius: 50%; padding: 5px;">XX=Plating Code See Below</div> <div style="border: 1px solid black; border-radius: 50%; padding: 5px;">For Electrical, Mechanical &amp; Enviromental Data, See page 264</div> </div>																						
<table border="1" style="width: 100%; text-align: center;"> <tr> <td><b>SPECIFY PLATING CODE XX=</b></td> <td></td> <td></td> <td></td> <td>41 <span style="color: green;">◆</span></td> <td>43 <span style="color: green;">◆</span></td> <td></td> </tr> <tr> <td>Sleeve (Pin) </td> <td></td> <td></td> <td></td> <td>200 μ" Sn</td> <td>200 μ" Sn</td> <td></td> </tr> <tr> <td>Contact (Clip) </td> <td></td> <td></td> <td></td> <td>10 μ" Au</td> <td>30 μ" Au</td> <td></td> </tr> </table>		<b>SPECIFY PLATING CODE XX=</b>				41 <span style="color: green;">◆</span>	43 <span style="color: green;">◆</span>		Sleeve (Pin)				200 μ" Sn	200 μ" Sn		Contact (Clip)				10 μ" Au	30 μ" Au	
<b>SPECIFY PLATING CODE XX=</b>				41 <span style="color: green;">◆</span>	43 <span style="color: green;">◆</span>																	
Sleeve (Pin)				200 μ" Sn	200 μ" Sn																	
Contact (Clip)				10 μ" Au	30 μ" Au																	



# Mouser Electronics

Authorized Distributor

Click to View Pricing, Inventory, Delivery & Lifecycle Information:

[Mill-Max:](#)

[801-43-003-10-003000](#)