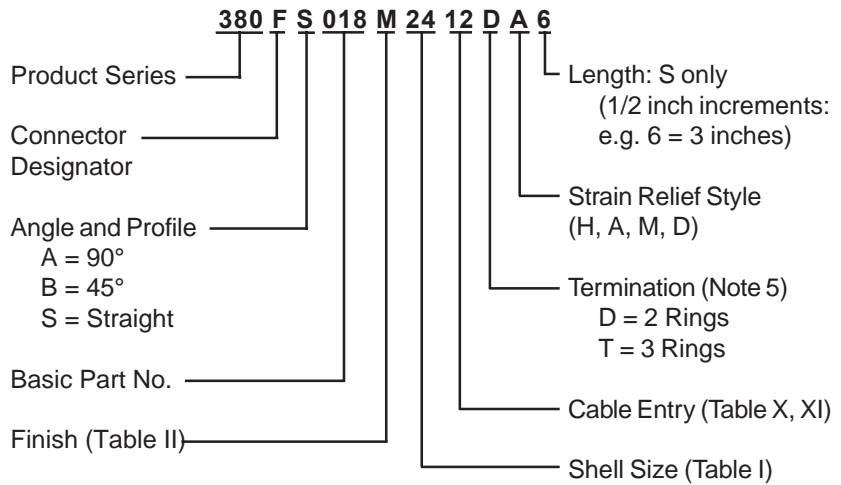


380-018
EMI/RFI Non-Environmental Backshell
with Strain Relief
Type E - Rotatable Coupling - Low Profile

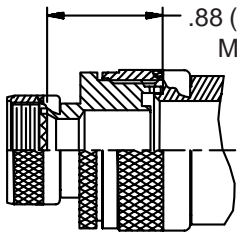
**CONNECTOR
 DESIGNATORS
 A-F-H-L-S**

**ROTATABLE
 COUPLING**

**TYPE E INDIVIDUAL
 AND/OR OVERALL
 SHIELD TERMINATION**



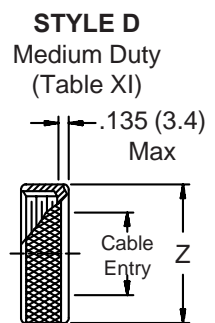
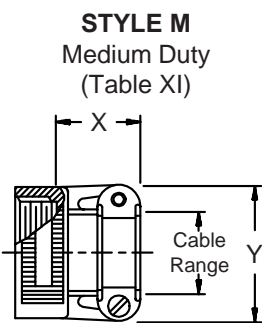
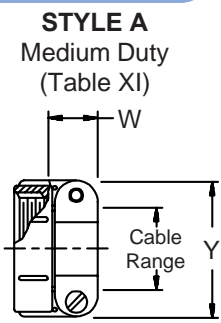
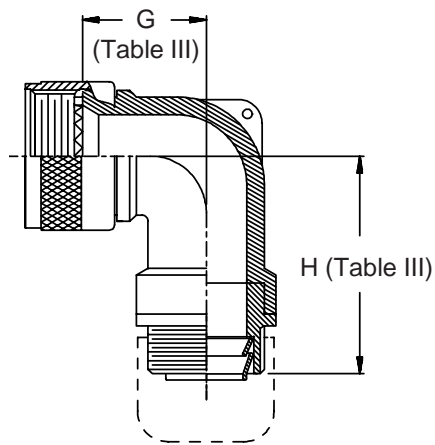
**STYLE 2
 (STRAIGHT
 See Note 1)**



**STYLE 2
 (45° & 90°
 See Note 1)**



-445 Now Available with the "NESTOR"
 Glenair's Non-Detent, Spring-Loaded, Self-Locking Coupling. Add "-445" to Specify This AS85049 Style "N" Coupling Interface.



380-018
EMI/RFI Non-Environmental Backshell
with Strain Relief
Type E - Rotatable Coupling - Low Profile



See inside back cover fold-out or pages 13 and 14 for unabridged Tables I and II.

TABLE III: ELBOW DIMENSIONS

Shell Size						
Conn. Desig.		E	F	G	H	
A-F-L-S	H	Max	Max	Max	Max	
08	09	.520 (13.2)	1.680 (47.2)	.477 (12.7)	1.730 (43.9)	
10	11	.615 (15.6)	1.800 (45.7)	.540 (13.7)	1.730 (43.9)	
12	13	.630 (16.0)	1.820 (46.2)	.602 (15.3)	1.790 (45.5)	
14	15	.720 (18.3)	1.890 (48.0)	.665 (19.6)	1.880 (47.8)	
16	17	.905 (23.0)	1.980 (50.3)	.758 (19.2)	1.990 (50.5)	
18	19	.995 (25.3)	2.150 (54.6)	.946 (24.0)	2.180 (55.4)	
20	21	.995 (25.3)	2.150 (54.6)	.946 (24.0)	2.180 (55.4)	
22	23	1.145 (29.1)	2.260 (57.4)	1.040 (26.4)	2.330 (59.2)	
24	25	1.145 (29.1)	2.260 (57.4)	1.040 (26.4)	2.330 (59.2)	

TABLE II: STANDARD FINISHES

GLENAIR SYMBOL	FINISH
B	Cadmium Plate, Olive Drab
M	Electroless Nickel
NF	Cadmium Plate, Olive Drab Over Electroless Nickel

See Inside Back Cover for Additional Finish Options

TABLE X: CABLE ENTRY

Dash No.	T Max	V Max	Cable Range	
			Min	Max
04	.780 (19.8)	.957 (24.3)	.125 (3.2)	.312 (7.9)
06	.780 (19.8)	1.145 (29.1)	.250 (6.4)	.437 (11.1)
08	.780 (19.8)	1.332 (33.8)	.312 (7.9)	.562 (14.3)
10	.780 (19.8)	1.332 (33.8)	.350 (8.9)	.625 (15.9)
12	.811 (20.6)	1.551 (39.4)	.500 (12.7)	.750 (19.1)
16	.905 (23.0)	1.770 (45.0)	.625 (15.9)	.937 (23.8)
20	1.092 (27.7)	2.113 (53.7)	.875 (22.2)	1.250 (31.8)
24	1.124 (28.5)	2.363 (60.0)	1.000 (25.4)	1.375 (34.9)
28	1.399 (35.5)	2.770 (70.4)	1.250 (31.8)	1.625 (41.3)
32	1.399 (35.5)	3.020 (76.7)	1.437 (36.5)	1.875 (47.6)

- When maximum cable entry (page 21) is exceeded, Style 2 will be supplied. Dimensions E, F, G and H will not apply. Please consult factory.
- Metric dimensions (mm) are indicated in parentheses.
- Cable range is defined as the accommodations range for the wire bundle or cable. Dimensions shown are not intended for inspection criteria.
- Consult factory for shorter lengths on straight backshells.
- Designate Symbol T for 3 ring termination of individual and overall braid. Designate D for standard 2 ring termination of individual or overall braid.

TABLE XI: CABLE ENTRY

Dash No.	W Max	X Max	Y Max	Z Max	Cable Range	
					Min **	Max
03*	.437 (11.1)	.760 (19.3)	.843 (21.4)	.630 (16.0)	.156 (4.0)	.250 (6.4)
04*	.437 (11.1)	.760 (19.3)	.906 (23.0)	.755 (19.2)	.188 (4.8)	.312 (7.9)
06*	.500 (12.7)	.760 (19.3)	1.093 (27.8)	.942 (23.9)	.281 (7.1)	.438 (11.1)
08	.563 (14.3)	.760 (19.3)	1.187 (30.1)	1.067 (27.1)	.344 (8.7)	.562 (14.3)
10	.563 (14.3)	.760 (19.3)	1.281 (32.5)	1.192 (30.3)	.375 (9.5)	.625 (15.9)
12	.563 (14.3)	.760 (19.3)	1.500 (38.1)	1.380 (35.1)	.438 (11.1)	.750 (19.1)
16	.656 (16.7)	1.073 (27.3)	1.719 (43.7)	1.535 (39.0)	.562 (14.3)	.938 (23.8)
20	.656 (16.7)	1.323 (33.6)	2.062 (52.4)	1.848 (46.9)	.750 (19.1)	1.250 (31.8)
24	.656 (16.7)	1.323 (33.6)	2.312 (58.7)	2.255 (57.3)	.781 (19.8)	1.375 (34.9)
28	1.188 (30.2)	1.572 (39.9)	2.719 (69.1)	2.505 (63.6)	.969 (24.6)	1.625 (41.3)
32*	1.187 (30.1)	1.572 (39.9)	2.969 (75.4)	2.755 (70.0)	1.125 (28.6)	1.875 (47.6)
40*	1.125 (28.6)	1.572 (39.9)	3.531 (89.7)	3.255 (82.7)	1.469 (37.3)	2.375 (60.3)

* Not available in Style M clamp. ** Not Applicable Style D

Mouser Electronics

Authorized Distributor

Click to View Pricing, Inventory, Delivery & Lifecycle Information:

Glenair:

[380HA018M1104TH](#) [380HS018M0904TH6](#) [380HS018M1308TH3](#) [380HS018M1704DH3](#) [380HS018M1308DH3](#)
[380HS018M2106DH3](#) [380AS018N1606DA3](#) [380AS018N2208DA3](#) [380FA018N0806DA](#) [380FA018N1006DA](#)
[380FA018N1210DA](#) [380FA018N1608DA](#) [380HA018NF1312TA](#) [380HS018B2310TD3](#) [380HS018M0904DA3](#)
[380HS018M1106TA3-63](#) [380HS018M1712TA3](#) [380HS018M2116TA3](#) [380HS018M2516TA3](#) [380HS018N1106DA3](#)
[380HS018N1304DA3](#) [380HS018N1306DA3](#) [380HS018N1508DA3](#) [380HS018N1910DA3](#) [380HS018NF1712TA3](#)
[380HS018NF2316DD3-62](#) [380FA018N1616DA](#) [380HS018B1116TA4](#) [380HS018B1916TA4](#) [380HS018B2112TA4](#)
[380HS018NF1706TH3](#) [380HA018M1308TH](#) [380HB018M1506TH](#) [380HS018M0903TA3](#) [380HS018M1916TA3](#)
[380HS018N2510TM4](#) [380HS018NF1108DM4](#) [380HS018NF2512DM4](#) [380HS018M2104DH3](#) [380AS018NF0806TA4](#)
[380AS018NF1606TA3](#) [380HB018M2116TA](#) [380HS018M1308DA3](#) [380HS018M2116TA4](#) [380HS018M2320TA3](#)
[380HS018M2512DA3](#) [380HS018NF1104TA3](#) [380AS018NF1406TA3](#) [380HA018M2116TA](#) [380HA018NF1306TA](#)
[380HS018N2106DA3](#) [380FA018M2416DA](#) [380HS018M1104TA3](#) [380HS018M1512TH6](#) [380HS018M1108TA3](#)
[380HS018M1912TA3](#) [380HS018M1508TA3](#) [380HA018NF1510TM](#) [380HS018M2112DM3](#) [380HS018N2112DA3](#)
[380HA018NF1912TA](#) [380HS018M2310TH6](#) [380HA018M1106TA](#) [380AA018M1004TA](#) [380FA018M2024TA](#)
[380FB018M2420TA](#) [380HS018M2510TA3](#) [380HA018M2524TA](#) [380HS018M1506TH6](#) [380HS018M2112TH6](#)
[380FS018M2206TH4](#) [380HS018M2512TH6](#) [380HA018M2112TH](#) [380HS018M2116TH6](#) [380HS018M2516DH6](#)
[380FB018N1012DA](#) [380HA018M0904TA](#)