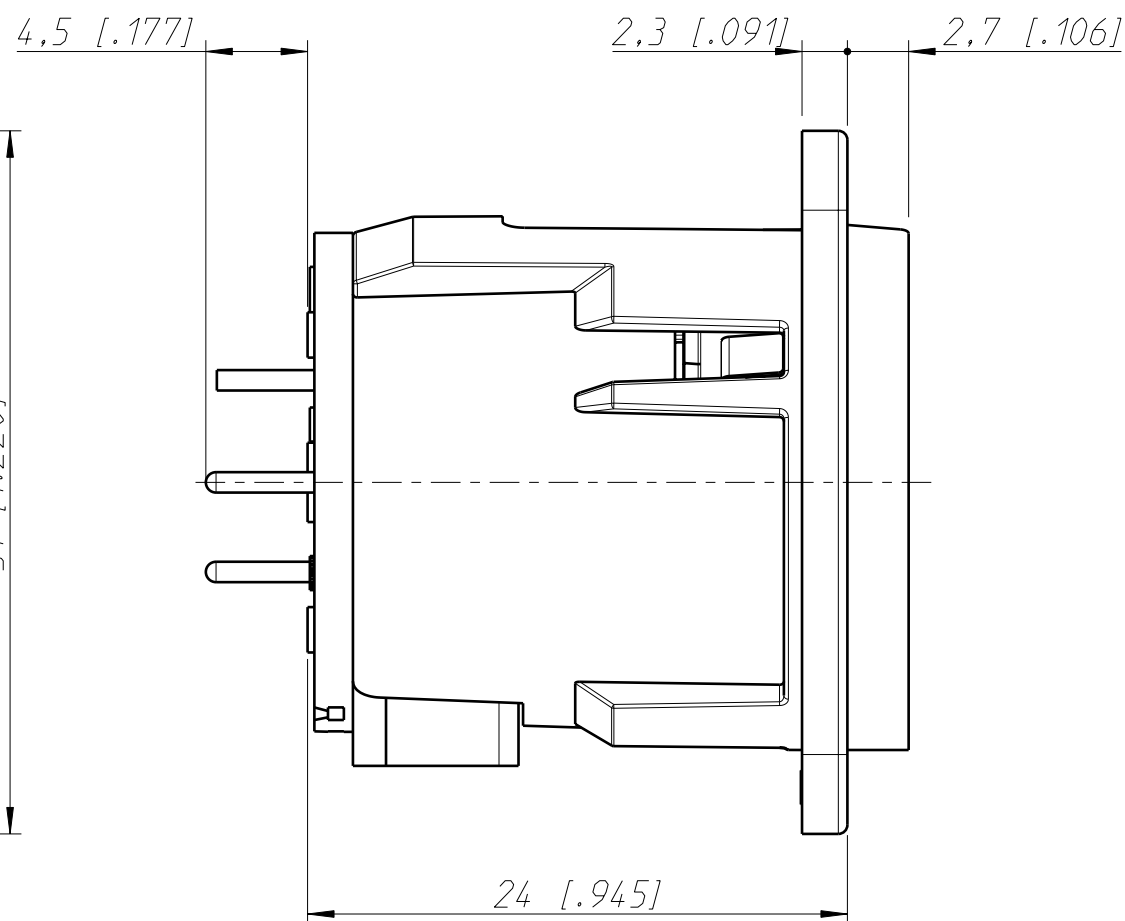
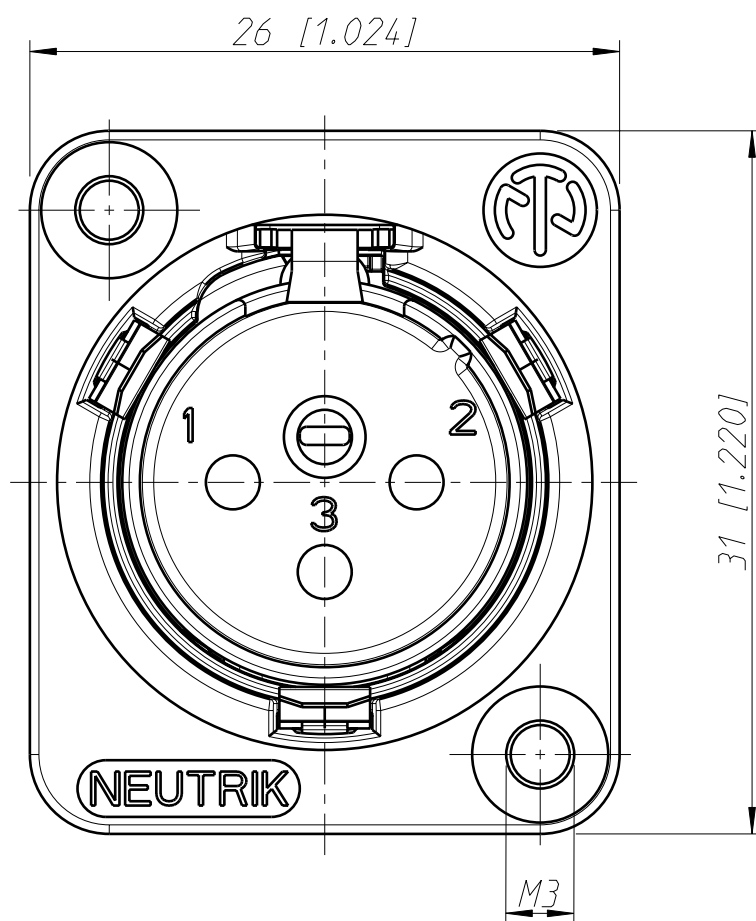
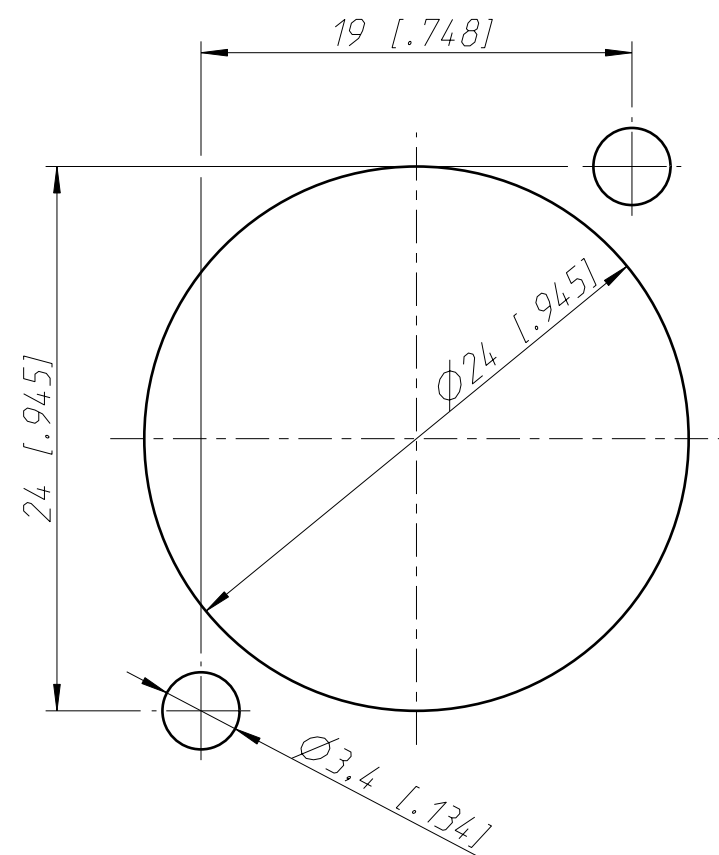
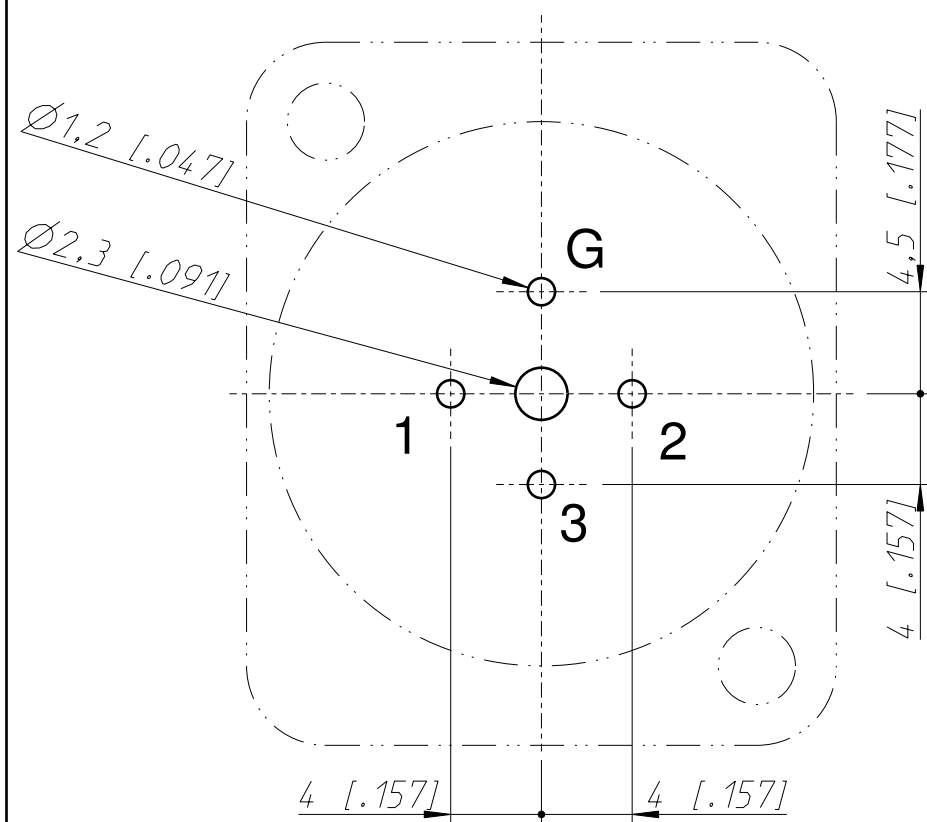


Frontplattenausschnitt (Rückseite)
panel cut out (rear side)



Print Bohrplan (Bestückungsseite)
PCB-Layout (component side)



General tolerances ISO 2768-m	Scale	Date	Name
Refer to protection notice ISO 16016.	3:1 (A3)	31.10.95	Dobler
Name		Modified	Dobler
		Change-No.	Index
		65-2015	1 / 1
		Replacement for:	
		Drawing-No.	
			ST-NC3MDM3-V

NC3MDM3-V

NEUTRIK

Mouser Electronics

Authorized Distributor

Click to View Pricing, Inventory, Delivery & Lifecycle Information:

[Neutrik:](#)

[NC3MDM3-V](#)