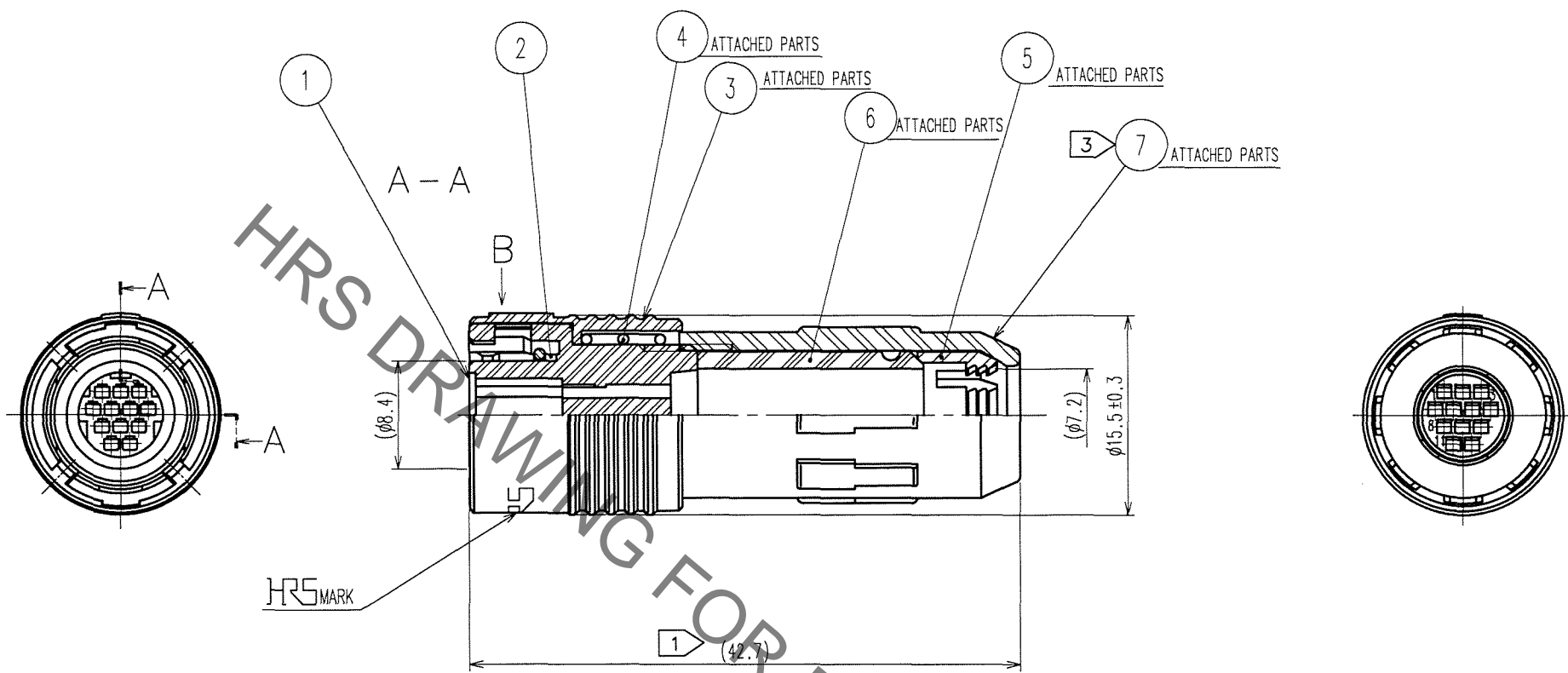
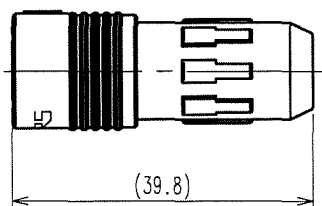


Aug.1.2021 Copyright 2021 HIROSE ELECTRIC CO., LTD. All Rights Reserved.
 In case of consideration for using Automotive equipment / device which demand high reliability, kindly contact our sales window correspondents.

COUNT	DESCRIPTION OF REVISIONS	BY	CHKD	DATE	COUNT	DESCRIPTION OF REVISIONS	BY	CHKD	DATE
2	DIS-C-000490	T.H	E.K	07.01.31					

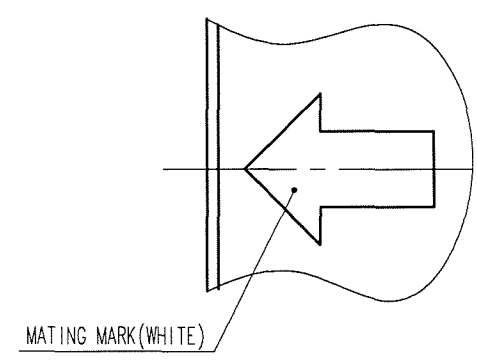
LIFE SIZE(1:1)



NOTES

- ① TOTAL LENGTH BECOMES 39.8±1 WHEN ⑦ IS SCREWED INTO ① COMPLETELY.
- ② APPLICABLE CRIMPING CONTACT:HR30-PC-211
 (APPLICABLE WIRE:26-30 AWG WIRE JACKET DIAMETER:φ1 MAX)
 APPLICABLE CRIMP CONTACT EXTRACTION TOOL:HR30-TP
- ③ THE RECOMMENDED CLUMP TORQUE OF REF. NO. ⑦ TO BE 0.5N·m.
 LOCTITE 271, LOCPRIMER 7649, HENKEL JAPAN IS RECOMMENDED TO PREVENT REF. NO. ⑦ FROM LOOSENING.
 SPACER FOR ASSEMBLY IS AVAILABLE HR30-8P-T02.
 TABLE FOR ASSEMBLY IS AVAILABLE HR30-8P-12PC-T01.
- ④ THE CABLE PULL AND TWISTING STRENGTH AND OTHER CHARACTERISTICS MAY DIFFER,
 DEPENDING ON THE CABLE STRUCTURE.
 PLEASE CONFIRM BEFORE THE USE.

B(5:1)



4	STAINLESS STEEL					
3	PBT	(BLACK)	UL94V-0	7	PPS	(BLACK) UL94V-0
2	SIR	(RED)		6	CR	(BLACK)
1	PPS	(BLACK)	UL94V-0	5	POLYACETAL	(NATURAL)
NO.	MATERIAL	FINISH, REMARKS		NO.	MATERIAL	FINISH, REMARKS

CODE NO.(OLD)	DRAWN	DESIGNED	CHECKED	APPROVED	RELEASED
	M.HANYU	H.NAGANO	E.KUNII	M.SATO	
	'05. 8. 8	'05. 8. 8	'05. 8. 10	'05. 8. 10	

	DRAWING NO.	PART NO.
SCALE	EDC3-112397-71	HR30-8P-12PC(71)
2 : 1		
UNITS	HRS HIROSE ELECTRIC CO., LTD	CODE NO.
mm		CL130-0015-8-71

TO
R

Mouser Electronics

Authorized Distributor

Click to View Pricing, Inventory, Delivery & Lifecycle Information:

[Hirose Electric:](#)

[HR30-8P-12PC\(71\)](#)