

Customer Information Sheet

DRAWING No.: D01-990XXXX

IF IN DOUBT - ASK

©

NOT TO SCALE

THIRD ANGLE PROJECTION

ALL DIMENSIONS IN mm

SPECIFICATIONS:

MATERIAL

CARRIER = BRASS

CONTACT SHELL = BRASS

CONTACT CLIP = BERYLLIUM COPPER

FINISH: (ALL OVER NICKEL)

01 = 0.1µm GOLD CLIP, 4µm TIN SHELL

05 = 0.1µm GOLD CLIP, 0.13µm GOLD SHELL

ELECTRICAL:

CURRENT RATING = 2A MAX

CONTACT RESISTANCE = 25mΩ MAX

MECHANICAL:

DURABILITY = 500 CYCLES

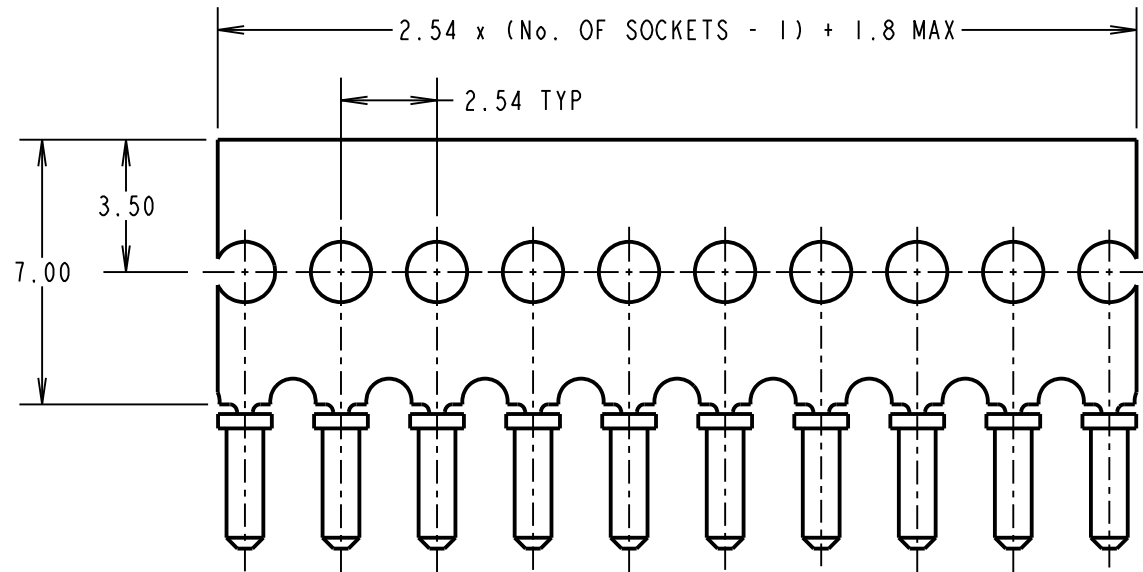
INSERTION FORCE = 6N MAX, 2N MIN

WITHDRAWAL FORCE = 1.5 MAX, 0.5 MIN

ENVIRONMENTAL:

OPERATING TEMPRETURE = -55°C TO +100°C

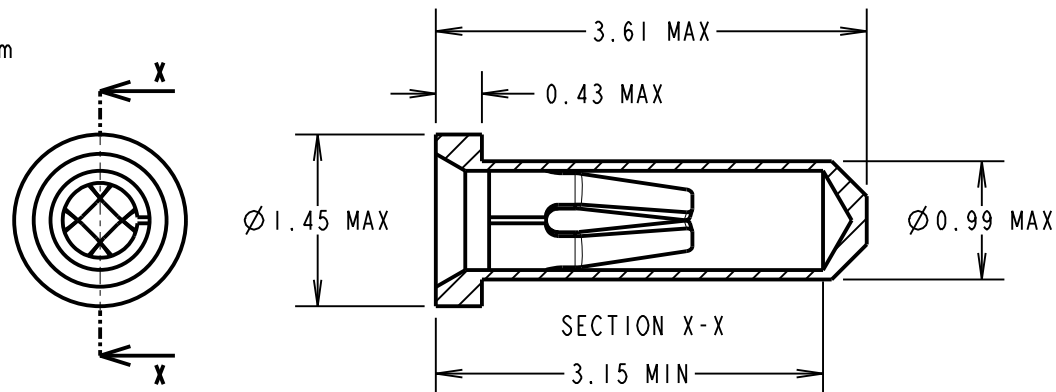
FOR COMPLETE SPECIFICATION, SEE COMPONENT SPECIFICATION C006 (LATEST ISSUE)



NOTES:

1. RECOMMENDED HOLE SIZE = \varnothing 1.00-1.10mm
2. MAXIMUM PIN LENGTH = 3.15mm
3. RECOMMENDED PIN DIAMETER = \varnothing 0.41-0.51mm
4. MAXIMUM CONTACT DEPTH = 2.30mm

DETAILED VIEWS OF SOCKET H3153-XX



ORDER CODE:

D01-990XXXX

No. OF SOCKETS

UP TO 32

FINISH:

01 = GOLD CLIP, TIN SHELL

05 = GOLD CLIP, GOLD SHELL

| | | | |
|-----------------------|------|----------|--------|
| MGP | 11 | 05.12.19 | 22198 |
| NAME | ISS. | DATE | C/NOTE |
| APPROVED: MGP | | | |
| CHECKED: SB | | | |
| DRAWN: MARK G PLESTED | | | |
| CUSTOMER REF.: | | | |
| ASSEMBLY DRG: | | | |

HARWIN

www.harwin.com
technical@harwin.com

THIS DRAWING AND ANY INFORMATION OR DESCRIPTIVE MATTER SET OUT HEREON ARE CONFIDENTIAL AND COPYRIGHT PROPERTY OF THE HARWIN GROUP AND MUST NOT BE DISCLOSED, LOANED, COPIED OR USED FOR MANUFACTURING, TENDERING OR FOR ANY OTHER PURPOSE WITHOUT THEIR WRITTEN PERMISSION.

TOLERANCES

X. = \pm 1mm
X.X = \pm 0.50mm
X.XX = \pm 0.20mm
X.XXX = \pm 0.01mm
ANGLES = \pm 5°
UNLESS STATED

MATERIAL:

SEE ABOVE

FINISH: SEE ABOVE

S/AREA: mm²

TITLE:

H3153-XX SUB-MIN SOCKETS ON CARRIER STRIP

DRAWING NUMBER:

D01-990XXXX

SHT
2 OF 2

Mouser Electronics

Authorized Distributor

Click to View Pricing, Inventory, Delivery & Lifecycle Information:

Harwin:

| | | | | | | | |
|------------------------------------|------------------------------------|------------------------------------|------------------------------------|------------------------------------|------------------------------------|------------------------------------|------------------------------------|
| <u>D01-9900801</u> | <u>D01-9900805</u> | <u>D01-9903201</u> | <u>D01-9900401</u> | <u>D01-9900405</u> | <u>D01-9900205</u> | <u>D01-9900201</u> | <u>D01-9900605</u> |
| <u>D01-9900601</u> | <u>D01-9900501</u> | <u>D01-9900505</u> | <u>D01-9900901</u> | <u>D01-9900905</u> | <u>D01-9900705</u> | <u>D01-9900701</u> | <u>D01-9900305</u> |
| <u>D01-9900301</u> | <u>D01-9902301</u> | <u>D01-9902101</u> | <u>D01-9902401</u> | <u>D01-9902001</u> | <u>D01-9902005</u> | <u>D01-9902601</u> | <u>D01-9902201</u> |
| <u>D01-9901601</u> | <u>D01-9901605</u> | <u>D01-9901205</u> | <u>D01-9901201</u> | <u>D01-9901001</u> | <u>D01-9901005</u> | <u>D01-9901805</u> | <u>D01-9901801</u> |
| <u>D01-9901401</u> | <u>D01-9901405</u> | <u>D01-9901305</u> | <u>D01-9901301</u> | <u>D01-9901701</u> | <u>D01-9901705</u> | <u>D01-9901501</u> | <u>D01-9901505</u> |
| <u>D01-9901905</u> | <u>D01-9901901</u> | <u>D01-9901101</u> | <u>D01-9901105</u> | | | | |