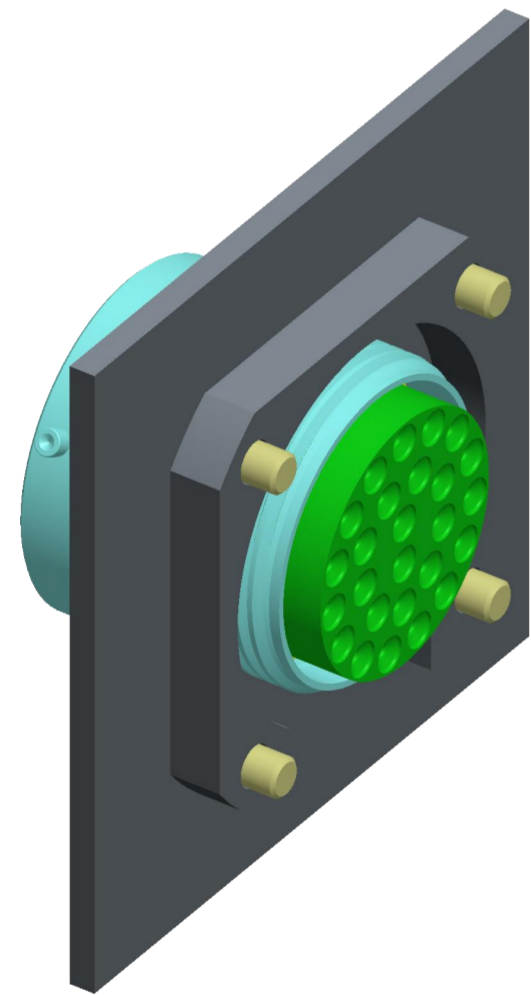
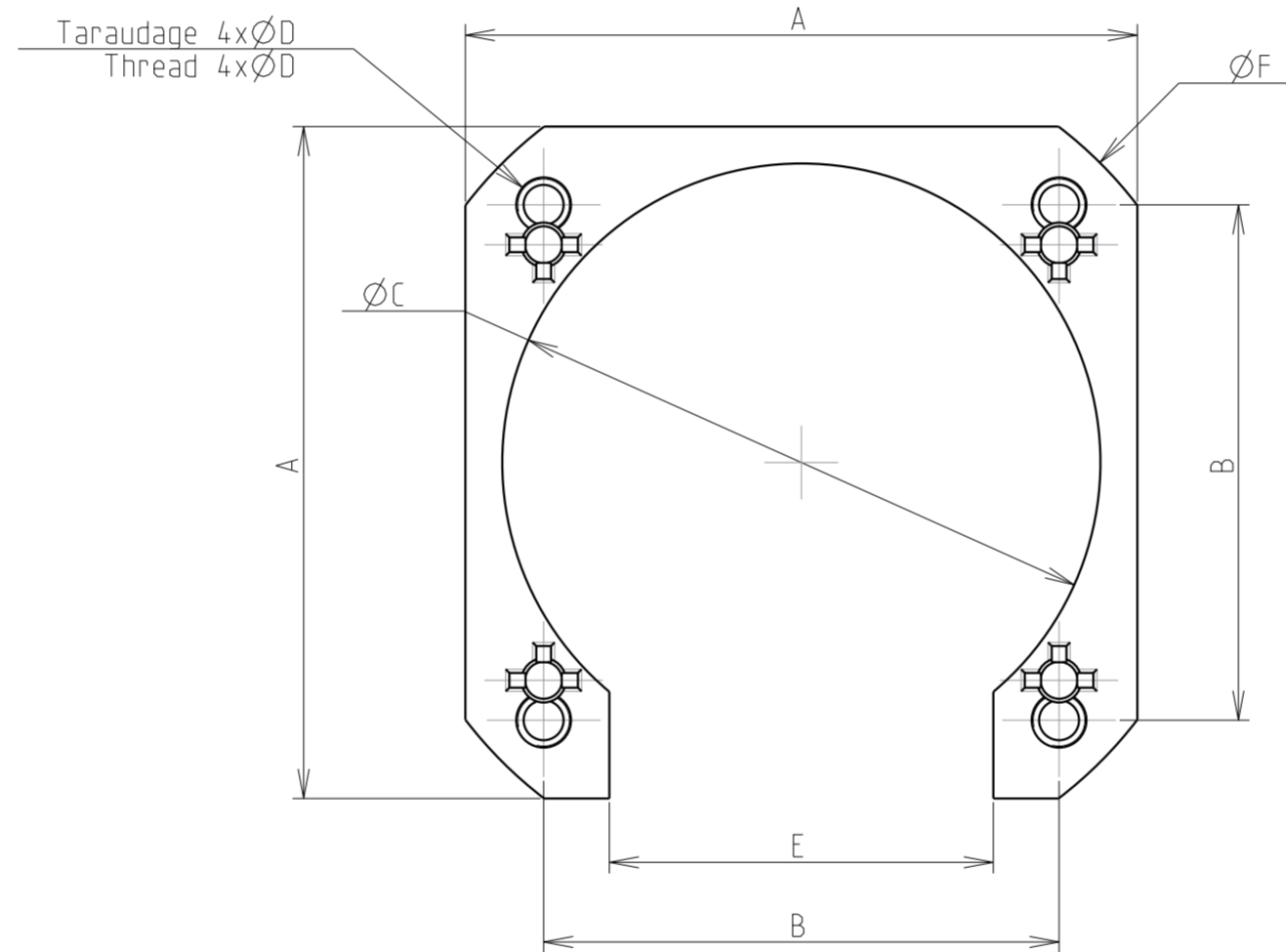


▲ critical dimension  
▲ major dimension

FIXING PLATE SIZE	DIMENSIONS IN INCHES									TAILLE CONTRE PLAQUE	DIMENSIONS EN MILLIMETRES									MASSE WEIGHT in grams	MIL-DTL-26482					MIL-DTL-38999					EN 2997
	P1	P2	A	B±.002	ØC <sup>+0.004</sup> / <sub>+0</sub>	ØD		E	ØF		P1	P2	A	B±0.05	ØC <sup>+0.1</sup> / <sub>+0</sub>	ØD		E	ØF		851/852		Serie I BLTS		Serie II 8T		Serie III 8D		8533 Serie		
						ISO	UNJC									ISO	UNJC				OUT	IN	OUT	IN	OUT	IN					
08	.197	.110	.827	.594	.598	M3	4-40	.276	1.075	08	5	2.8	21	15.1	15.2	M3	4-40	7	27.3	2.1	8	--	8	--	9	8					
10	.197	.110	1	.720	.768	M3	4-40	.394	1.260	10	5	2.8	25.4	18.3	19.5	M3	4-40	10	32	2.8	10	9	10	9	11	10					
12	.197	.110	1.094	.811	.894	M3	4-40	.512	1.390	12	5	2.8	27.8	20.6	22.7	M3	4-40	13	35.3	2.8	12	11	12	11	13	12					
14	.197	.110	1.189	.906	1.024	M3	4-40	.551	1.520	14	5	2.8	30.2	23	26	M3	4-40	14	38.6	3.1	14	13	14	13	15	14					
16	.197	.110	1.280	.969	1.122	M3	4-40	.630	1.606	16	5	2.8	32.5	24.6	28.5	M3	4-40	16	40.8	3.7	16	15	16	15	17	16					
18	.197	.110	1.382	1.063	1.124	M3	4-40	.709	1.760	18	5	2.8	35.1	27	31.1	M3	4-40	18	44.7	3.8	18	17	18	17	19	18					
20	.197	.213	1.535	1.157	1.339	M3	4-40	.787	1.933	20	5	5.4	39	29.4	34	M3	4-40	20	49.1	4.2	20	19	20	19	21	20					
22	.197	.213	1.665	1.248	1.469	M3	4-40	.906	2.091	22	5	5.4	42.3	31.7	37.3	M3	4-40	23	53.1	5	22	21	22	21	23	22					
24	.197	.213	1.791	1.374	1.594	M3.5	6-32	1.024	2.256	24	5	5.4	45.5	34.9	40.5	M3.5	6-32	26	57.3	5.7	24	23	24	23	25	24					
243	.197	.213	1.791	1.374	1.594	M3	--	1.024	2.256	243	5	5.4	45.5	34.9	40.5	M3	--	26	57.3	5.7	24	23	24	23	25	24					



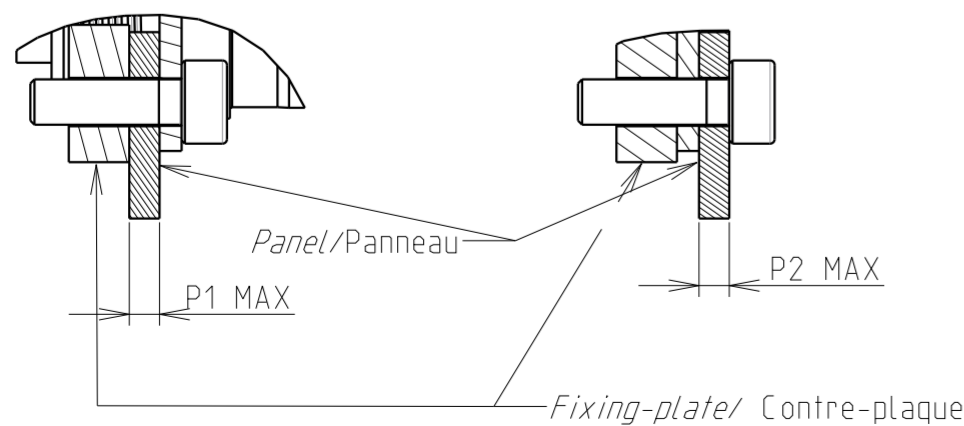
SCALE 2/1 / ECHELLE 2/1



SCALE 2/1 / ECHELLE 2/1

CUSTOMER DRAWING / PLAN CLIENT

Country	Jurisdiction & Control List
FR	NOT LISTED



SCALE 2/1 / ECHELLE 2/1

PART NUMBER / Référence commerciale: SN201F-XX-X

Basic Serie / Série

Size / Taille

N: ISO Thread  
Finish: Black anodization  
Taroudage ISO.  
Protection: Anodisation Noire

V: UNJC Thread class 3B  
Finish: Green anodization  
Taroudage UNJC classe 3B  
Protection: Anodisation Verte

a	14/02/17	First issue / édition initiale	C.PHILIPPE	P.GERARD	DIFF
Iss	Date	MODIFICATIONS	Designed by	Checked by	MOD N°
MATERIAL		TREATMENT	PROTECTION/PLATING		
--		--	--		
--		CODE	--		
DIMENSIONS ARE DEFINED BEFORE PLATING					
TITLE					PROJECT
CONTRE PLAQUE AUTOFREINEE 4 TROUS					SN201F
FOUR HOLES SELF-LOCKING FIXING PLATE					
Material Reference --					
Generales tolerances ISO 2768		<p>3. RUE DU VALLON ZAC N°2 94440 MAROLLES-EN-BRIE (FRANCE) TEL. 33 (0)1 45 10 78 00</p>			
Scale 1/1	General machining Surface texture Ra 1.6				
Geometrical Tolerances: NF EN ISO 1101					
This document is the property of SOURIAU it must not be reproduced or communicated without permission.			FORMAT	SOURIAU DRG N°	Iss
			A2	C2-SN201F-XX	a
					SHEET 1/1

# Mouser Electronics

Authorized Distributor

Click to View Pricing, Inventory, Delivery & Lifecycle Information:

[Souriau:](#)

[SN201F16N](#) [SN201F10N](#) [SN201F14N](#) [SN201F08N](#)