

500 mA 36V Input Low Supply Current LDO for Automotive Applications

NO. EC-304-201125

OUTLINE

R1517x is a CMOS-based LDO that specifically designed for automotive applications featuring 500 mA output current and 36 V input voltage. In addition to a conventional regulator circuit, R1517x consists of a constant slope circuit as a soft-start function, a fold-back protection circuit, a short current limit circuit, and a thermal shutdown circuit. Besides the low supply current by CMOS, the operating temperature is -40°C to 125°C and the maximum input voltage is 36 V, the R1517x is very suitable for power source of car accessories.

R1517x supports the internal fixed output voltage type of R1517xxxxB/D/E/F, and the output voltage of R1517x001C can adjust the output voltage be set with an external resistor, and the setting range is from 2.5V to Max 20V. As for the soft-start time, R1517x is fixed internal in R1517xxxxB/D/E/F and is set to 120 μs (Typ). And the soft-start time in R1517Jxx1E/F is adjustable by external capacitors. R1517x supports the auto-discharge function at standby in R1517xxxxD/F.

R1517x is available in two packages for ultra-high wattage: HSOP-6J and TO-252-5-P2.

FEATURES

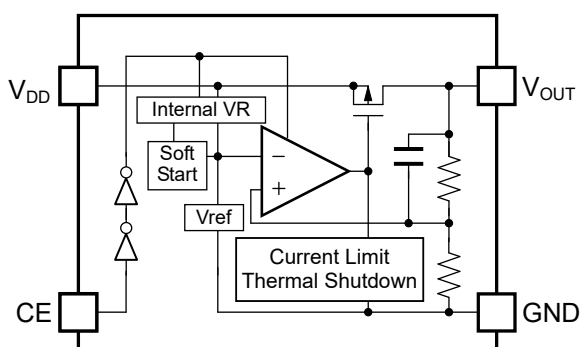
- Input Voltage Range (Maximum Rating) 3.5 V to 36.0 V (50.0V)
- Operating Temperature Range -40°C to 125°C
- Supply Current Typ. 18 μA
- Standby Current Typ. 0.1 μA
- Dropout Voltage Typ. 0.35 V ($I_{\text{OUT}} = 500 \text{ mA}$, $V_{\text{OUT}} = 5.0 \text{ V}$)
- Output Voltage Accuracy $\pm 0.8\%$ ($V_{\text{OUT}} \leq 5.0 \text{ V}$)
- Temperature-Drift Coefficient of Output Voltage Typ. $\pm 60 \text{ ppm}/^{\circ}\text{C}$ ($-40^{\circ}\text{C} \leq T_a \leq 125^{\circ}\text{C}$)
- Line Regulation Typ. 0.01%/V
- Packages HSOP-6J, TO-252-5-P2
- Output Voltage Range 2.5 V/2.8 V/3.0 V/3.3 V/3.4 V/5.0 V/ 6.0 V/8.0 V/
8.5 V/9.0 V
R1517x001C: Adjustable from 2.5 V to 20.0 V with External
Resistors.
Feedback Voltage: 2.5 V
- Built-in Short Current Limit Circuit Typ. 75 mA
- Built-in Fold-Back Protection Circuit Min. 500 mA
- Built-in Thermal Shutdown Circuit Typ. 160°C
- Built-in Soft-start Circuit Typ. 120 μs
R1517Jxx1E/F: Adjustable Time Setting with External
Capacitors.
- Usable Ceramic Capacitors 0.1 μF or more
R1517x001C: 1.0 μF or more

APPLICATIONS

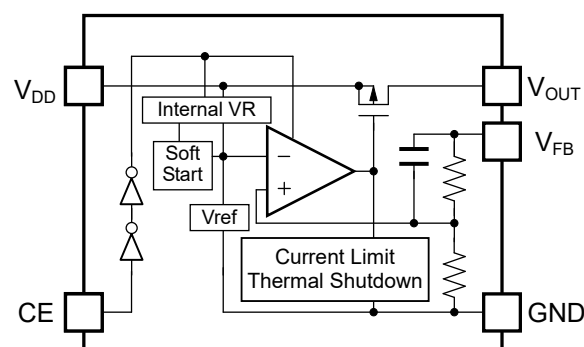
- Power source for car accessories including car audio equipment, car navigation system, and ETC system.
- Power source for control units including EV inverter and charge control.

BLOCK DIAGRAMS

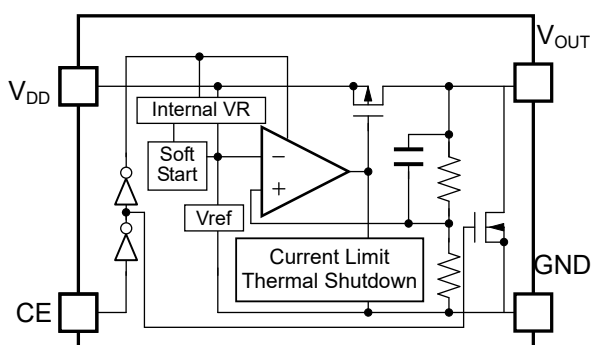
R1517xxxxB



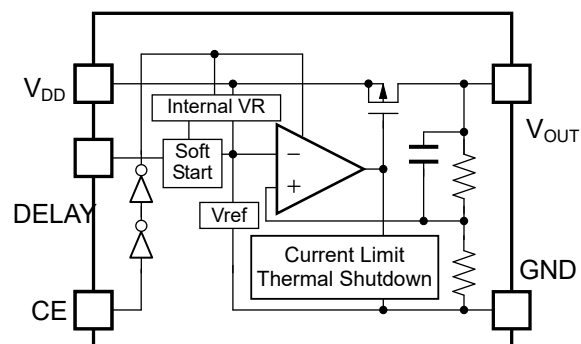
R1517x001C



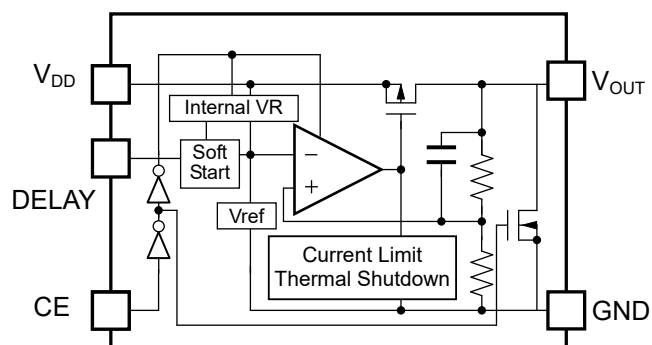
R1517xxxxD



R1517Jxx1E



R1517Jxx1F



SELECTION GUIDE

The output voltage, version, and package type for this device can be selected at the user's request.

| Product Name | Package | Quantity per Reel | Pb Free | Halogen Free |
|------------------|-------------|-------------------|---------|--------------|
| R1517Sxx2*-E2-#E | HSOP-6J | 1,000 pcs | Yes | Yes |
| R1517S001C-E2-#E | | | | |
| R1517Jxx1*-T1-#E | TO-252-5-P2 | 3,000 pcs | Yes | Yes |
| R1517J001C-T1-#E | | | | |

xx: Specify the set output voltage (V_{SET})

2.5 V (25) / 2.8 V (28) / 3.0 V (30) / 3.3 V (33) / 3.4 V (34) / 5.0 V (50) / 6.0 V (60) /
8.0 V (80) / 8.5 V (85) / 9.0 V (90)

Adjustable output voltage setting type is fixed to (00)

Note: For R1517S001C-E2-#E and R1517J001C-T1-#E (No auto-discharge function)

* : Specify the version with desired functions

B: No auto-discharge function

D: Auto-discharge function

E: No auto-discharge function / Adjustable soft-start time setting

F: Auto-discharge function / Adjustable soft-start time setting

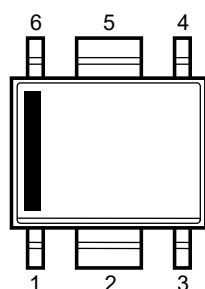
Note: R1517Sxx2*-E2-#E can provide R1517Sxx2B/D only.

: Specify Automotive Class Code

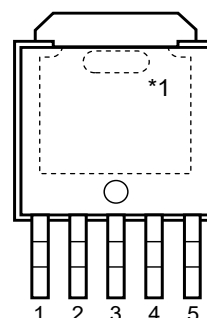
| | Operating Temperature Range | Guaranteed Specs Temperature Range | Screening |
|---|-----------------------------|------------------------------------|--------------------------|
| A | -40°C to 125°C | 25°C | High temperature |
| K | -40°C to 125°C | -40°C to 125°C | High and low temperature |

Auto-discharge function quickly lowers the output voltage to 0 V by releasing the electrical charge in the external capacitor when the chip enable signal is switched from the active mode to the standby mode.

PIN DESCRIPTION



HSOP-6J



TO-252-5-P2

HSOP-6J

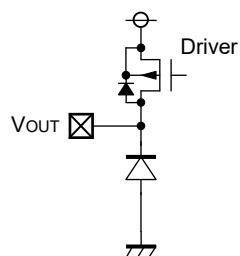
| Pin No. | Symbol | Description | |
|---------|------------------|------------------------------|--------------|
| 1 | V _{DD} | Input Pin | |
| 2 | GND | Ground Pin | |
| 3 | GND | Ground Pin | R1517Sxx2B/D |
| | V _{FB} | Feedback Pin | R1517S001C |
| 4 | CE | Chip Enable Pin, Active-high | |
| 5 | GND | Ground Pin | |
| 6 | V _{OUT} | Output Pin | |

TO-252-5-P2

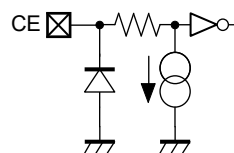
| Pin No. | Symbol | Description | |
|---------|------------------|--------------------------------|--------------|
| 1 | V _{DD} | Input Pin | |
| 2 | NC | No Connection | R1517Jxx1B/D |
| | V _{FB} | Feedback Pin | R1517J001C |
| | DELAY | Adjustable Soft-start Time Pin | R1517Jxx1E/F |
| 3 | GND | Ground Pin | |
| 4 | CE | Chip Enable Pin, Active-high | |
| 5 | V _{OUT} | Output Pin | |

*1 The tab on the bottom of the package enhances thermal performance and is electrically connected to GND (substrate level). It is recommended that the tab be connected to the ground plane on the board, or otherwise be left open.

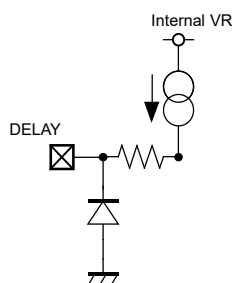
PIN EQUIVALENT CIRCUIT DIAGRAMS



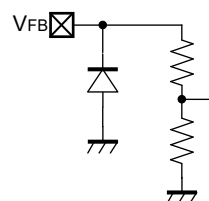
V_{OUT} Pin



CE Pin



DELAY Pin (R1517Jxx1E/F)



V_{FB} Pin (R1517x001C)

ABSOLUTE MAXIMUM RATINGS

| Symbol | Item | | Rating | Unit |
|------------------|---|---------------------------------|------------------------------------|------|
| V _{IN} | Input Voltage | | -0.3 to 50 | V |
| V _{IN} | Peak Input Voltage* ¹ | | 60 | V |
| V _{CE} | Input Voltage (CE Pin) | | -0.3 to 50 | V |
| V _{FB} | Input Voltage (V _{FB} Pin) | | -0.3 to 50 | V |
| V _{OUT} | Output Voltage | | -0.3 to V _{IN} + 0.3 ≤ 50 | V |
| P _D | Power Dissipation (HSOP-6J)* ² | Standard Land Pattern | 2100 | mW |
| | | Ultra High Wattage Land Pattern | 3400 | |
| | Power Dissipation (TO-252-5-P2)* ² | Standard Land Pattern | 2350 | |
| | | Ultra High Wattage Land Pattern | 4800 | |
| T _j | Junction Temperature | | -40 to 150 | °C |
| T _{stg} | Storage Temperature Range | | -55 to 150 | °C |

*¹ Duration time = 200 ms

*² Refer to *PACKAGE INFORMATION* for detailed information.

ABSOLUTE MAXIMUM RATINGS

Electronic and mechanical stress momentarily exceeded absolute maximum ratings may cause the permanent damage and may degrade the life time and safety for both device and system using the device in the field. The functional operation at or over these absolute maximum ratings is not assured.

RECOMMENDED OPERATING CONDITIONS

| Symbol | Item | Rating | Unit |
|-----------------|-----------------------------|------------|------|
| V _{IN} | Input Voltage | 3.5 to 36 | V |
| T _a | Operating Temperature Range | -40 to 125 | °C |

RECOMMENDED OPERATING CONDITONS

All of electronic equipment should be designed that the mounted semiconductor devices operate within the recommended operating conditions. The semiconductor devices cannot operate normally over the recommended operating conditions, even if they are used over such conditions by momentary electronic noise or surge. And the semiconductor devices may receive serious damage when they continue to operate over the recommended operating conditions.

ELECTRICAL CHARACTERISTICS

$V_{IN} = V_{SET} + 1.0 \text{ V}$, $I_{OUT} = 1 \text{ mA}$, $C_{IN} = C_{OUT} = 0.1 \mu\text{F}$, unless otherwise noted.

The specifications surrounded by are guaranteed by design engineering at $-40^\circ\text{C} \leq T_a \leq 125^\circ\text{C}$.

R1517xxxxB/D (-AE)

($T_a = 25^\circ\text{C}$)

| Symbol | Item | Conditions | Min. | Typ. | Max. | Unit | |
|---|---|---|---|---|--|---|---|
| V_{OUT} | Output Voltage | $T_a = 25^\circ\text{C}$ | $V_{SET} \leq 5.0 \text{ V}$ | $\times 0.992$ | | $\times 1.008$ | V |
| | | | $V_{SET} > 5.0 \text{ V}$ | $\times 0.99$ | | $\times 1.01$ | V |
| | | $-40^\circ\text{C} \leq T_a \leq 125^\circ\text{C}$ | $V_{SET} \leq 5.0 \text{ V}$ | $\times 0.982$ | | $\times 1.018$ | V |
| | | | $V_{SET} > 5.0 \text{ V}$ | $\times 0.98$ | | $\times 1.02$ | V |
| $\frac{\Delta V_{OUT}}{\Delta I_{OUT}}$ | Load Regulation | $V_{IN} = V_{SET} + 2.0 \text{ V}$ $1 \text{ mA} \leq I_{OUT} \leq 250 \text{ mA}$ | -15 | 3 | 25 | mV | |
| | | $V_{IN} = V_{SET} + 2.0 \text{ V}$ $1 \text{ mA} \leq I_{OUT} \leq 500 \text{ mA}$ | -25 | 5 | 40 | mV | |
| V_{DIF} | Dropout Voltage | $I_{OUT} = 500 \text{ mA}$ | Refer to Product-specific Electrical Characteristics. | | | | |
| I_{SS} | Supply Current | $I_{OUT} = 0 \text{ mA}$ | | 18 | 36 | μA | |
| Istandby | Standby Current | $V_{CE} = 0 \text{ V}$ | | 0.1 | 2.0 | μA | |
| $\frac{\Delta V_{OUT}}{\Delta V_{IN}}$ | Line Regulation | $V_{SET} + 0.5 \text{ V} \leq V_{IN} \leq 36 \text{ V}$, Under the condition of $V_{IN} \geq 3.5 \text{ V}$ | | 0.01 | 0.02 | %/V | |
| I_{LIM} | Output Current Limit | $V_{IN} = V_{SET} + 2.0 \text{ V}$ | 500 | 750 | | mA | |
| I_{SC} | Short Current Limit | $V_{IN} = 5.0 \text{ V}$, $V_{OUT} = 0 \text{ V}$ | | 75 | | mA | |
| I_{PD} | CE Pull-down Current | $V_{CE} = 5.0 \text{ V}$ | | 0.2 | 0.6 | μA | |
| | | $V_{CE} = 36 \text{ V}$ | | 0.5 | 1.3 | μA | |
| t_{D1} | Soft-start Time 1 | | | 120 | | μs | |
| V_{CEH} | CE Input Voltage "H" | | 2.2 | | 36 | V | |
| V_{CEL} | CE Input Voltage "L" | | 0 | | 1.0 | V | |
| T_{TSD} | Thermal Shutdown Temperature | Junction Temperature | 150 | 160 | | $^\circ\text{C}$ | |
| T_{TSR} | Thermal Shutdown Released Temperature | Junction Temperature | 125 | 135 | | $^\circ\text{C}$ | |
| R_{LOW} | Low Output Nch Tr. ON Resistance (R1517xxxxD) | $V_{IN} = 14.0 \text{ V}$, $V_{CE} = 0 \text{ V}$ | 1.0 | 3.2 | 5.0 | k Ω | |

All test items listed under Electrical Characteristics are done under the pulse load condition ($T_j \approx T_a = 25^\circ\text{C}$) except for Soft-start Time 1.

$V_{IN} = V_{FB} (= 2.5 \text{ V}) + 1.0 \text{ V} = 3.5 \text{ V}$, $I_{OUT} = 1 \text{ mA}$, $C_{IN} = 0.1 \mu\text{F}$, $C_{OUT} = 1.0 \mu\text{F}$, unless otherwise noted.

The specifications surrounded by are guaranteed by design engineering at $-40^\circ\text{C} \leq T_a \leq 125^\circ\text{C}$.

R1517x001C (-AE)

(Ta = 25°C)

| Symbol | Item | Conditions | Min. | Typ. | Max. | Unit |
|---|---------------------------------------|---|---|------|---|------|
| V _{FB} | Feedback Voltage | T _a = 25°C | 2.480 | | 2.520 | V |
| | | -40°C ≤ T _a ≤ 125°C | 2.455 | | 2.545 | V |
| ΔV _{OUT} /ΔI _{OUT} | Load Regulation | V _{IN} = 4.5 V 1 mA ≤ I _{OUT} ≤ 250 mA | -10 | 3 | 10 | mV |
| | | V _{IN} = 4.5 V 1 mA ≤ I _{OUT} ≤ 500 mA | -20 | 5 | 20 | mV |
| V _{DIF} | Dropout Voltage | I _{OUT} = 500 mA | | / | 1.0 | V |
| I _{SS} | Supply Current | I _{OUT} = 0 mA | | 18 | 36 | μA |
| I _{standby} | Standby Current | V _{CE} = 0 V | | 0.1 | 2.0 | μA |
| ΔV _{OUT} /ΔV _{IN} | Line Regulation | 3.5 V ≤ V _{IN} ≤ 36 V | | 0.01 | 0.02 | %/V |
| I _{LIM} | Output Current Limit | V _{IN} = 4.5 V | 500 | 750 | | mA |
| I _{SC} | Short Current Limit | V _{IN} = 5.0 V, V _{OUT} = V _{FB} = 0 V | | 75 | | mA |
| I _{PD} | CE Pull-down Current | V _{CE} = 5.0 V | | 0.2 | 0.6 | μA |
| | | V _{CE} = 36 V | | 0.5 | 1.3 | μA |
| t _{D1} | Soft-start Time 1 | | | 120 | | μs |
| V _{CEH} | CE Input Voltage "H" | | 2.2 | | 36 | V |
| V _{CEL} | CE Input Voltage "L" | | 0 | | 1.0 | V |
| T _{TSD} | Thermal Shutdown Temperature | Junction Temperature | 150 | 160 | | °C |
| T _{TSR} | Thermal Shutdown Released Temperature | Junction Temperature | 125 | 135 | | °C |

V_{OUT} = V_{FB} = 2.5 V (excluding short circuit current)

All test items listed under Electrical Characteristics are done under the pulse load condition (T_j ≈ T_a = 25°C) except for Soft-start Time 1.

$V_{IN} = V_{SET} + 1.0 \text{ V}$, $I_{OUT} = 1 \text{ mA}$, $C_{IN} = C_{OUT} = 0.1 \mu\text{F}$, unless otherwise noted.

The specifications surrounded by are guaranteed by design engineering at $-40^\circ\text{C} \leq T_a \leq 125^\circ\text{C}$.

R1517Jxx1E/F (-AE)

(Ta = 25°C)

| Symbol | Item | Conditions | Min. | Typ. | Max. | Unit | |
|-----------------------------------|---|---|---|--|--|--|---|
| V_{OUT} | Output Voltage | Ta = 25°C | $V_{SET} \leq 5.0 \text{ V}$ | $\times 0.992$ | | $\times 1.008$ | V |
| | | | $V_{SET} > 5.0 \text{ V}$ | $\times 0.99$ | | $\times 1.01$ | V |
| | | $-40^\circ\text{C} \leq T_a \leq 125^\circ\text{C}$ | $V_{SET} \leq 5.0 \text{ V}$ | ×0.982 | | ×1.018 | V |
| | | | $V_{SET} > 5.0 \text{ V}$ | ×0.98 | | ×1.02 | V |
| $\Delta V_{OUT} / \Delta I_{OUT}$ | Load Regulation | $V_{IN} = V_{SET} + 2.0 \text{ V}$ $1 \text{ mA} \leq I_{OUT} \leq 250 \text{ mA}$ | -15 | 3 | 25 | mV | |
| | | $V_{IN} = V_{SET} + 2.0 \text{ V}$ $1 \text{ mA} \leq I_{OUT} \leq 500 \text{ mA}$ | -25 | 5 | 40 | mV | |
| V_{DIF} | Dropout Voltage | $I_{OUT} = 500 \text{ mA}$ | Refer to Product-specific Electrical Characteristics. | | | | |
| I_{SS} | Supply Current | $I_{OUT} = 0 \text{ mA}$ | | 18 | 36 | μA | |
| Istandby | Standby Current | $V_{CE} = 0 \text{ V}$ | | 0.1 | 2.0 | μA | |
| $\Delta V_{OUT} / \Delta V_{IN}$ | Line Regulation | $V_{SET} + 0.5 \text{ V} \leq V_{IN} \leq 36 \text{ V}$, Under the condition of $V_{IN} \geq 3.5 \text{ V}$ | | 0.01 | 0.02 | %/V | |
| I_{LIM} | Output Current Limit | $V_{IN} = V_{SET} + 2.0 \text{ V}$ | 500 | 750 | | mA | |
| I_{SC} | Short Current Limit | $V_{IN} = 5.0 \text{ V}$, $V_{OUT} = 0 \text{ V}$ | | 75 | | mA | |
| I_{PD} | CE Pull-down Current | $V_{CE} = 5.0 \text{ V}$ | | 0.2 | 0.6 | μA | |
| | | $V_{CE} = 36 \text{ V}$ | | 0.5 | 1.3 | μA | |
| I_{DELAY} | DELAY Current | DELAY = GND | 1.5 | 2.5 | 3.5 | μA | |
| t_{D1} | Soft-start Time 1 | DELAY = OPEN | | 26 | | μs | |
| t_{D2} | Soft-start Time 2 | DELAY = 0.001 μF | 210 | 290 | 415 | μs | |
| V_{CEH} | CE Input Voltage "H" | | 2.2 | | 36 | V | |
| V_{CEL} | CE Input Voltage "L" | | 0 | | 1.0 | V | |
| T_{TSD} | Thermal Shutdown Temperature | Junction Temperature | 150 | 160 | | $^\circ\text{C}$ | |
| T_{TSR} | Thermal Shutdown Released Temperature | Junction Temperature | 125 | 135 | | $^\circ\text{C}$ | |
| R_{LOW} | Low Output Nch Tr. ON Resistance (R1517Jxx1F) | $V_{IN} = 14.0 \text{ V}$, $V_{CE} = 0 \text{ V}$ | 1.0 | 3.2 | 5.0 | k Ω | |

All test items listed under Electrical Characteristics are done under the pulse load condition ($T_j \approx T_a = 25^\circ\text{C}$) except for Soft-start Time 1 and Soft-start Time 2.

Product-specific Electrical Characteristics

The specifications surrounded by are guaranteed by design engineering at $-40^{\circ}\text{C} \leq T_a \leq 125^{\circ}\text{C}$.

R1517Jxx1B/D/E/F (-AE), R1517Sxx2B/D (-AE)

($T_a = 25^{\circ}\text{C}$)

| Product Name | V_{OUT} [V] ($T_a = 25^{\circ}\text{C}$) | | | V_{OUT} [V] ($-40 \leq T_a \leq 125^{\circ}\text{C}$) | | | V_{DIF} [V] | |
|--------------|---|-------|-------|---|-------|---|----------------------|--|
| | Min. | Typ. | Max. | Min. | Typ. | Max. | Typ. | Max. |
| R1517x25xx | 2.480 | 2.500 | 2.520 | 2.455 | 2.500 | 2.545 | / | 1.00 |
| R1517x28xx | 2.778 | 2.800 | 2.822 | 2.750 | 2.800 | 2.850 | | |
| R1517x30xx | 2.977 | 3.000 | 3.024 | 2.946 | 3.000 | 3.054 | | |
| R1517x33xx | 3.274 | 3.300 | 3.326 | 3.241 | 3.300 | 3.359 | 0.45 | 0.77 |
| R1517x34xx | 3.373 | 3.400 | 3.427 | 3.339 | 3.400 | 3.461 | | |
| R1517x50xx | 4.960 | 5.000 | 5.040 | 4.910 | 5.000 | 5.090 | 0.35 | 0.62 |
| R1517x60xx | 5.940 | 6.000 | 6.060 | 5.760 | 6.000 | 6.120 | | |
| R1517x80xx | 7.920 | 8.000 | 8.080 | 7.840 | 8.000 | 8.160 | 0.30 | 0.50 |
| R1517x85xx | 8.415 | 8.500 | 8.585 | 8.330 | 8.500 | 8.670 | | |
| R1517x90xx | 8.910 | 9.000 | 9.090 | 8.820 | 9.000 | 9.180 | | |

$V_{IN} = V_{SET} + 1.0 \text{ V}$, $I_{OUT} = 1 \text{ mA}$, $C_{IN} = C_{OUT} = 0.1 \mu\text{F}$, unless otherwise noted.

R1517xxxxB/D (-KE)

($-40 \leq T_a \leq 125^\circ\text{C}$)

| Symbol | Item | Conditions | Min. | Typ. | Max. | Unit | |
|---|---|---|---|----------------|------|------------------|---|
| V_{OUT} | Output Voltage | $T_a = 25^\circ\text{C}$ | $V_{SET} \leq 5.0 \text{ V}$ | $\times 0.992$ | | $\times 1.008$ | V |
| | | | $V_{SET} > 5.0 \text{ V}$ | $\times 0.99$ | | $\times 1.01$ | V |
| | | $-40^\circ\text{C} \leq T_a \leq 125^\circ\text{C}$ | $V_{SET} \leq 5.0 \text{ V}$ | $\times 0.982$ | | $\times 1.018$ | V |
| | | | $V_{SET} > 5.0 \text{ V}$ | $\times 0.98$ | | $\times 1.02$ | V |
| $\frac{\Delta V_{OUT}}{\Delta I_{OUT}}$ | Load Regulation | $V_{IN} = V_{SET} + 2.0 \text{ V}$ $1 \text{ mA} \leq I_{OUT} \leq 250 \text{ mA}$ | -15 | 3 | 25 | mV | |
| | | $V_{IN} = V_{SET} + 2.0 \text{ V}$ $1 \text{ mA} \leq I_{OUT} \leq 500 \text{ mA}$ | -25 | 5 | 40 | mV | |
| V_{DIF} | Dropout Voltage | $I_{OUT} = 500 \text{ mA}$ | Refer to Product-specific Electrical Characteristics. | | | | |
| I_{SS} | Supply Current | $I_{OUT} = 0 \text{ mA}$ | | 18 | 36 | μA | |
| Istandby | Standby Current | $V_{CE} = 0 \text{ V}$ | | 0.1 | 2.0 | μA | |
| $\frac{\Delta V_{OUT}}{\Delta V_{IN}}$ | Line Regulation | $V_{SET} + 0.5 \text{ V} \leq V_{IN} \leq 36 \text{ V}$, Under the condition of $V_{IN} \geq 3.5 \text{ V}$ | | 0.01 | 0.02 | %/V | |
| I_{LIM} | Output Current Limit | $V_{IN} = V_{SET} + 2.0 \text{ V}$ | 500 | 750 | 1000 | mA | |
| I_{SC} | Short Current Limit | $V_{IN} = 5.0 \text{ V}$, $V_{OUT} = 0 \text{ V}$ | 50 | 75 | 100 | mA | |
| I_{PD} | CE Pull-down Current | $V_{CE} = 5.0 \text{ V}$ | | 0.2 | 0.6 | μA | |
| | | $V_{CE} = 36 \text{ V}$ | | 0.5 | 1.3 | μA | |
| V_{CEH} | CE Input Voltage "H" | | 2.2 | | 36 | V | |
| V_{CEL} | CE Input Voltage "L" | | 0 | | 1.0 | V | |
| T_{TSD} | Thermal Shutdown Temperature | Junction Temperature | 150 | 160 | | $^\circ\text{C}$ | |
| T_{TSR} | Thermal Shutdown Released Temperature | Junction Temperature | 125 | 135 | | $^\circ\text{C}$ | |
| R_{LOW} | Low Output Nch Tr. ON Resistance (R1517xxxxD) | $V_{IN} = 14.0 \text{ V}$, $V_{CE} = 0 \text{ V}$ | 1.0 | 3.2 | 5.0 | k Ω | |

$V_{IN} = V_{FB} (= 2.5 \text{ V}) + 1.0 \text{ V} = 3.5 \text{ V}$, $I_{OUT} = 1 \text{ mA}$, $C_{IN} = 0.1 \mu\text{F}$, $C_{OUT} = 1.0 \mu\text{F}$, unless otherwise noted.

R1517x001C (-KE)

(-40 ≤ Ta ≤ 125°C)

| Symbol | Item | Conditions | Min. | Typ. | Max. | Unit |
|-----------------------------------|---------------------------------------|---|-------|------|-------|------|
| V_{FB} | Feedback Voltage | Ta = 25°C | 2.480 | | 2.520 | V |
| | | -40°C ≤ Ta ≤ 125°C | 2.455 | | 2.545 | V |
| $\Delta V_{OUT} / \Delta I_{OUT}$ | Load Regulation | $V_{IN} = 4.5 \text{ V}$ $1 \text{ mA} \leq I_{OUT} \leq 250 \text{ mA}$ | -10 | 3 | 10 | mV |
| | | $V_{IN} = 4.5 \text{ V}$ $1 \text{ mA} \leq I_{OUT} \leq 500 \text{ mA}$ | -20 | 5 | 20 | mV |
| V_{DIF} | Dropout Voltage | $I_{OUT} = 500 \text{ mA}$ | | | 1.0 | V |
| I_{SS} | Supply Current | $I_{OUT} = 0 \text{ mA}$ | | 18 | 36 | μA |
| Istandby | Standby Current | $V_{CE} = 0 \text{ V}$ | | 0.1 | 2.0 | μA |
| $\Delta V_{OUT} / \Delta V_{IN}$ | Line Regulation | $3.5 \text{ V} \leq V_{IN} \leq 36 \text{ V}$ | | 0.01 | 0.02 | %/V |
| I_{LIM} | Output Current Limit | $V_{IN} = 4.5 \text{ V}$ | 500 | 750 | 1000 | mA |
| I_{SC} | Short Current Limit | $V_{IN} = 5.0 \text{ V}$, $V_{OUT} = V_{FB} = 0 \text{ V}$ | 50 | 75 | 100 | mA |
| I_{PD} | CE Pull-down Current | $V_{CE} = 5.0 \text{ V}$ | | 0.2 | 0.6 | μA |
| | | $V_{CE} = 36 \text{ V}$ | | 0.5 | 1.3 | μA |
| V_{CEH} | CE Input Voltage "H" | | 2.2 | | 36 | V |
| V_{CEL} | CE Input Voltage "L" | | 0 | | 1.0 | V |
| T_{TSD} | Thermal Shutdown Temperature | Junction Temperature | 150 | 160 | | °C |
| T_{TSR} | Thermal Shutdown Released Temperature | Junction Temperature | 125 | 135 | | °C |

■ $V_{OUT} = V_{FB} = 2.5 \text{ V}$ (excluding short circuit current)

$V_{IN} = V_{SET} + 1.0 \text{ V}$, $I_{OUT} = 1 \text{ mA}$, $C_{IN} = C_{OUT} = 0.1 \mu\text{F}$, unless otherwise noted.

R1517Jxx1E/F(-KE)

($-40 \leq T_a \leq 125^\circ\text{C}$)

| Symbol | Item | Conditions | Min. | Typ. | Max. | Unit | |
|---|---|---|---|----------------|------|------------------|---|
| V_{OUT} | Output Voltage | $T_a = 25^\circ\text{C}$ | $V_{SET} \leq 5.0 \text{ V}$ | $\times 0.992$ | | $\times 1.008$ | V |
| | | | $V_{SET} > 5.0 \text{ V}$ | $\times 0.99$ | | $\times 1.01$ | V |
| | | $-40^\circ\text{C} \leq T_a \leq 125^\circ\text{C}$ | $V_{SET} \leq 5.0 \text{ V}$ | $\times 0.982$ | | $\times 1.018$ | V |
| | | | $V_{SET} > 5.0 \text{ V}$ | $\times 0.98$ | | $\times 1.02$ | V |
| $\frac{\Delta V_{OUT}}{\Delta I_{OUT}}$ | Load Regulation | $V_{IN} = V_{SET} + 2.0 \text{ V}$ $1 \text{ mA} \leq I_{OUT} \leq 250 \text{ mA}$ | -15 | 3 | 25 | mV | |
| | | $V_{IN} = V_{SET} + 2.0 \text{ V}$ $1 \text{ mA} \leq I_{OUT} \leq 500 \text{ mA}$ | -25 | 5 | 40 | mV | |
| V_{DIF} | Dropout Voltage | $I_{OUT} = 500 \text{ mA}$ | Refer to Product-specific Electrical Characteristics. | | | | |
| I_{SS} | Supply Current | $I_{OUT} = 0 \text{ mA}$ | | 18 | 36 | μA | |
| Istandby | Standby Current | $V_{CE} = 0 \text{ V}$ | | 0.1 | 2.0 | μA | |
| $\frac{\Delta V_{OUT}}{\Delta V_{IN}}$ | Line Regulation | $V_{SET} + 0.5 \text{ V} \leq V_{IN} \leq 36 \text{ V}$, Under the condition of $V_{IN} \geq 3.5 \text{ V}$ | | 0.01 | 0.02 | %/V | |
| V_{IN} | Input Voltage | | 3.5 | | 36 | V | |
| I_{LIM} | Output Current Limit | $V_{IN} = V_{SET} + 2.0 \text{ V}$ | 500 | 750 | 1000 | mA | |
| I_{SC} | Short Current Limit | $V_{IN} = 5.0 \text{ V}$, $V_{OUT} = 0 \text{ V}$ | 50 | 75 | 100 | mA | |
| I_{PD} | CE Pull-down Current | $V_{CE} = 5.0 \text{ V}$ | | 0.2 | 0.6 | μA | |
| | | $V_{CE} = 36 \text{ V}$ | | 0.5 | 1.3 | μA | |
| I_{DELAY} | DELAY Current | DELAY = GND | 1.5 | 2.5 | 3.5 | μA | |
| V_{CEH} | CE Input Voltage "H" | | 2.2 | | 36 | V | |
| V_{CEL} | CE Input Voltage "L" | | 0 | | 1.0 | V | |
| T_{TSD} | Thermal Shutdown Temperature | Junction Temperature | 150 | 160 | | $^\circ\text{C}$ | |
| T_{TSR} | Thermal Shutdown Released Temperature | Junction Temperature | 125 | 135 | | $^\circ\text{C}$ | |
| R_{LOW} | Low Output Nch Tr. ON Resistance (R1517Jxx1F) | $V_{IN} = 14.0 \text{ V}$, $V_{CE} = 0 \text{ V}$ | 1.0 | 3.2 | 5.0 | k Ω | |

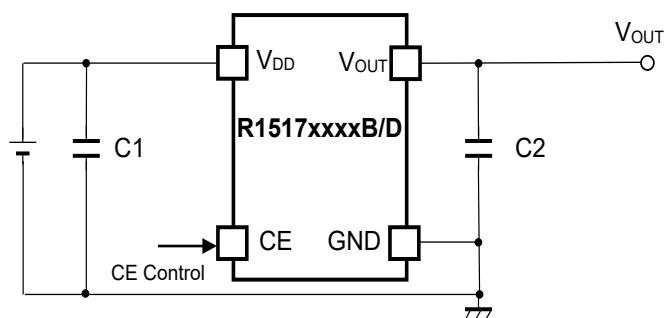
Product-specific Electrical Characteristics

R1517Jxx1B/D/E/F (-KE), R1517Sxx2B/D (-KE)

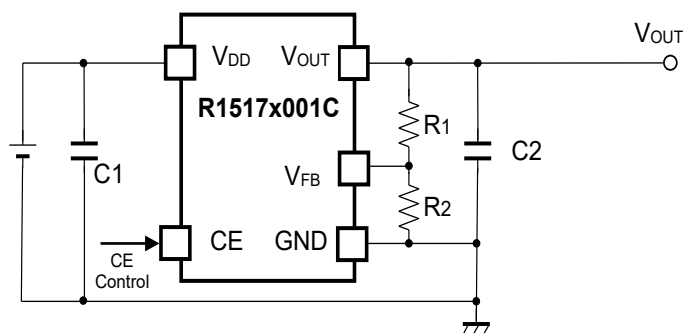
(-40 ≤ Ta ≤ 125°C)

| Product Name | V _{OUT} [V] (Ta = 25°C) | | | V _{OUT} [V] (-40 ≤ Ta ≤ 125°C) | | | V _{DIF} [V] | |
|--------------|----------------------------------|-------|-------|---|-------|-------|----------------------|------|
| | Min. | Typ. | Max. | Min. | Typ. | Max. | Typ. | Max. |
| R1517x25xx | 2.480 | 2.500 | 2.520 | 2.455 | 2.500 | 2.545 | / | 1.00 |
| R1517x28xx | 2.778 | 2.800 | 2.822 | 2.750 | 2.800 | 2.850 | | |
| R1517x30xx | 2.977 | 3.000 | 3.024 | 2.946 | 3.000 | 3.054 | | |
| R1517x33xx | 3.274 | 3.300 | 3.326 | 3.241 | 3.300 | 3.359 | 0.45 | 0.77 |
| R1517x34xx | 3.373 | 3.400 | 3.427 | 3.339 | 3.400 | 3.461 | | |
| R1517x50xx | 4.960 | 5.000 | 5.040 | 4.910 | 5.000 | 5.090 | 0.35 | 0.62 |
| R1517x60xx | 5.940 | 6.000 | 6.060 | 5.760 | 6.000 | 6.120 | | |
| R1517x80xx | 7.920 | 8.000 | 8.080 | 7.840 | 8.000 | 8.160 | | |
| R1517x85xx | 8.415 | 8.500 | 8.585 | 8.330 | 8.500 | 8.670 | 0.30 | 0.50 |
| R1517x90xx | 8.910 | 9.000 | 9.090 | 8.820 | 9.000 | 9.180 | | |

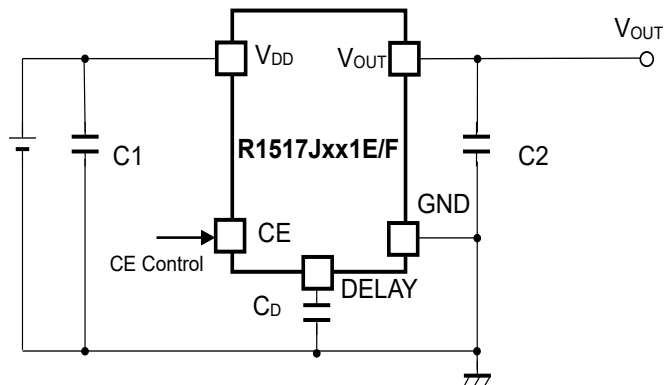
TYPICAL APPLICATION



R1517xxxxB/D Typical Application



R1517x001C Typical Application



R1517Jxx1E/F Typical Application

External Components:

| Symbol | Description |
|-------------------------|-----------------|
| R1517xxxxB/D/E/F | |
| C1 (C _{IN}) | 0.1μF (Ceramic) |
| C2 (C _{OUT}) | 0.1μF (Ceramic) |
| R1517x001C | |
| C1 (C _{IN}) | 0.1μF (Ceramic) |
| C2 (C _{OUT}) | 1.0μF (Ceramic) |

TECHNICAL NOTES

Phase Compensation

In LDO regulators, phase compensation is provided to secure stable operation even when the load current is varied. For this purpose, use the capacitor C2 of 0.1 μF or more (R1517xxxxB/D/E/F) / 1.0 μF or more (R1517x001C).

When using a tantalum type capacitor and the ESR (Equivalent Series Resistance) value is large, the output might be unstable. Evaluate the circuit including consideration of frequency characteristics.

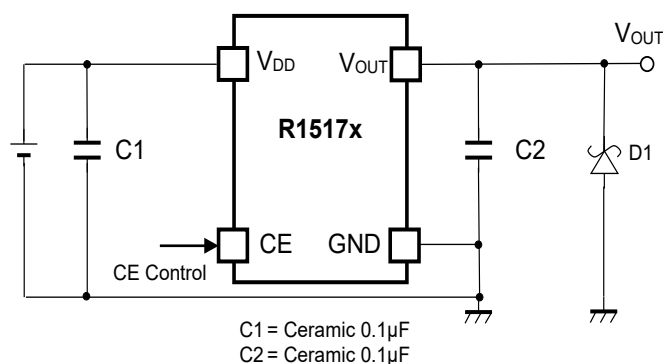
For the externally adjustable output voltage type (R1517x001C), use 10 k Ω or lower resistance R2.

PCB Layout

Ensure the V_{DD} and GND lines are sufficiently robust. If their impedance is too high, noise pickup or unstable operation may result. Connect 0.1 μF or more of the capacitor C1 between the V_{DD} and GND, and as close as possible to the pins.

In addition, connect the capacitor C2 between V_{OUT} and GND, and as close as possible to the pins.

TYPICAL APPLICATION FOR IC CHIP BREAKDOWN PREVENTION



When a sudden surge of electrical current travels along the V_{OUT} pin and GND due to a short-circuit, electrical resonance of a circuit involving an output capacitor (C2) and a short circuit inductor generates a negative voltage and may damage the device or the load devices. Connecting a schottky diode (D1) between the V_{OUT} pin and GND has the effect of preventing damage to them.

OPERATION DESCRIPTION

Thermal Shutdown Function

Thermal shutdown function is included in this device. If the junction temperature is more than or equal to 160°C (Typ.), the operation of the regulator would stop. After that, when the junction temperature is less than or equal to 135°C (Typ.), the operation of the regulator would restart. Unless the cause of rising temperature is removed, the regulator repeats on and off, and output waveform would be like consecutive pulses.

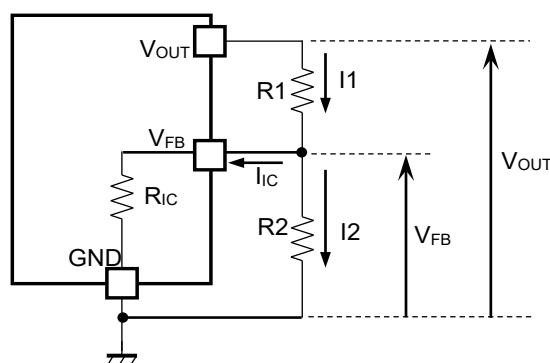
Adjustable Output Voltage Setting (R1517x001C)

The output voltage of R1517x001C can be adjusted by using the external divider resistors (R1, R2). By using the following equation, the output voltage (V_{OUT}) can be determined. The voltage which is fixed inside the IC is described as V_{FB} .

$$V_{OUT} = V_{FB} \times ((R1 + R2) / R2)$$

$$\text{Recommended Range: } 2.5 \text{ V} \leq V_{OUT} \leq 20.0 \text{ V}$$

$$V_{FB} = 2.5 \text{ V}$$



Output Voltage Adjustment Using External Divider Resistors (R1, R2)

R_{IC} of the R1517x001C is approximately Typ. 1.35 M Ω ($T_a=25^\circ\text{C}$, guaranteed by design engineering). For better accuracy, setting $R1 \ll R_{IC}$ reduces errors. The resistance value for R2 should be set to 10 k Ω or lower. It is easily affected by noises when setting the value of R1 and R2 larger, which makes the impedance of V_{FB} pin larger.

R_{IC} could be affected by the temperature, therefore evaluate the circuit taking the actual conditions of use into account when deciding the resistance values for R1 and R2.

Soft-start Function

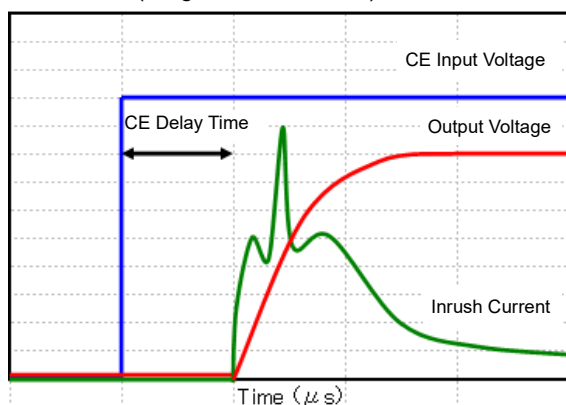
R1517x is equipped with a constant slope circuit, which achieves a soft-start function. This circuit allows the output voltage to start up gradually when the CE is turned on. The constant slope circuit minimizes the inrush current at the start-up and also prevents the overshoot of the output voltage. For R1517xxxxB/C/D, the capacitor to create the start-up slope is built in this device that does not require any external components. The start-up time and the start-up slope angle are fixed inside the device. In R1517Jxx1E/F, the soft-start time is adjustable by inserting the external capacitor to DELAY pin. By using the following equation, the relation between the soft-start time t_D [s] and DELAY pin capacitor C_D [F] is determined.

$$t_D = ((C_D + 90 \times 10^{-12}) / I_{\text{DELAY}}) \times 0.73$$

When the capacitor C_D is not used in R1517Jxx1E/F, use the DELAY pin as OPEN. At that time, $C_D = 0$ in the above equation, therefore the start-up time is about 26 μs . However, be sure to consider approximately 50 μs of CE delay time.

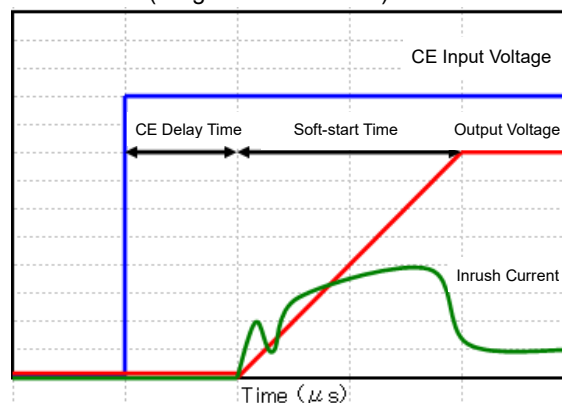
Conventional Inrush Current Limit Circuit

(Diagrammatic sketch)



Constant Slope Circuit

(Diagrammatic sketch)



PACKAGE INFORMATION

POWER DISSIPATION (HSOP-6J)

The power dissipation of the package is dependent on PCB material, layout, and environmental conditions. The following conditions are used in this measurement.

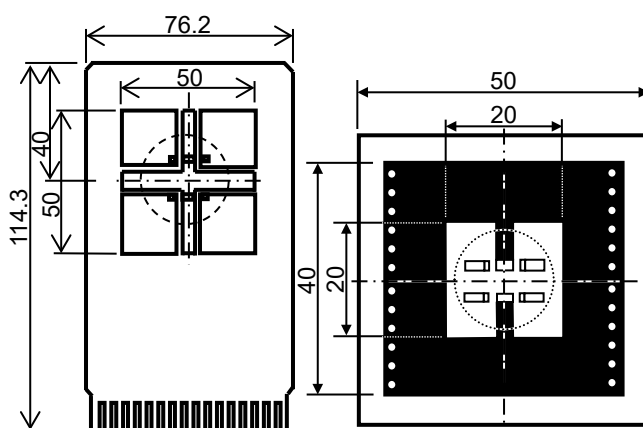
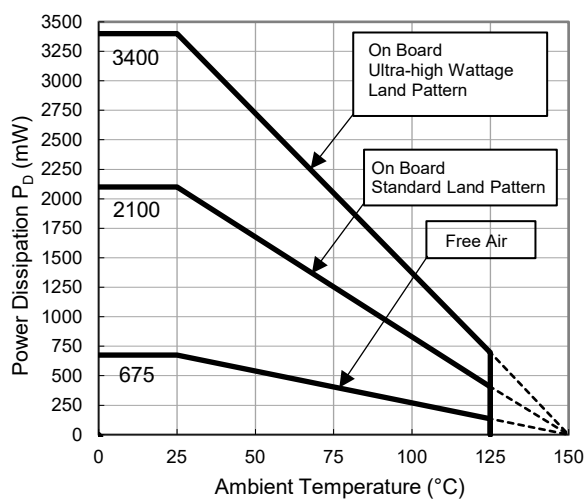
Measurement Conditions

| | Ultra-high Wattage Land Pattern | Standard Land Pattern |
|------------------|---|---|
| Environment | Mounting on Board (Wind Velocity = 0 m/s) | Mounting on Board (Wind Velocity = 0 m/s) |
| Board Material | Glass Cloth Epoxy Plastic (Four-layer Board) | Glass Cloth Epoxy Plastic (Double-sided Board) |
| Board Dimensions | 76.2 mm × 114.3 mm × 0.8 mm | 50 mm × 50 mm × 1.6 mm |
| Copper Ratio | 96% | 50% |
| Through-holes | φ 0.3 mm × 28 pcs | φ 0.5 mm × 24 pcs |

Measurement Result

($T_a = 25^\circ\text{C}$, $T_{j\text{max}} = 150^\circ\text{C}$)

| | Ultra-high Wattage Land Pattern | Standard Land Pattern | Free Air |
|--------------------|---------------------------------|-----------------------|----------|
| Power Dissipation | 3400 mW | 2100 mW | 675 mW |
| Thermal Resistance | 37°C/W | 59°C/W | 185°C/W |



Ultra-high Wattage

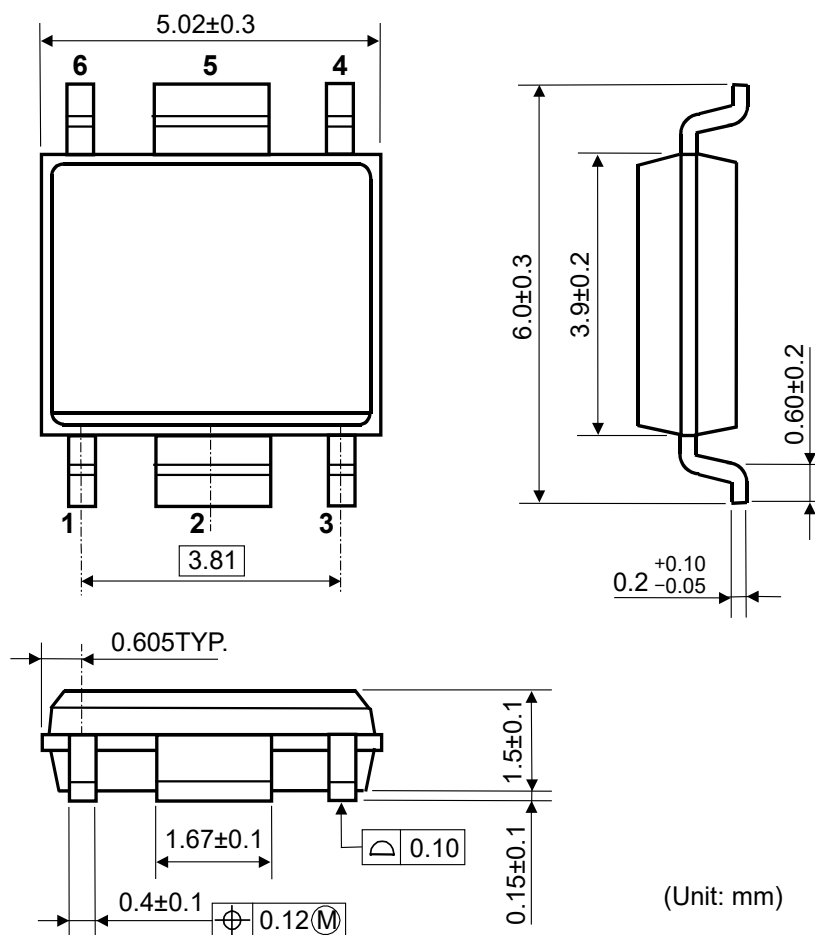
Standard

○ IC Mount Area (mm)

Power Dissipation vs. Ambient Temperature

Measurement Board Pattern

PACKAGE DIMENSIONS (HSOP-6J)

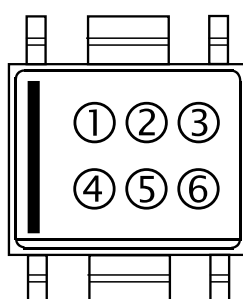


HSOP-6J Package Dimensions

MARK SPECIFICATION (HSOP-6J)

①②③④: Product Code ... Refer to R1517S MARK SPECIFICATION TABLE

⑤⑥: Lot Number ... Alphanumeric Serial Number



HSOP-6J Mark Specification

R1517S MARK SPECIFICATION TABLE (HSOP-6J)

R1517Sxx2B

| Product Name | ①②③④ | V _{SET} |
|--------------|---------|------------------|
| R1517S252B | V 6 2 5 | 2.5 V |
| R1517S282B | V 6 2 8 | 2.8 V |
| R1517S302B | V 6 3 0 | 3.0 V |
| R1517S332B | V 6 3 3 | 3.3 V |
| R1517S342B | V 6 3 4 | 3.4 V |
| R1517S502B | V 6 5 0 | 5.0 V |
| R1517S602B | V 6 6 0 | 6.0 V |
| R1517S802B | V 6 8 0 | 8.0 V |
| R1517S852B | V 6 8 5 | 8.5 V |
| R1517S902B | V 6 9 0 | 9.0 V |

R1517S001C (Adjustable Output Voltage Setting Type)

| Product Name | ①②③④ | V _{SET} |
|--------------|---------|------------------|
| R1517S001C | V 2 0 1 | — |

R1517Sxx2D

| Product Name | ①②③④ | V _{SET} |
|--------------|---------|------------------|
| R1517S252D | V 7 2 5 | 2.5 V |
| R1517S282D | V 7 2 8 | 2.8 V |
| R1517S302D | V 7 3 0 | 3.0 V |
| R1517S332D | V 7 3 3 | 3.3 V |
| R1517S342D | V 7 3 4 | 3.4 V |
| R1517S502D | V 7 5 0 | 5.0 V |
| R1517S602D | V 7 6 0 | 6.0 V |
| R1517S802D | V 7 8 0 | 8.0 V |
| R1517S852D | V 7 8 5 | 8.5 V |
| R1517S902D | V 7 9 0 | 9.0 V |

POWER DISSIPATION (TO-252-5-P2)

Power Dissipation (P_D) depends on conditions of mounting on board. This specification is based on the measurement at the condition below:

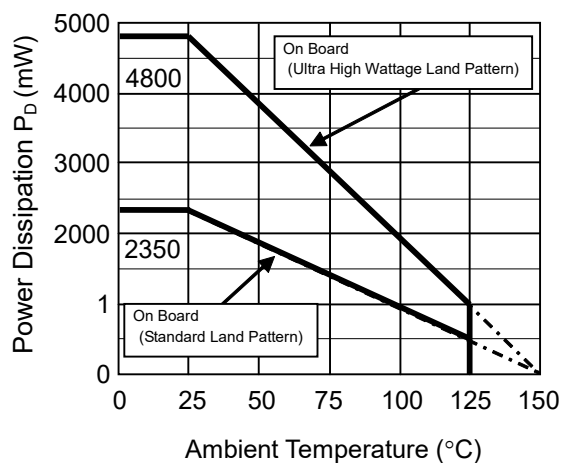
Measurement Conditions

| | Ultra High Wattage Land Pattern | Standard Land Pattern |
|------------------|--|--|
| Environment | Mounting on board (Wind velocity 0 m/s) | |
| Board Material | Glass cloth epoxy plastic (Four-layers) | Glass cloth epoxy plastic (Double layers) |
| Board Dimensions | 76.2 mm x 114.3 mm x 0.8 mm | 50 mm x 50 mm x 1.6 mm |
| Copper Ratio | Top, Back side: Approx. 96%, 2nd, 3rd: 100% | Top side: Approx. 50%, Back side: Approx. 50% |
| Through - hole | ϕ 0.4 mm x 30 pcs | ϕ 0.5 mm x 24 pcs |

Measurement Result

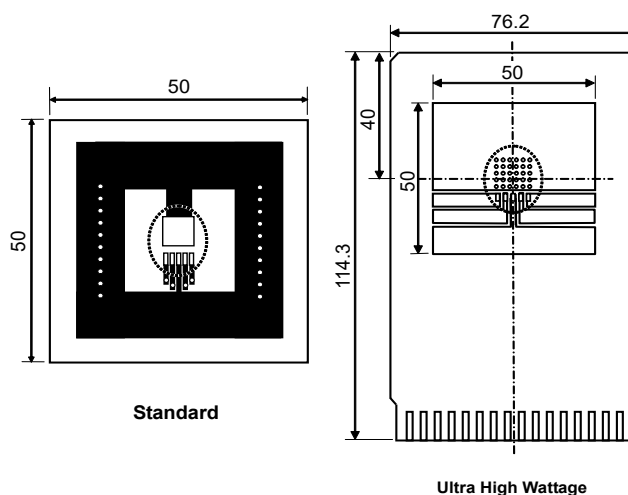
($T_a = 25^\circ\text{C}$, $T_{j\text{max}} = 150^\circ\text{C}$)

| | Ultra High Wattage Land Pattern | Standard Land Pattern |
|--------------------|---|--|
| Power Dissipation | 4800 mW | 2350 mW |
| Thermal Resistance | $\theta_{ja} = (150-25^\circ\text{C})/4.8 \text{ W} = 26^\circ\text{C/W}$ | $\theta_{ja} = (150-25^\circ\text{C})/2.35 \text{ W} = 53^\circ\text{C/W}$ |
| | $\theta_{jc} = 7^\circ\text{C/W}$ | $\theta_{jc} = 17^\circ\text{C/W}$ |



Power Dissipation

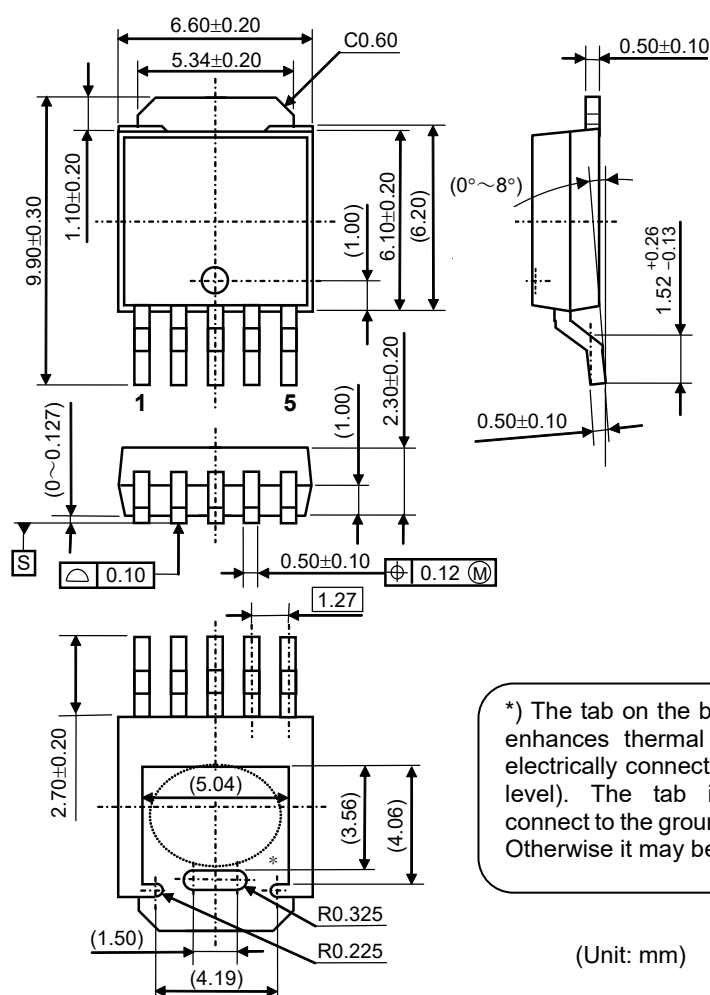
Power Dissipation vs. Ambience Temperature



IC Mount Area (Unit: mm)

Measurement Board Pattern

PACKAGE DIMENSIONS (TO-252-5-P2)



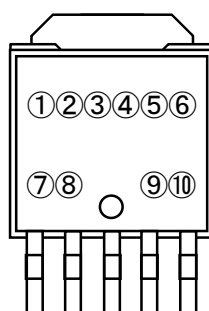
*) The tab on the bottom of the package enhances thermal performance and is electrically connected to GND (substrate level). The tab is recommended to connect to the ground plane on the board. Otherwise it may be left floating.

TO-252-5-P2 Package Dimensions

MARK SPECIFICATION (TO-252-5-P2)

①②③④⑤⑥⑦⑧: Product Code ... **Refer to R1517J MARK SPECIFICATION TABLE**

⑨⑩: Lot Number ... Alphanumeric Serial Number



TO-252-5-P2 Mark Specification

R1517J MARK SPECIFICATION TABLE (TO-252-5-P2)

R1517Jxx1B

| Product Name | ①②③④⑤⑥⑦⑧ | V _{SET} |
|--------------|---------------|------------------|
| R1517J251B | K 1 J 2 5 1 B | 2.5 V |
| R1517J281B | K 1 J 2 8 1 B | 2.8 V |
| R1517J301B | K 1 J 3 0 1 B | 3.0 V |
| R1517J331B | K 1 J 3 3 1 B | 3.3 V |
| R1517J341B | K 1 J 3 4 1 B | 3.4 V |
| R1517J501B | K 1 J 5 0 1 B | 5.0 V |
| R1517J601B | K 1 J 6 0 1 B | 6.0 V |
| R1517J801B | K 1 J 8 0 1 B | 8.0 V |
| R1517J851B | K 1 J 8 5 1 B | 8.5 V |
| R1517J901B | K 1 J 9 0 1 B | 9.0 V |

R1517J001C (Adjustable Output Voltage Setting Type)

| Product Name | ①②③④⑤⑥⑦⑧ | V _{SET} |
|--------------|---------------|------------------|
| R1517J001C | K 2 J 0 0 1 C | — |

R1517Jxx1D

| Product Name | ①②③④⑤⑥⑦⑧ | V _{SET} |
|--------------|---------------|------------------|
| R1517J251D | K 3 J 2 5 1 D | 2.5 V |
| R1517J281D | K 3 J 2 8 1 D | 2.8 V |
| R1517J301D | K 3 J 3 0 1 D | 3.0 V |
| R1517J331D | K 3 J 3 3 1 D | 3.3 V |
| R1517J341D | K 3 J 3 4 1 D | 3.4 V |
| R1517J501D | K 3 J 5 0 1 D | 5.0 V |
| R1517J601D | K 3 J 6 0 1 D | 6.0 V |
| R1517J801D | K 3 J 8 0 1 D | 8.0 V |
| R1517J851D | K 3 J 8 5 1 D | 8.5 V |
| R1517J901D | K 3 J 9 0 1 D | 9.0 V |

R1517Jxx1E

| Product Name | ①②③④⑤⑥⑦⑧ | V _{SET} |
|--------------|---------------|------------------|
| R1517J251E | K 4 J 2 5 1 E | 2.5 V |
| R1517J281E | K 4 J 2 8 1 E | 2.8 V |
| R1517J301E | K 4 J 3 0 1 E | 3.0 V |
| R1517J331E | K 4 J 3 3 1 E | 3.3 V |
| R1517J341E | K 4 J 3 4 1 E | 3.4 V |
| R1517J501E | K 4 J 5 0 1 E | 5.0 V |
| R1517J601E | K 4 J 6 0 1 E | 6.0 V |
| R1517J801E | K 4 J 8 0 1 E | 8.0 V |
| R1517J851E | K 4 J 8 5 1 E | 8.5 V |
| R1517J901E | K 4 J 9 0 1 E | 9.0 V |

R1517Jxx1F

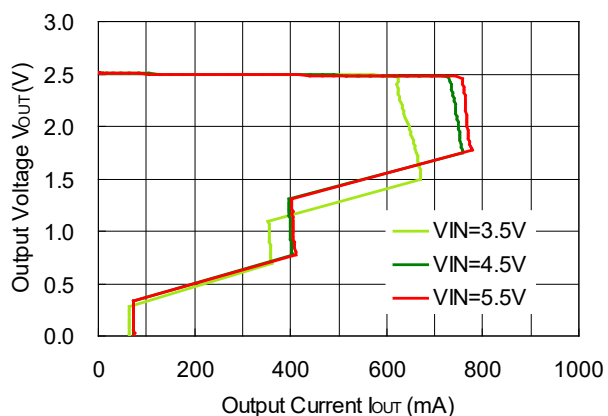
| Product Name | ①②③④⑤⑥⑦⑧ | V _{SET} |
|--------------|---------------|------------------|
| R1517J251F | K 5 J 2 5 1 F | 2.5 V |
| R1517J281F | K 5 J 2 8 1 F | 2.8 V |
| R1517J301F | K 5 J 3 0 1 F | 3.0 V |
| R1517J331F | K 5 J 3 3 1 F | 3.3 V |
| R1517J341F | K 5 J 3 4 1 F | 3.4 V |
| R1517J501F | K 5 J 5 0 1 F | 5.0 V |
| R1517J601F | K 5 J 6 0 1 F | 6.0 V |
| R1517J801F | K 5 J 8 0 1 F | 8.0 V |
| R1517J851F | K 5 J 8 5 1 F | 8.5 V |
| R1517J901F | K 5 J 9 0 1 F | 9.0 V |

TYPICAL CHARACTERISTICS

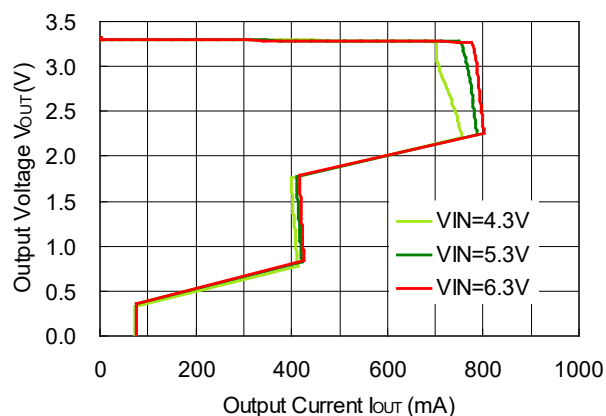
Note: Typical Characteristics are intended to be used as reference data; they are not guaranteed.

1) Output Voltage vs. Output Current (Ta = 25°C)

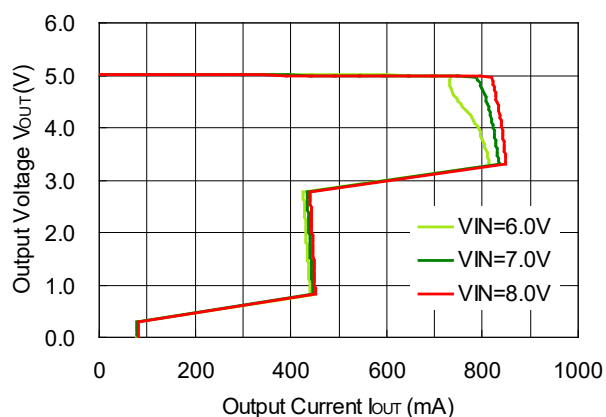
R1517x25xx, R1517x001C



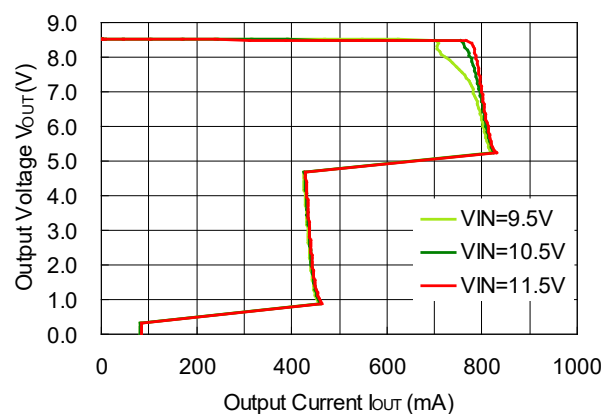
R1517x33xx



R1517x50xx

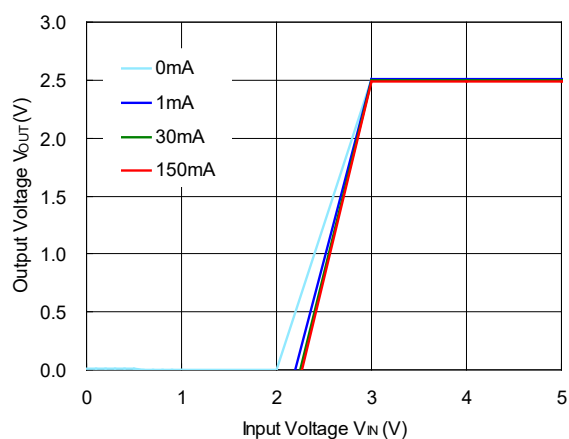


R1517x85xx

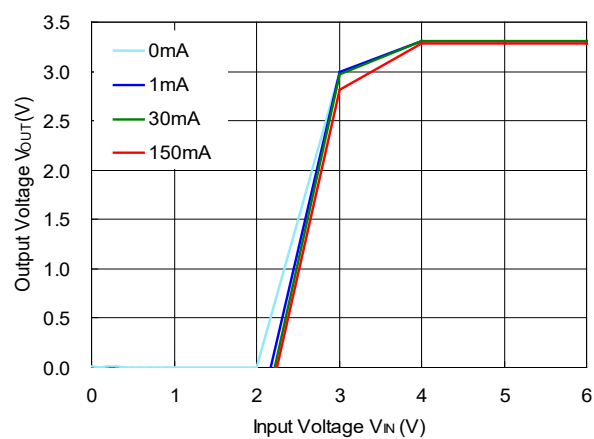


2) Output Voltage vs. Input Voltage (Ta = 25°C)

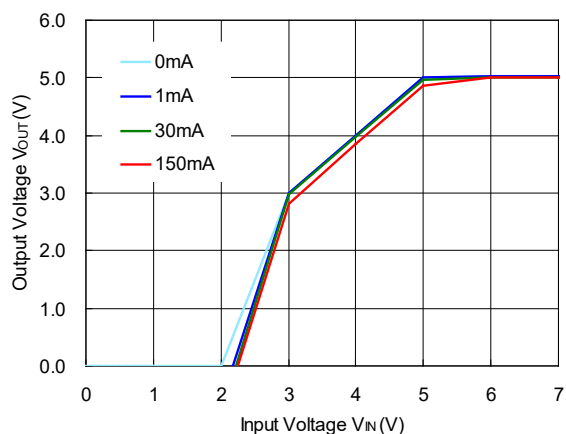
R1517x25xx



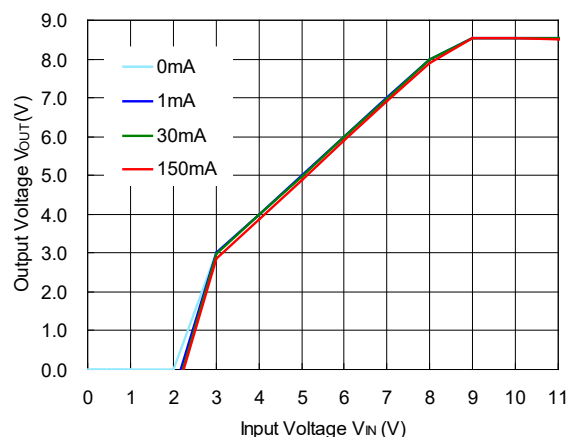
R1517x33xx



R1517x50xx

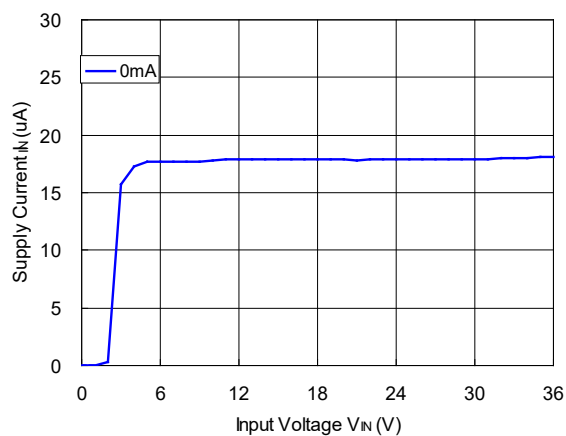


R1517x85xx

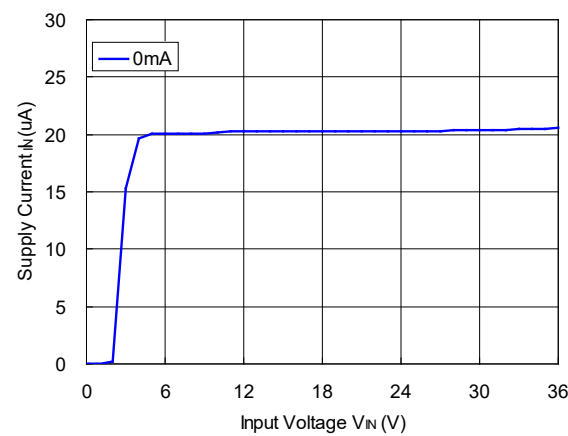


3) Supply Current vs. Input Voltage

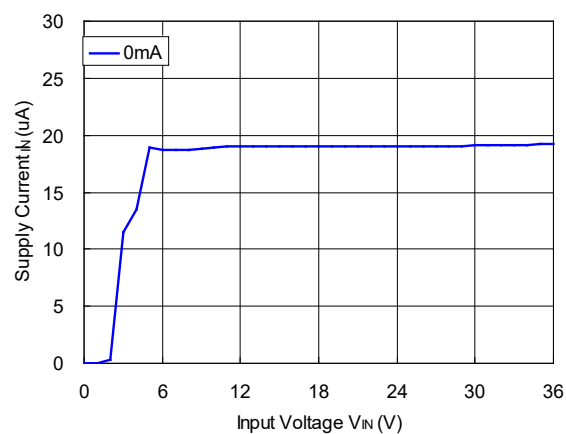
R1517x25xx, R1517x001C



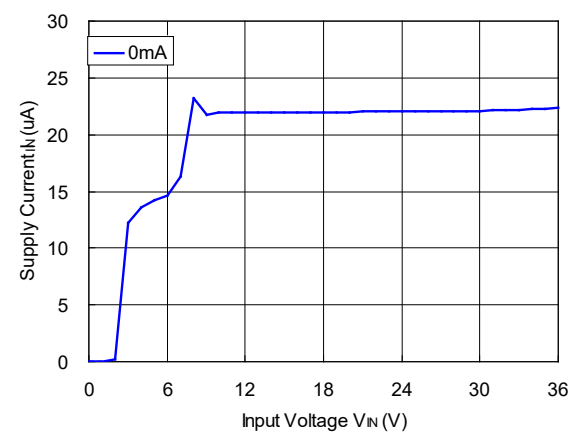
R1517x33xx



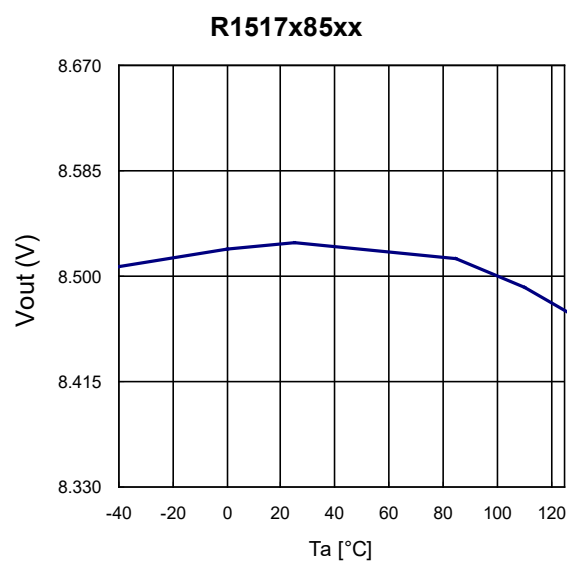
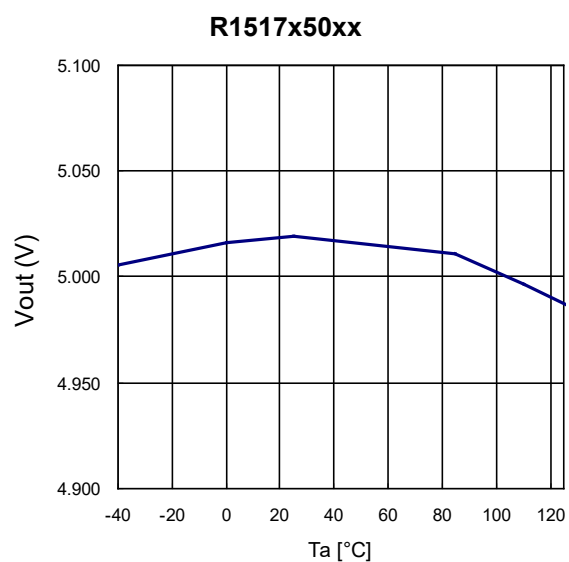
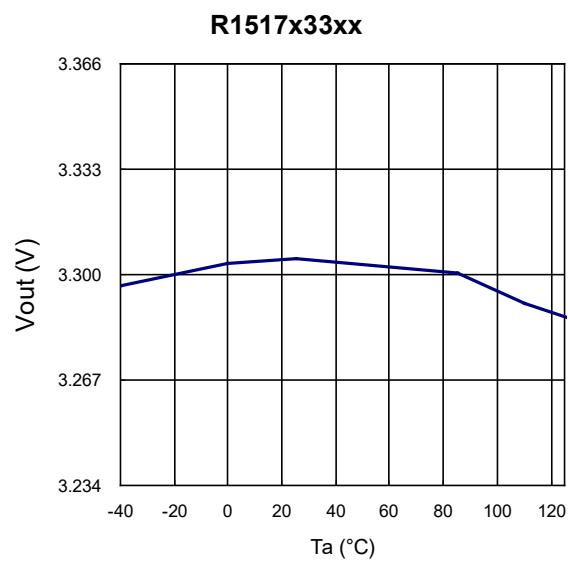
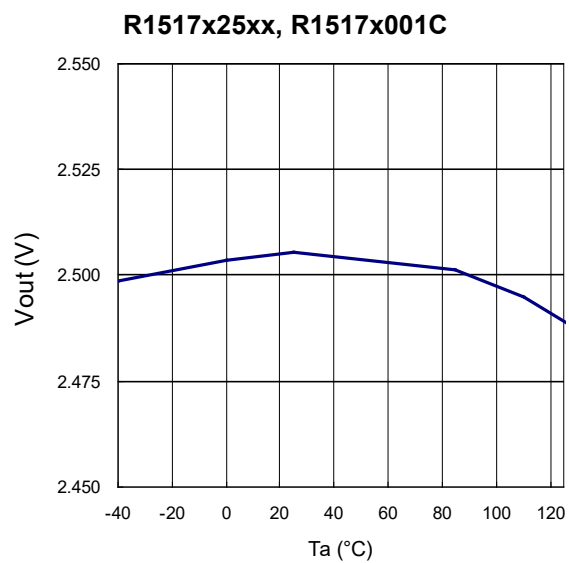
R1517x50xx



R1517x85xx

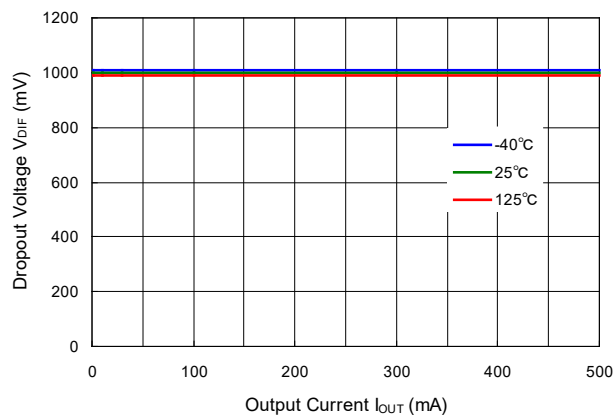


4) Output Voltage vs. Operating Temperature

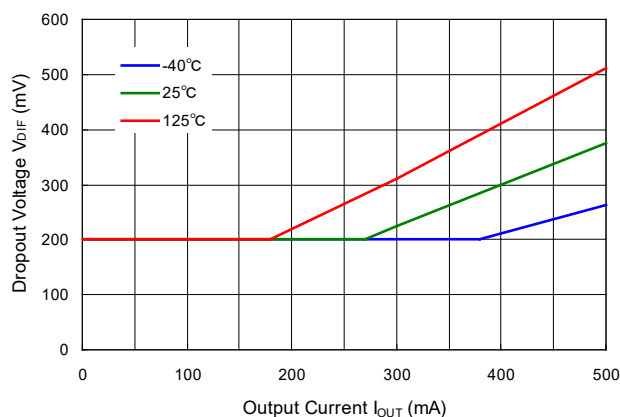


5) Dropout Voltage vs. Output Current

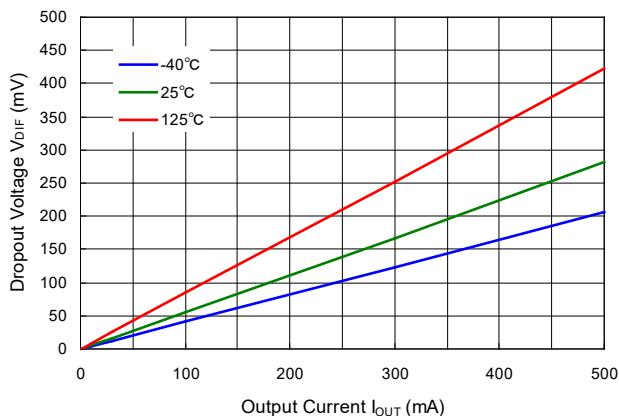
R1517x25xx, R1517x001C



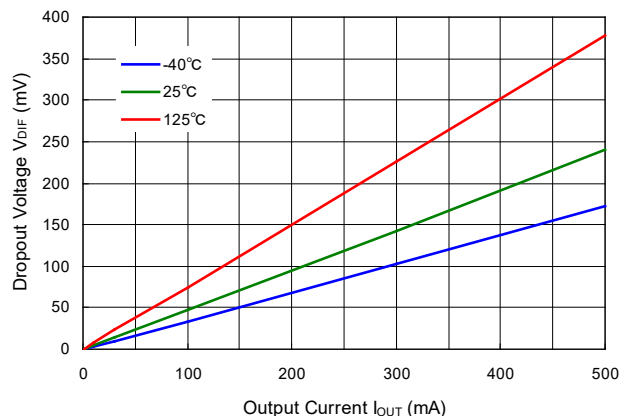
R1517x33xx



R1517x50xx

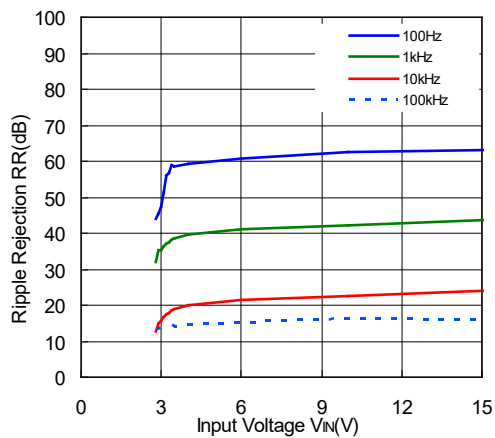


R1517x85xx

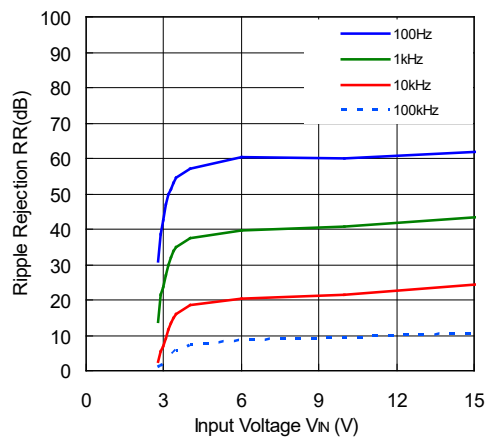


6) Ripple Rejection vs. Input Voltage (Ta = 25°C, Ripple = 0.5 Vpp)

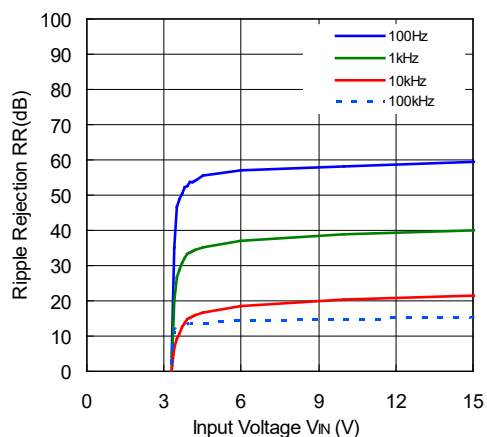
R1517x25xx, R1517x001C (I_OUT = 1 mA)



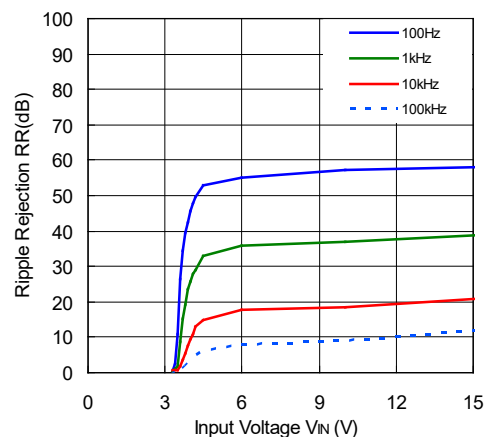
R1517x25xx, R1517x001C (I_OUT = 150 mA)



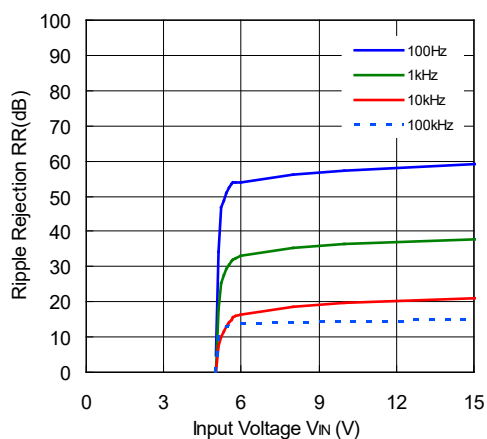
R1517x33xx (I_{OUT} = 1 mA)



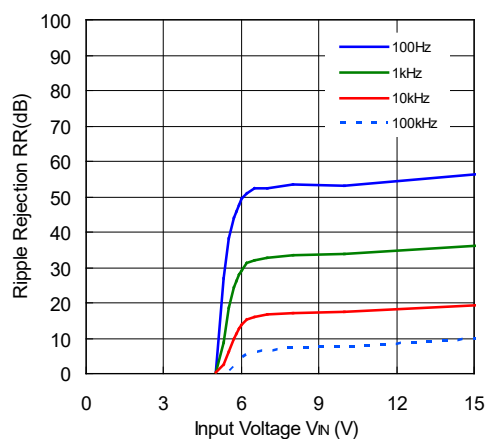
R1517x33xx (I_{OUT} = 150 mA)



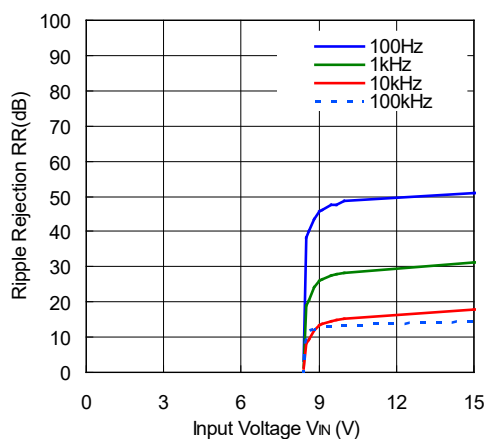
R1517x50xx (I_{OUT} = 1 mA)



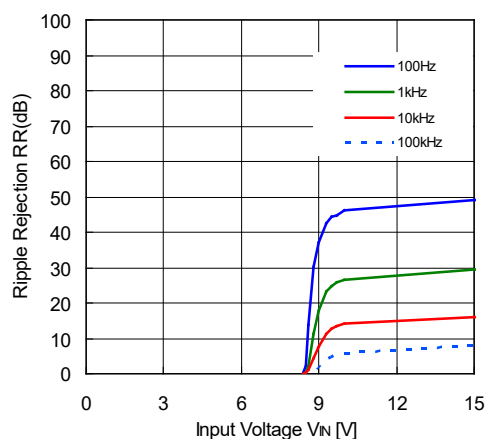
R1517x50xx (I_{OUT} = 150 mA)



R1517x85xx (I_{OUT} = 1 mA)

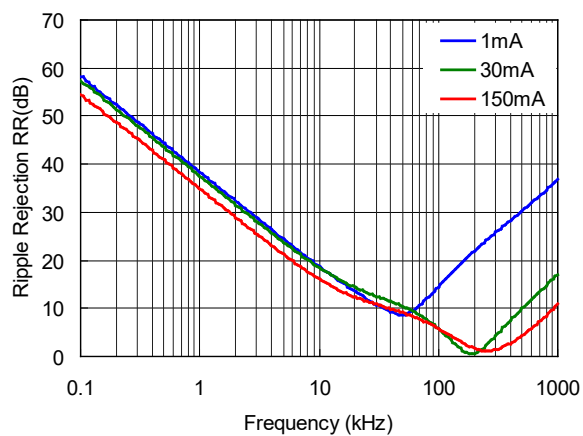


R1517x85xx (I_{OUT} = 150 mA)

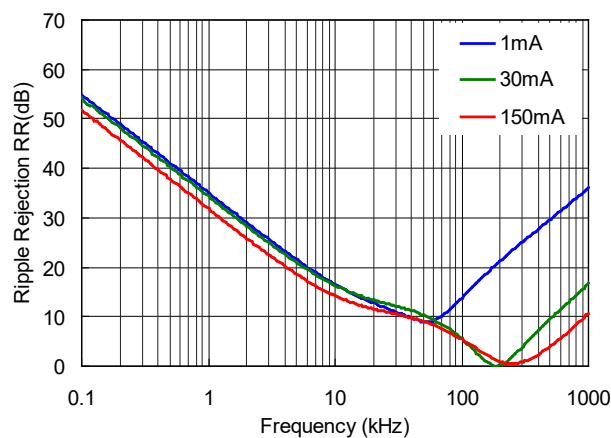


7) Ripple Rejection vs. Frequency ($T_a = 25^\circ\text{C}$, Ripple = 0.5 Vpp)

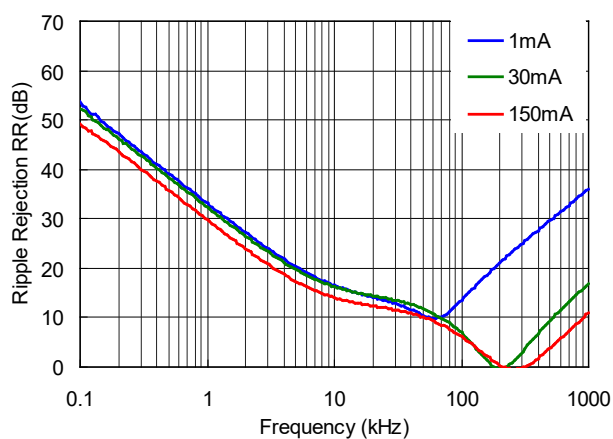
R1517x25xx, R1517x001C



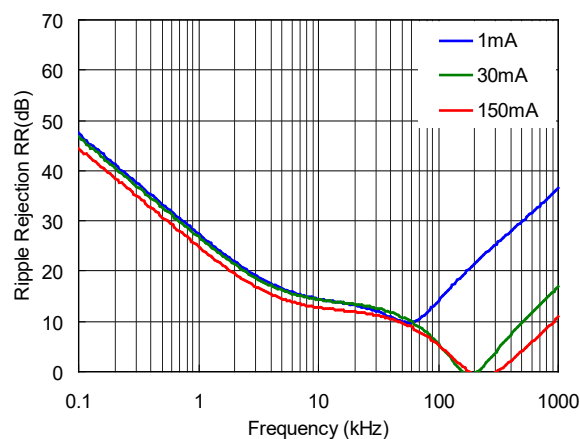
R1517x33xx



R1517x50xx

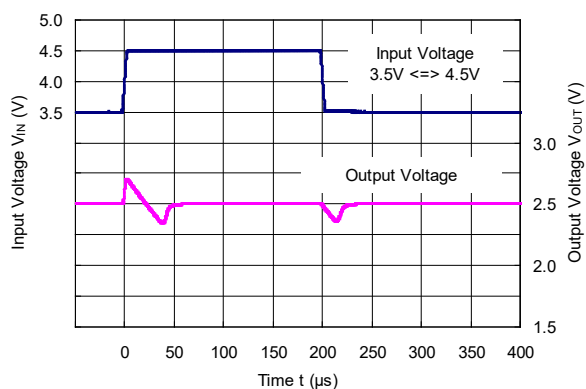


R1517x85xx

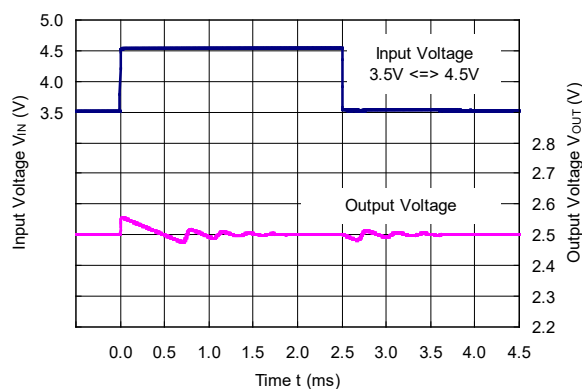


8) Input Transient Response ($T_a = 25^\circ\text{C}$, $I_{OUT} = 1\text{ mA}$, $t_r = t_f = 5\ \mu\text{s}$)

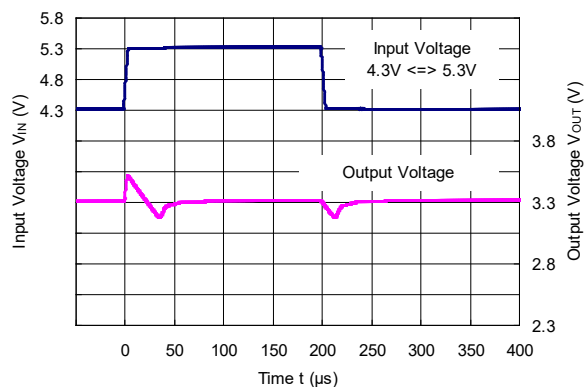
R1517x25xx, R1517x001C ($C_2 = 0.1\ \mu\text{F}$)



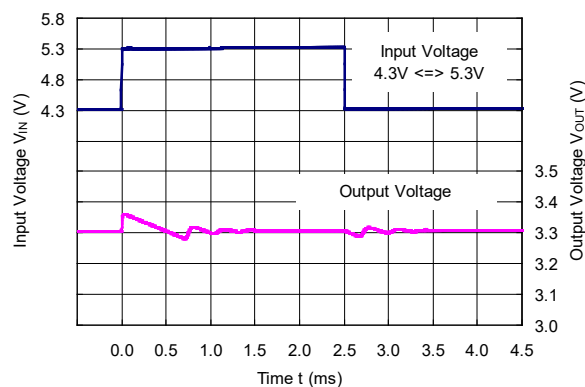
R1517x25xx, R1517x001C ($C_2 = 10\ \mu\text{F}$)



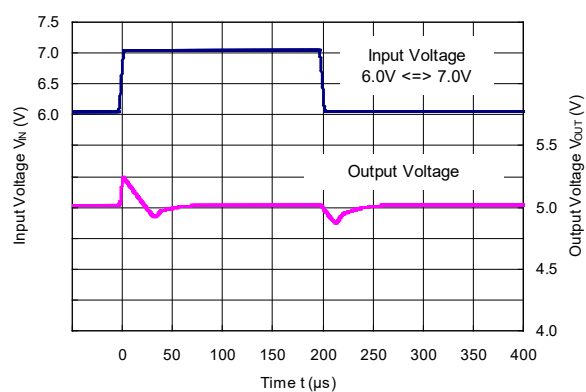
R1517x33xx (C2 = 0.1 μ F)



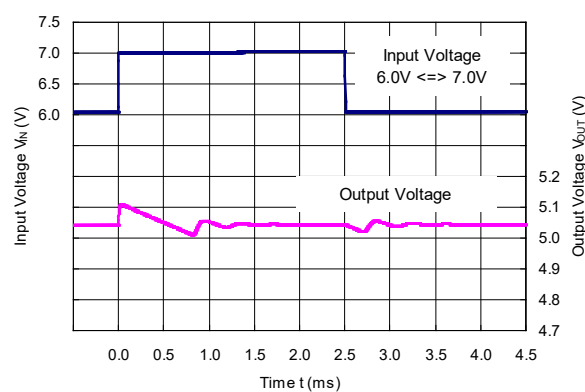
R1517x33xx (C2 = 10 μ F)



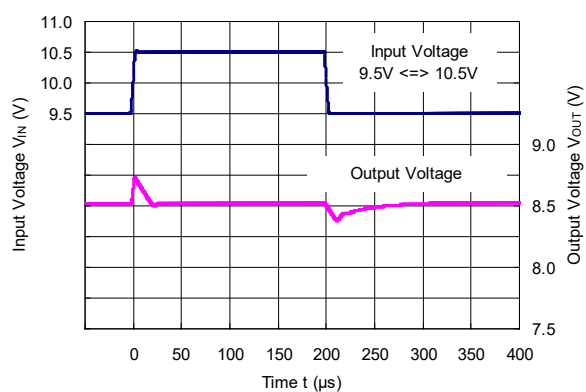
R1517x50xx (C2 = 0.1 μ F)



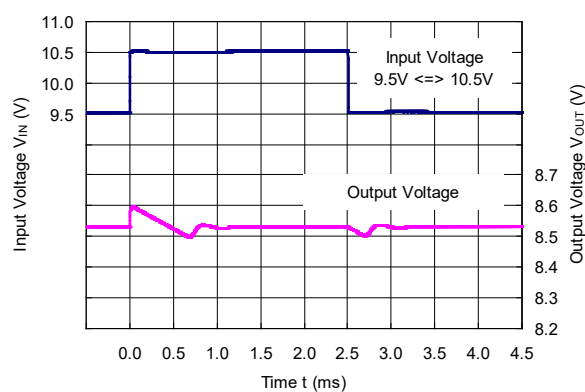
R1517x50xx (C2 = 10 μ F)



R1517x85xx (C2 = 0.1 μ F)

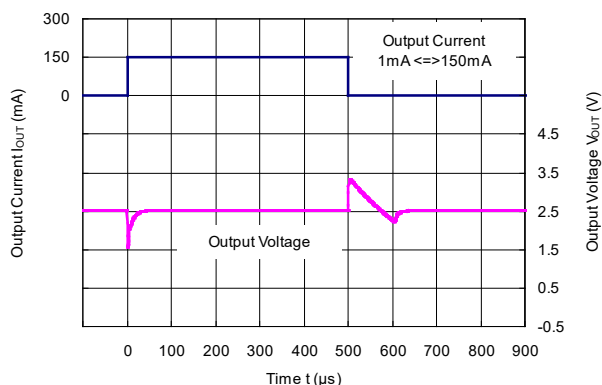


R1517x85xx (C2 = 10 μ F)

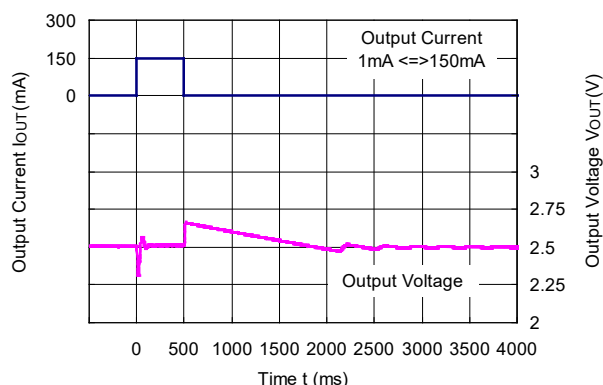


9) Load Transient Response ($T_a = 25^\circ\text{C}$, $V_{IN} = V_{OUT} + 1.0\text{ V}$, $t_r = t_f = 0.5\ \mu\text{s}$)

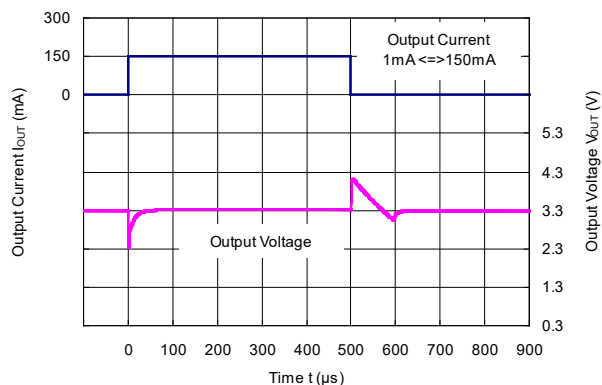
R1517x25xx, R1517x001C ($C_2 = 0.1\ \mu\text{F}$)



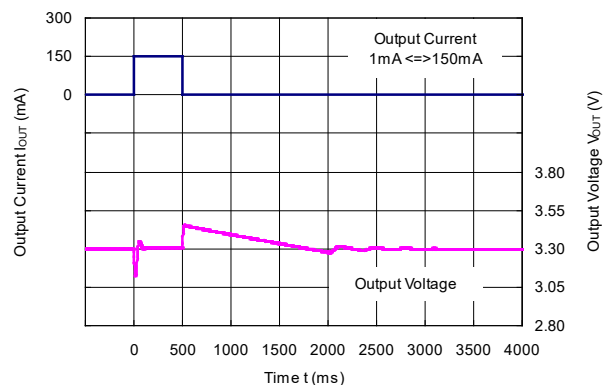
R1517x25xx, R1517x001C ($C_2 = 10\ \mu\text{F}$)



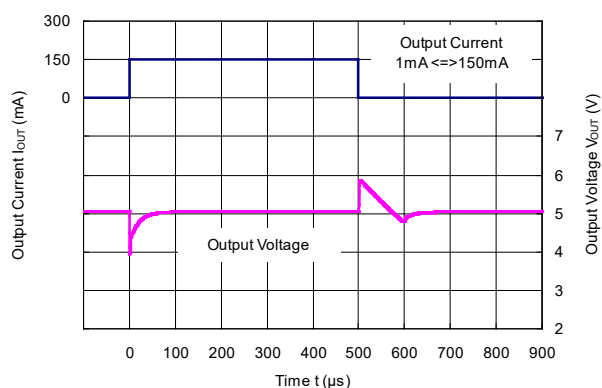
R1517x33xx ($C_2 = 0.1\ \mu\text{F}$)



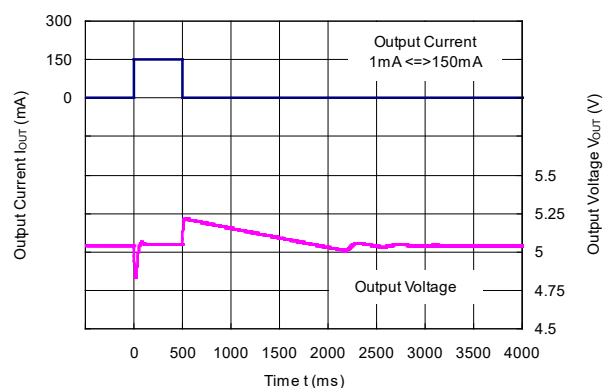
R1517x33xx ($C_2 = 10\ \mu\text{F}$)



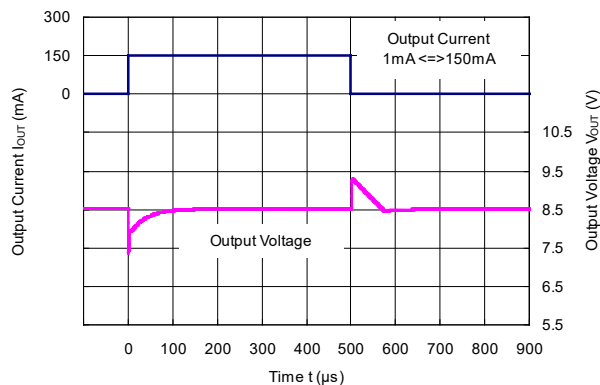
R1517x50xx ($C_2 = 0.1\ \mu\text{F}$)



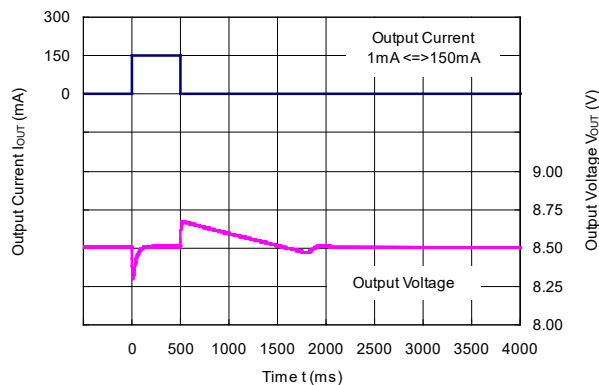
R1517x50xx ($C_2 = 10\ \mu\text{F}$)



R1517x85xx (C2 = 0.1 μ F)

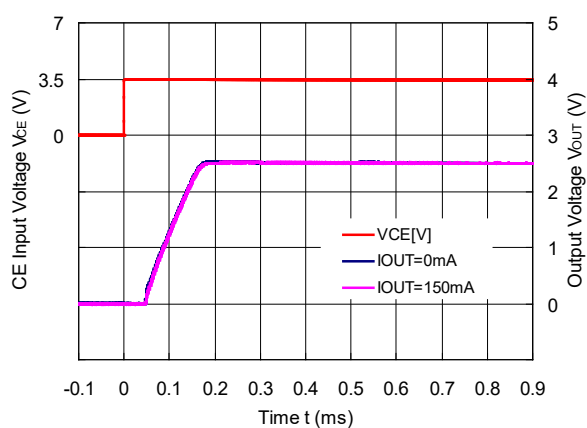


R1517x85xx (C2 = 10 μ F)

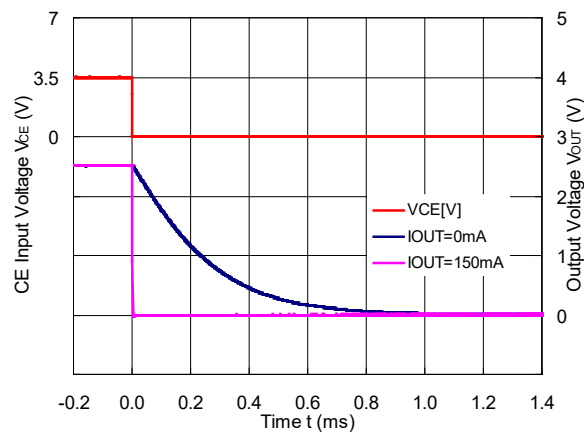


10) CE Transient Response ($T_a = 25^\circ\text{C}$, $I_{OUT} = 1\text{ mA}$)

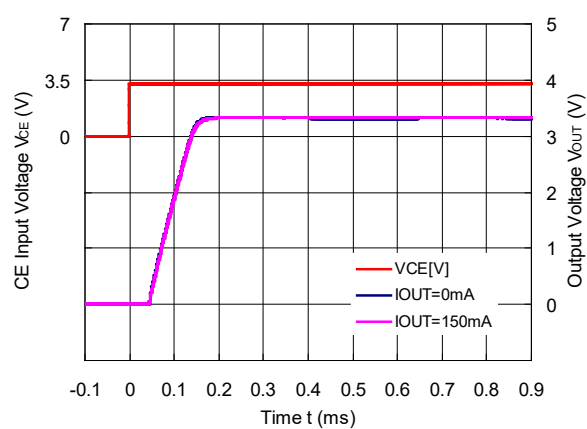
R1517x25xB/D, R1517x001C (C2 = 0.1 μ F)



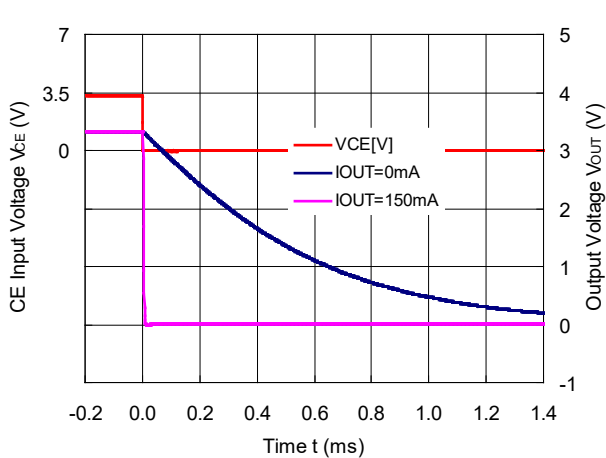
R1517x25xD (C2 = 0.1 μ F)



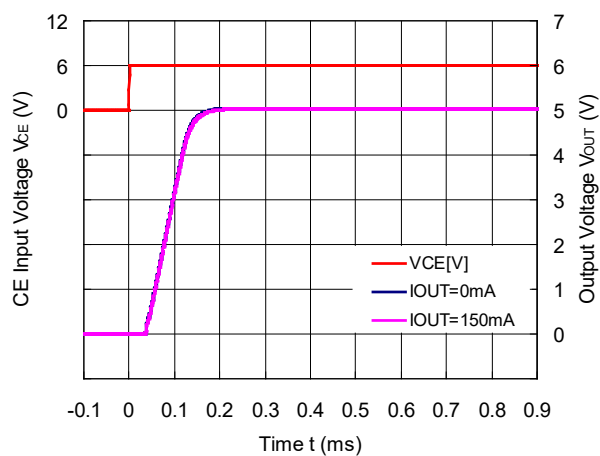
R1517x33xB/D (C2 = 0.1 μ F)



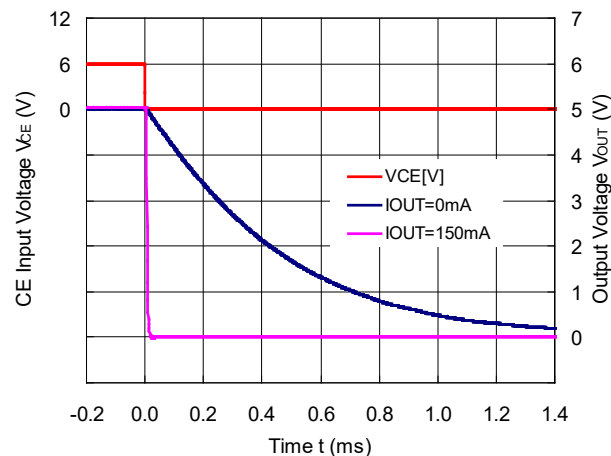
R1517x33xD (C2 = 0.1 μ F)



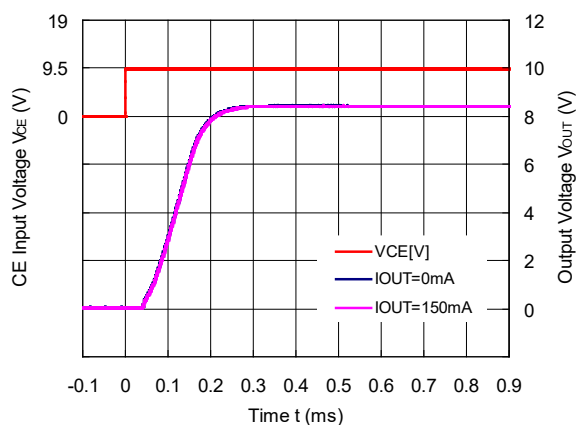
R1517x50xB/D (C2 = 0.1 μ F)



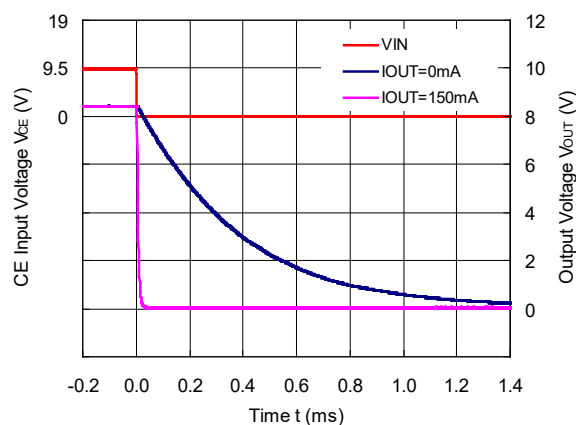
R1517x50xD (C2 = 0.1 μ F)



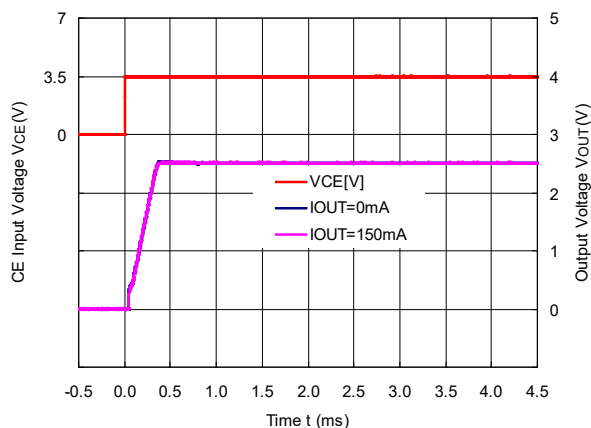
R1517x85xB/D (C2 = 0.1 μ F)



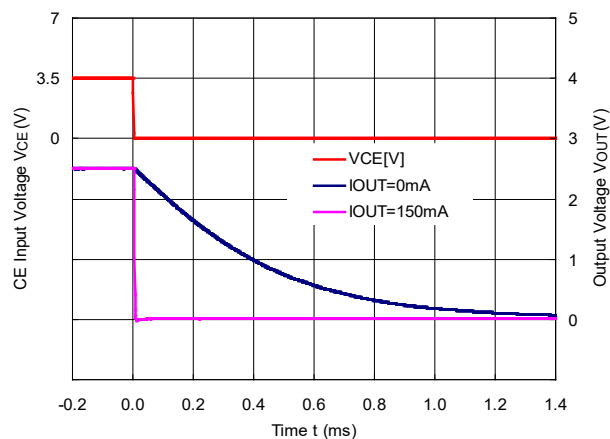
R1517x85xD (C2 = 0.1 μ F)



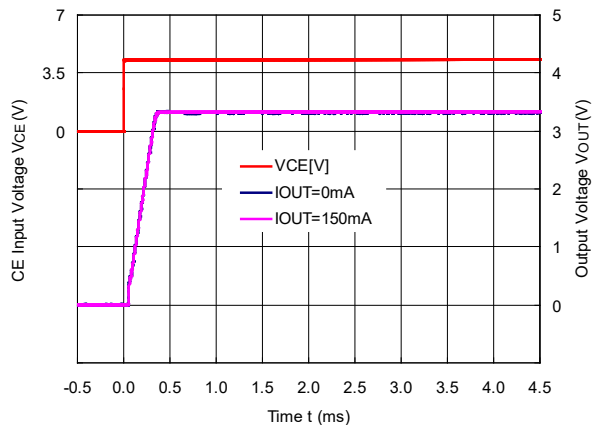
R1517J251E/F (C2 = 0.1 μ F, C_D = 1 nF)



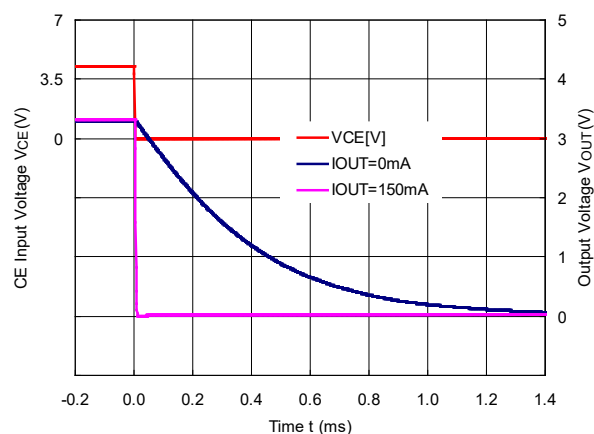
R1517J251F (C2 = 0.1 μ F, C_D = 1 nF)



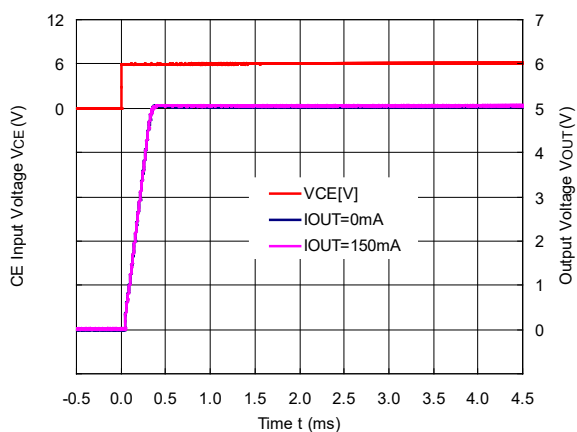
R1517J331E/F (C2 = 0.1 μF, CD = 1 nF)



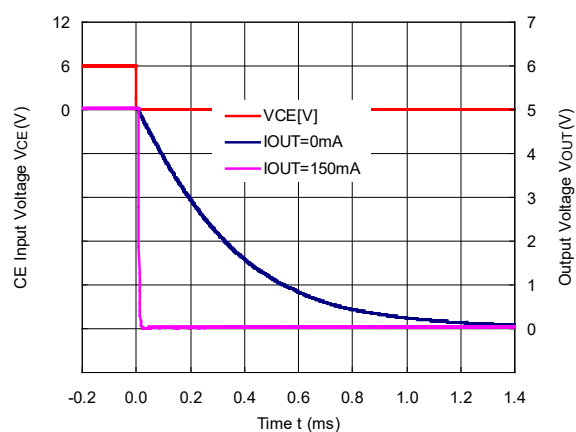
R1517J331F (C2 = 0.1 μF, CD = 1 nF)



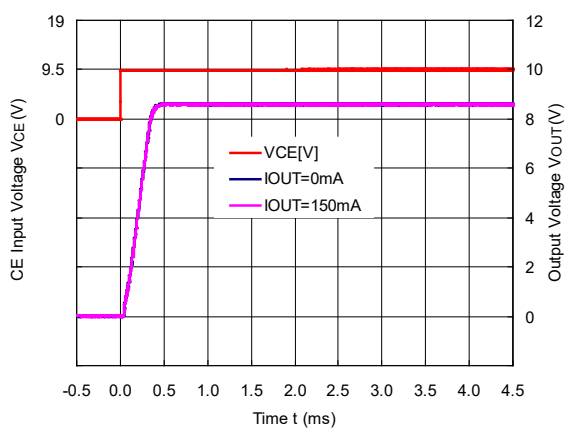
R1517J501E/F (C2 = 0.1 μF, CD = 1 nF)



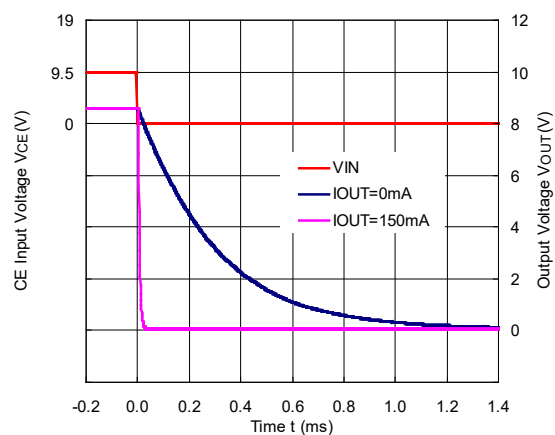
R1517J501F (C2 = 0.1 μF, CD = 1 nF)



R1517J851E/F (C2 = 0.1 μF, CD = 1 nF)

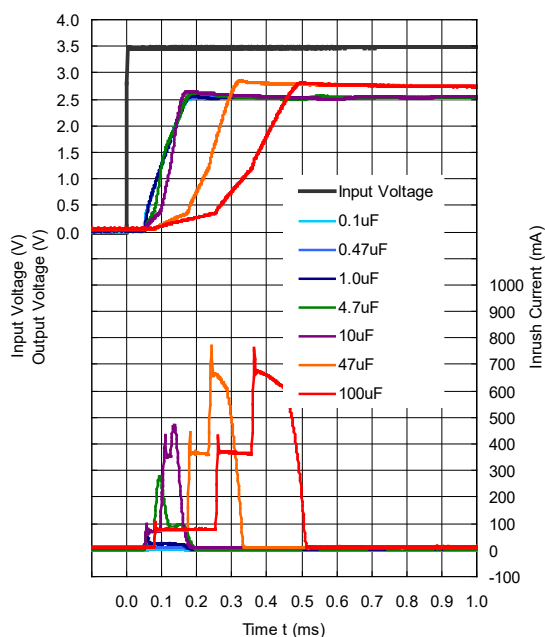


R1517J851F (C2 = 0.1 μF, CD = 1 nF)

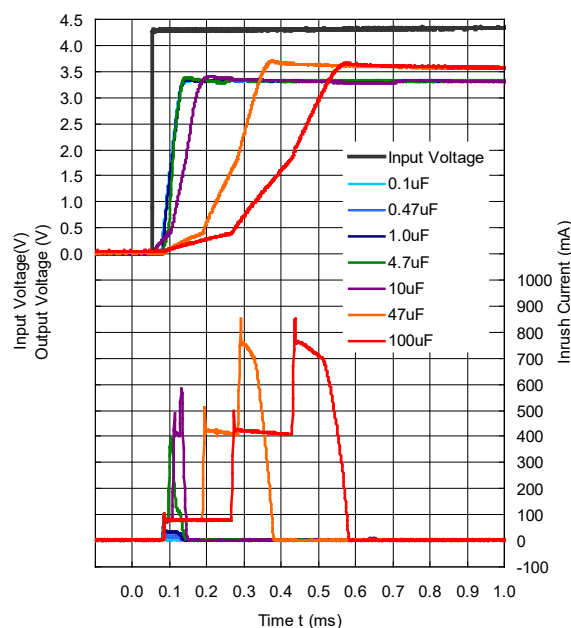


11) Inrush Current Prevention Circuit (Ta = 25°C, I_{OUT} = 1 mA)

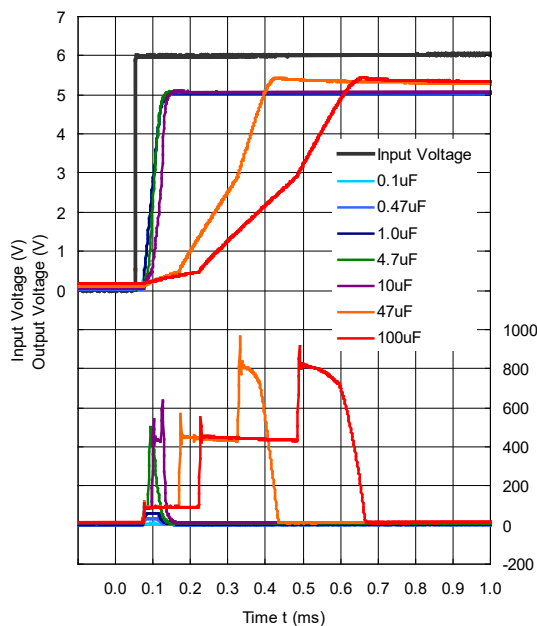
R1517x25xB/D, R1517x001C



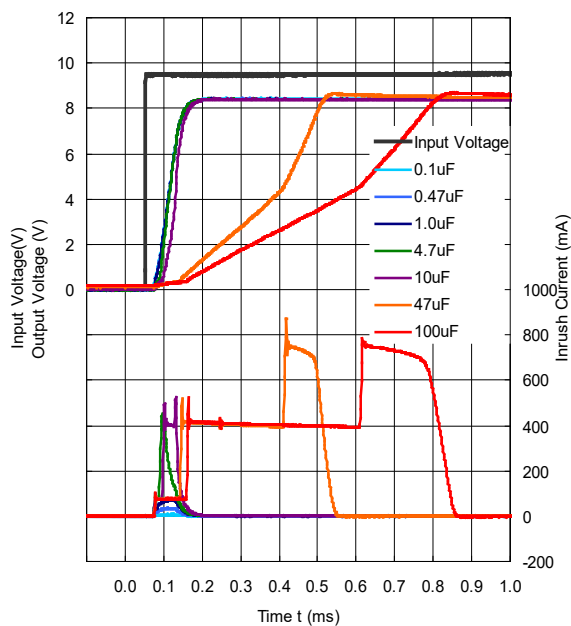
R1517x33xB/D



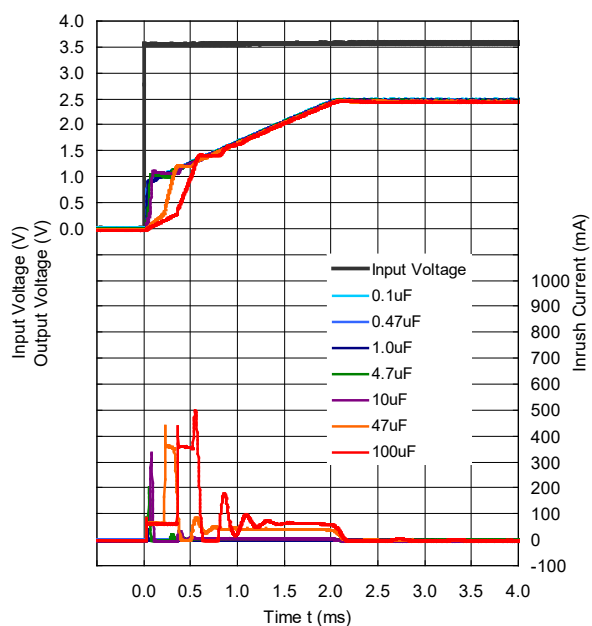
R1517x50xB/D



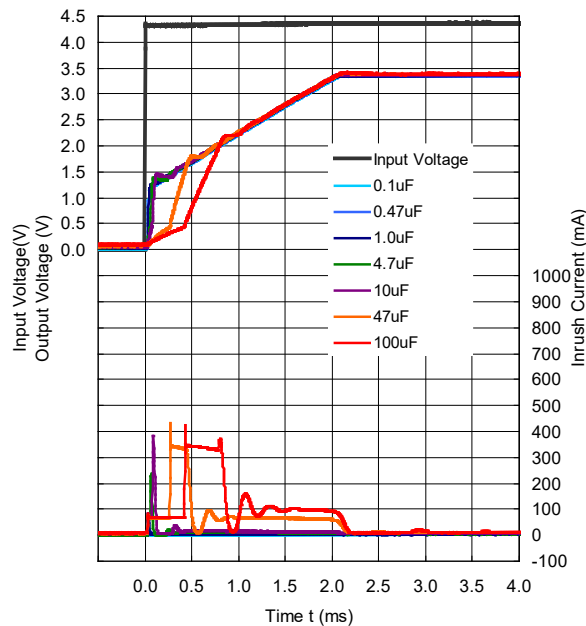
R1517x85xB/D



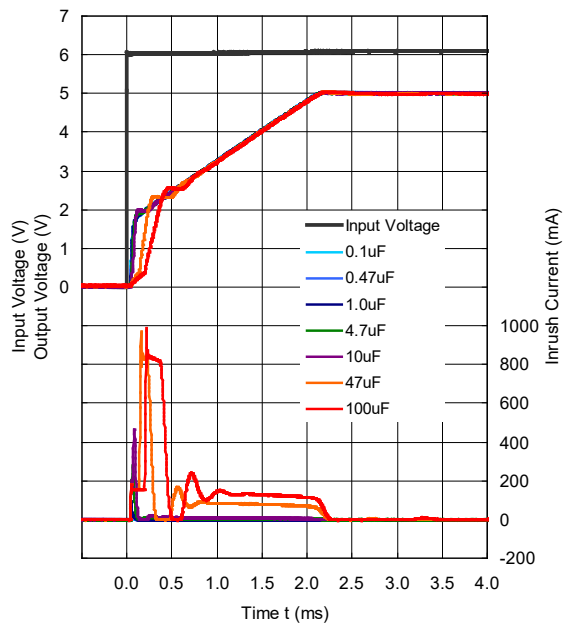
R1517J251E/F ($C_D = 10\text{ nF}$)



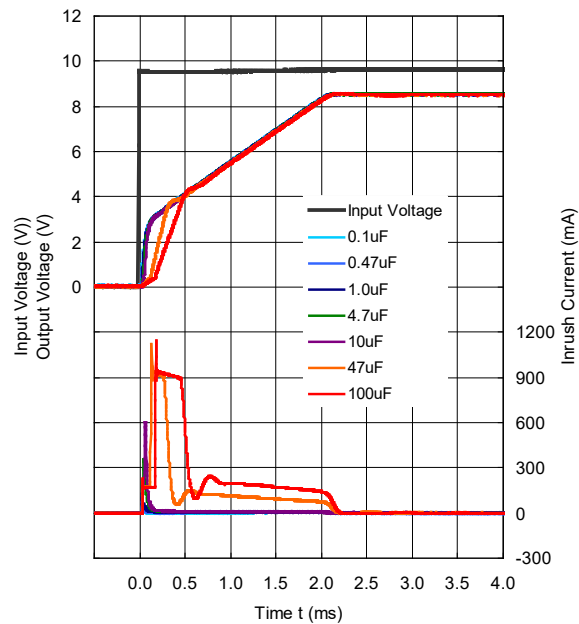
R1517J331E/F ($C_D = 10\text{ nF}$)



R1517J501E/F ($C_D = 10\text{ nF}$)

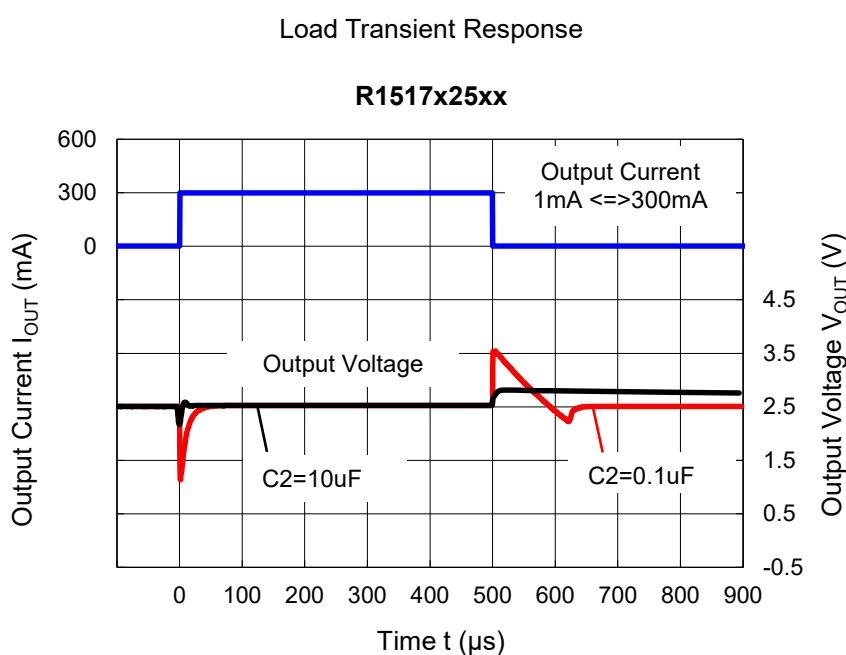


R1517J851E/F ($C_D = 10\text{ nF}$)



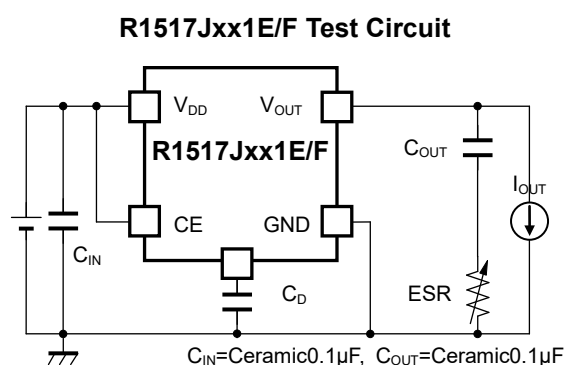
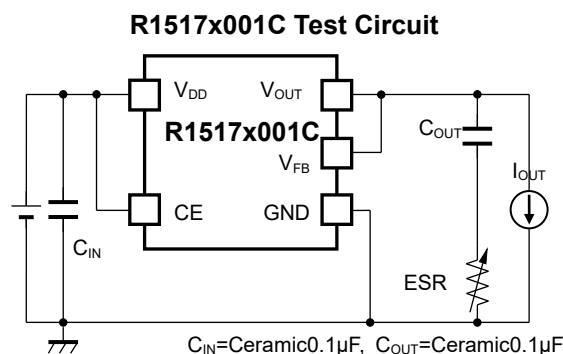
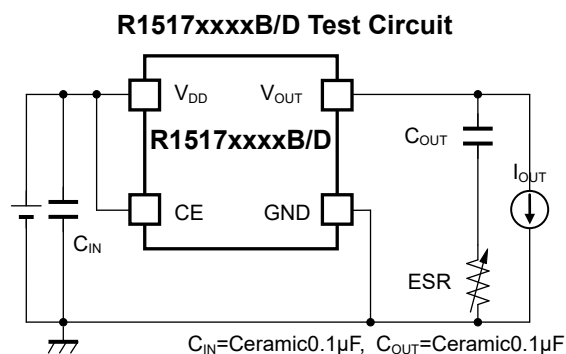
Load Transient vs. Output Capacity (C2)

R1517 performs a stable operation by using 0.1 μF of ceramic capacitor as the output capacitor. However, the variation of output voltage may not meet the demand of the system when input voltage and load current vary. In such cases, the variation of output voltage can be minimized significantly by using 10 μF or higher ceramic capacitor. When using a high-capacity electrolytic capacitor for the output line, place the electrolytic capacitor a few centimeters apart from the IC after arranging the ceramic capacitor close to the IC.



ESR vs. Output Current

It is recommended that a ceramic type capacitor be used for this device. However, other types of capacitors having lower ESR can also be used. The relation between the output current (I_{OUT}) and the ESR of output capacitor is shown below.



Measurement conditions

Frequency Band: 10 Hz to 2 MHz

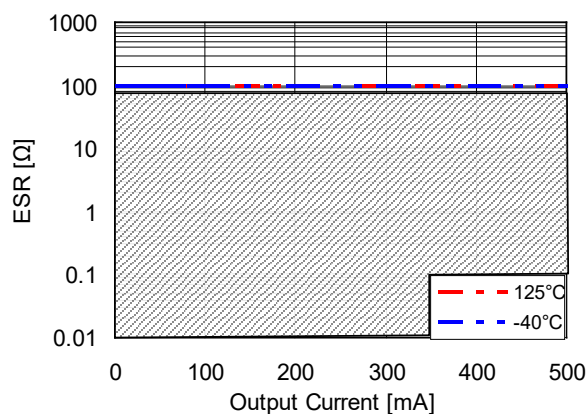
Measurement Temperature: -40°C to 125°C

Hatched area: Noise level is $40\mu\text{V}$ (average) or below

Capacitor: C1 = Ceramic $0.1\mu\text{F}$, C2 = $0.1\mu\text{F}$

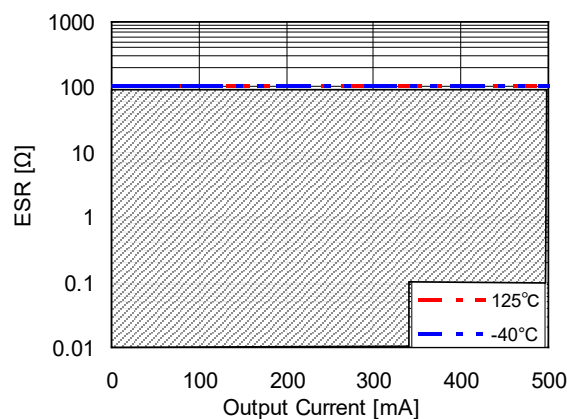
R1517x25xx Output Current I_{OUT} vs. ESR

$V_{in} = 2.5\text{V to } 36\text{V}$



R1517x85xx Output Current I_{OUT} vs. ESR

$V_{in} = 8.5\text{V to } 36\text{V}$





1. The products and the product specifications described in this document are subject to change or discontinuation of production without notice for reasons such as improvement. Therefore, before deciding to use the products, please refer to Ricoh sales representatives for the latest information thereon.
2. The materials in this document may not be copied or otherwise reproduced in whole or in part without prior written consent of Ricoh.
3. Please be sure to take any necessary formalities under relevant laws or regulations before exporting or otherwise taking out of your country the products or the technical information described herein.
4. The technical information described in this document shows typical characteristics of and example application circuits for the products. The release of such information is not to be construed as a warranty of or a grant of license under Ricoh's or any third party's intellectual property rights or any other rights.
5. The products in this document are designed for automotive applications. However, when using the products for automotive applications, please make sure to contact Ricoh sales representative in advance due to confirming the quality level.
6. We are making our continuous effort to improve the quality and reliability of our products, but semiconductor products are likely to fail with certain probability. In order to prevent any injury to persons or damages to property resulting from such failure, customers should be careful enough to incorporate safety measures in their design, such as redundancy feature, fire containment feature and fail-safe feature. We do not assume any liability or responsibility for any loss or damage arising from misuse or inappropriate use of the products.
7. Anti-radiation design is not implemented in the products described in this document.
8. The X-ray exposure can influence functions and characteristics of the products. Confirm the product functions and characteristics in the evaluation stage.
9. WLCSP products should be used in light shielded environments. The light exposure can influence functions and characteristics of the products under operation or storage.
10. There can be variation in the marking when different AOI (Automated Optical Inspection) equipment is used.
In the case of recognizing the marking characteristic with AOI, please contact Ricoh sales or our distributor before attempting to use AOI.
11. Please contact Ricoh sales representatives should you have any questions or comments concerning the products or the technical information.



Ricoh is committed to reducing the environmental loading materials in electrical devices with a view to contributing to the protection of human health and the environment.

Ricoh has been providing RoHS compliant products since April 1, 2006 and Halogen-free products since April 1, 2012.

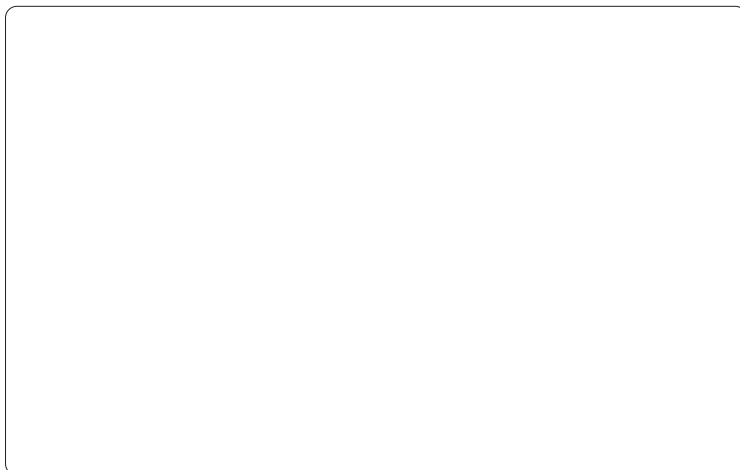
RICOH RICOH ELECTRONIC DEVICES CO., LTD.

Official website

<https://www.n-redc.co.jp/en/>

Contact us

<https://www.n-redc.co.jp/en/buy/>



Mouser Electronics

Authorized Distributor

Click to View Pricing, Inventory, Delivery & Lifecycle Information:

Ricoh Electronics:

[R1517S802B-E2-KE](#) [R1517S001C-E2-KE](#) [R1517S502B-E2-KE](#) [R1517S332B-E2-KE](#) [R1517J001C-T1-KE](#)
[R1517J331B-T1-KE](#) [R1517J501D-T1-KE](#) [R1517J501B-T1-KE](#) [R1517S502D-E2-KE](#)