



SlimJim

The trainable dolly for Slim Jim® containers allows for more efficient collection and transport of waste and recyclables, increasing worker productivity.

Features and Benefits:

TRAINABLE DOLLY

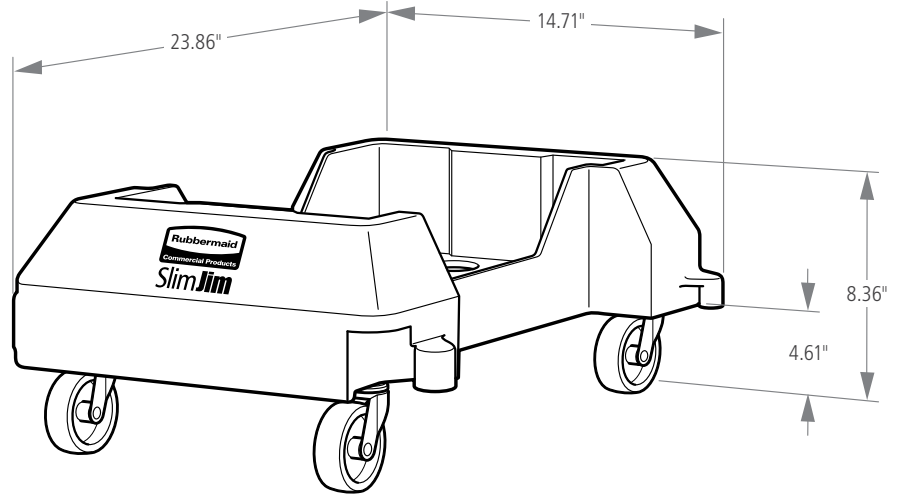
- Features a side clip-on connection that allows you to train several dollies together for collection and transportation purposes
- Foot pedal release makes disconnecting dollies quick and easy
- Structural foam construction ensures maximum durability in commercial environments
- Fits both 16- and 23-gallon Slim Jim® containers

Material Composition:

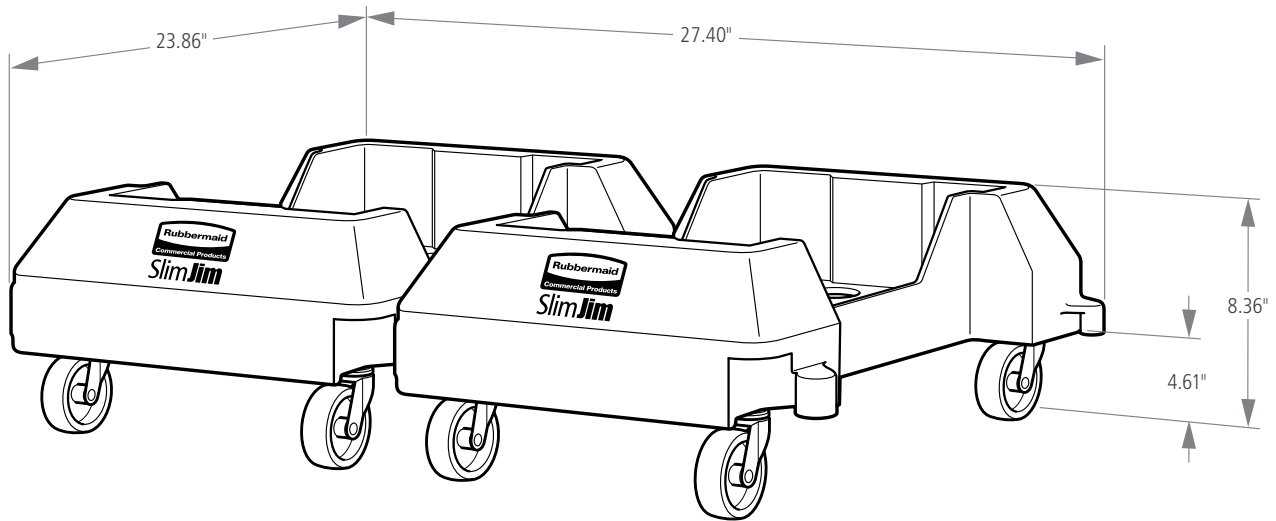
TRAINABLE DOLLY

- Structural foam resin material

DOLLIES FOR SLIM JIM® CONTAINERS



Resin Trainable Dolly



DOLLY SPECIFICATIONS

SKU #	DESCRIPTION	CAPACITY		LENGTH		WIDTH		HEIGHT		WIDTH OF 2 DOLLIES TRAINED	PACK SIZE	HEIGHT OFF GROUND			
		LBS	KG	IN	CM	IN	CM	IN	CM			IN	CM	IN	CM
1980602	RESIN TRAINABLE DOLLY	120	54	23.86"	60.59	14.71"	37.36	8.36"	21.25	27.40"	1	29.54"	75.02	34.61"	87.92

162708 | 123456

©2016 Rubbermaid Commercial Products LLC
8900 Northpointe Executive Park Drive, Huntersville, NC 28078

