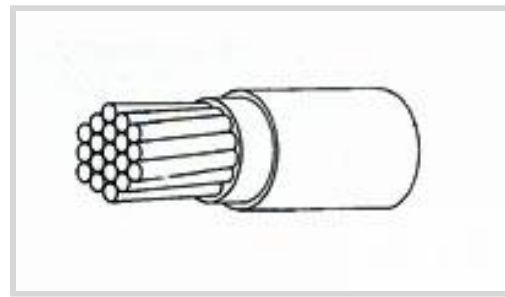




Wire & Cable > Hook Up Wire



Cable Type: MIL-DTL-22759

Voltage Rating: 600 V

Insulation Material: Modified Radiation Cross-linked ETFE Polymer

Conductor Material: Nickel-Coated Copper

Wire Size: 22 AWG

## Features

### Product Type Features

Product Type	Cable
Product Classification	Cable - High Performance - Spec 44, 55 & RCW
Cable Style	Primary
Cable Type	MIL-DTL-22759

### Configuration Features

Number of Conductors	1
Number of Strands	19

### Electrical Characteristics

Voltage Rating	600 V
----------------	-------

### Body Features

Wire Color	White
Insulation Material	Modified Radiation Cross-linked ETFE Polymer
Conductor Material	Nickel-Coated Copper

### Dimensions

Wire Diameter	1.27 mm[.05 in] .009 in
Overall Outside Diameter	1.27 mm[.05 in]

Conductor Diameter	.79 mm[.031 in]
--------------------	-----------------

Strand Size	34 AWG
-------------	--------

Wire Size	22 AWG
-----------	--------

### Usage Conditions

Operating Temperature Range	-65 – 200 °C
-----------------------------	--------------

### Other

Wire Source	United States
-------------	---------------

## Product Compliance

[For compliance documentation, visit the product page on TE.com>](#)

EU RoHS Directive 2011/65/EU	Compliant
------------------------------	-----------

EU ELV Directive 2000/53/EC	Compliant
-----------------------------	-----------

China RoHS 2 Directive MIIT Order No 32, 2016	No Restricted Materials Above Threshold
---	---

EU REACH Regulation (EC) No. 1907/2006	Current ECHA Candidate List: JUL 2019 (201) Candidate List Declared Against: JUL 2019 (201) Does not contain REACH SVHC
--	---

EU REACH Regulation (EC) No. 1907/2006	Current ECHA Candidate List: JUL 2019 (201) Candidate List Declared Against: JUL 2019 (201)
--	--

Halogen Content	Out of Scope - excluded from Halogen requirements
-----------------	---

Solder Process Capability	Not applicable for solder process capability
---------------------------	--

#### Product Compliance Disclaimer

This information is provided based on reasonable inquiry of our suppliers and represents our current actual knowledge based on the information they provided. This information is subject to change. The part numbers that TE has identified as EU RoHS compliant have a maximum concentration of 0.1% by weight in homogenous materials for lead, hexavalent chromium, mercury, PBB, PBDE, DBP, BBP, DEHP, DIBP, and 0.01% for cadmium, or qualify for an exemption to these limits as defined in the Annexes of Directive 2011/65/EU (RoHS2). Finished electrical and electronic equipment products will be CE marked as required by Directive 2011/65/EU. Components may not be CE marked. Additionally, the part numbers that TE has identified as EU ELV compliant have a maximum concentration of 0.1% by weight in homogenous materials for lead, hexavalent chromium, and mercury, and 0.01% for cadmium, or qualify for an exemption to these limits as defined in the Annexes of Directive 2000/53/EC (ELV). Regarding the REACH Regulations, TE's information on SVHC in articles for this part number is still based on the European Chemical Agency (ECHA) 'Guidance on requirements for substances in articles' (Version: 2, April 2011), applying the 0.1% weight on weight concentration threshold at the finished product level. TE is aware of the European Court of Justice ruling of September 10th, 2015 also known as O5A (Once An Article Always An Article) stating that, in case of 'complex object', the threshold for a SVHC must be applied to both the product as a whole and simultaneously to each of the articles forming part of its composition. TE has evaluated this ruling based on the new ECHA "Guidance on requirements for substances in articles" (June 2017, version 4.0) and will be updating its statements accordingly.

## Compatible Parts



TE Model / Part # D17660-000  
[D-200-82](#)

## Customers Also Bought




TE Model / Part #216787-000  
[SO96-3-55-22-90](#)



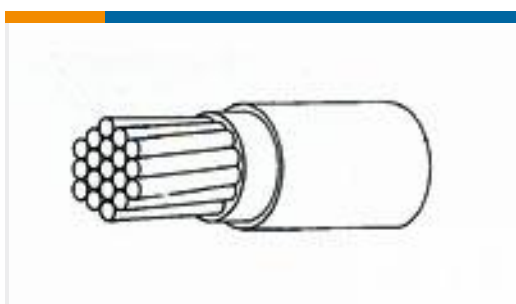
TE Model / Part #1662-213-2031  
[CONT SOC ASSY](#)



TE Model / Part #207757-000  
[55A1823-20-9/96-9CS2275](#)



TE Model / Part #1841-1-5620  
[CONT PIN](#)




TE Model / Part #218521-000  
[22759/41-16-9](#)



TE Model / Part #218448-001  
[22759/41-20-9](#)



TE Model / Part #2560-215-1631L  
[CONT PIN](#)



TE Model / Part #886667-000  
[55A1826-24-9/96-9CS2275](#)



TE Model / Part #218654-001  
[22759/41-10-9](#)



TE Model / Part #648101-000  
[55A1823-22-9/96-9CS2275](#)

## Documents

### Product Drawings

[22759/41-22-9](#)

English

### Datasheets & Catalog Pages

[1654025\\_Sec9\\_SPEC55](#)

English



**Product Specifications**

**Product Specification**

English

# Mouser Electronics

Authorized Distributor

Click to View Pricing, Inventory, Delivery & Lifecycle Information:

[TE Connectivity:](#)

[M22759/41-22-9](#)