

Preparation of compressed air → Maintenance units and components

3/2-shut-off valve, mechanically operated, Series NL2-BAV

► G 1/8 - G 3/8 ► ATEX certified



00106897

ATEX
VersionActuating control
Sealing principle
Working pressure min./max.
Ambient temperature min./max.
Medium temperature min./max.
MediumMaterials:
Housing
Seals
Actuating control
Front coverII 2G2D X
Ball valve
with padlock
lockable
rotary switch
metal/metal sealing
0 bar / 16 bar
-10 °C / +60 °C
-10 °C / +60 °C
Compressed airDie cast zinc
Acrylonitrile Butadiene Rubber
Polyoxymethylene
Acrylonitrile butadiene styrene**Technical Remarks**

- The pressure dew point must be at least 15 °C under ambient and medium temperature and may not exceed 3 °C.

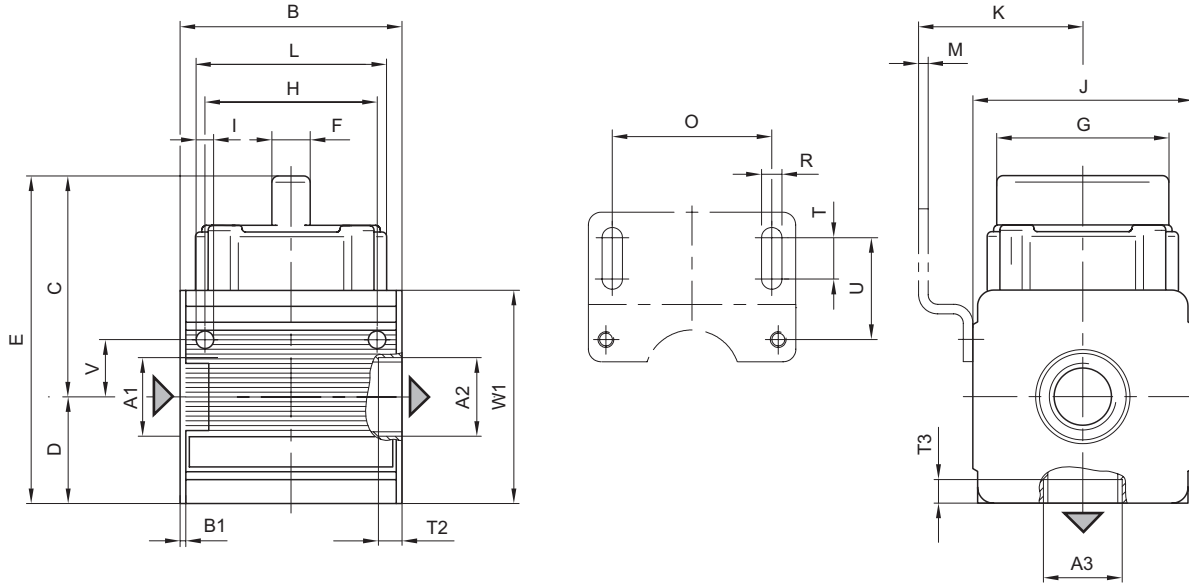
	Port	Exhaust	Qn		Weight	Part No.
			1►2	2►3		
			[l/min]			
	G 1/8	G 1/4	2800	70	0.36	0821300902
	G 1/4					0821300901
	G 3/8					0821300903

nominal flow Qn with secondary pressure 6 bar at $\Delta p = 1$ bar

Preparation of compressed air → Maintenance units and components

3/2-shut-off valve, mechanically operated, Series NL2-BAV

▶ G 1/8 - G 3/8 ▶ ATEX certified

Dimensions

00107304

A3 = ventilation port

A1	A2	A3	B	B1	C	D	E	F	G	H	I	J	K
G 1/8	G 1/8	G 1/4	48	1.5	54.5	26	80.5	8	33.5	36	4.4	47	43
G 1/4	G 1/4	G 1/4	48	1.5	54.5	26	80.5	8	33.5	36	4.4	47	43
G 3/8	G 3/8	G 1/4	48	1.5	54.5	26	80.5	8	33.5	36	4.4	47	43

A1	L	M	O	R	T	T2	T3	U	V	W1			
G 1/8	40.5	3	38	5.4	8	8	8	27.5	12.3	52			
G 1/4	40.5	3	38	5.4	8	8	8	27.5	12.3	52			
G 3/8	40.5	3	38	5.4	8	7.5	8	27.5	12.3	52			