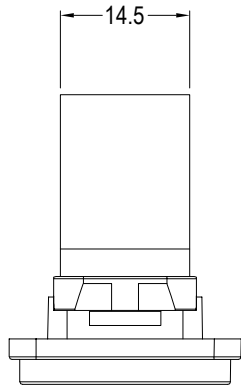
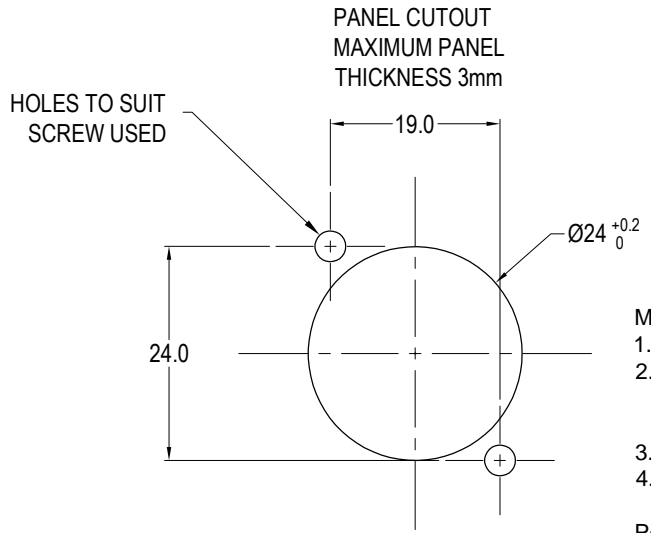
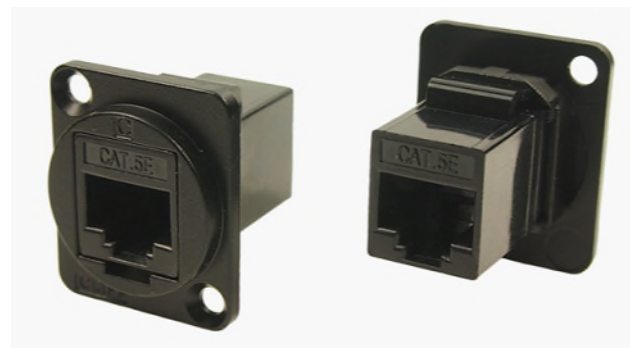


| ISS. | AMEND                  | DATE     |
|------|------------------------|----------|
| 1    | 1st DRAWN              | 14/12/15 |
| 2    | ADD M3 VARIANT         | 01/06/18 |
| 3    | ADD MIN MAX TEMP       | 30/06/20 |
| 4    | MATERIAL+32.5 WAS 29.5 | 25/03/22 |



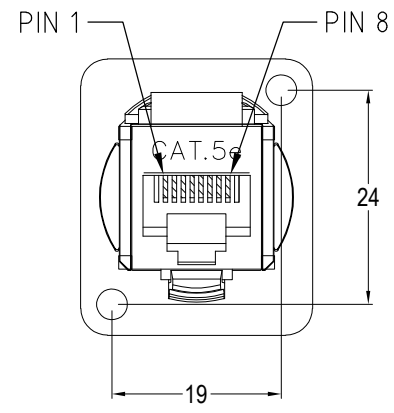
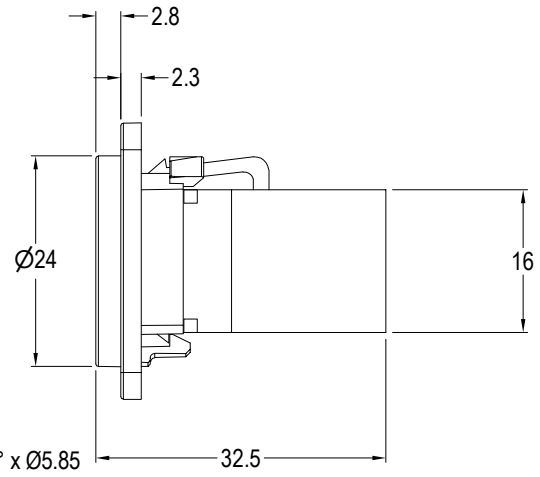
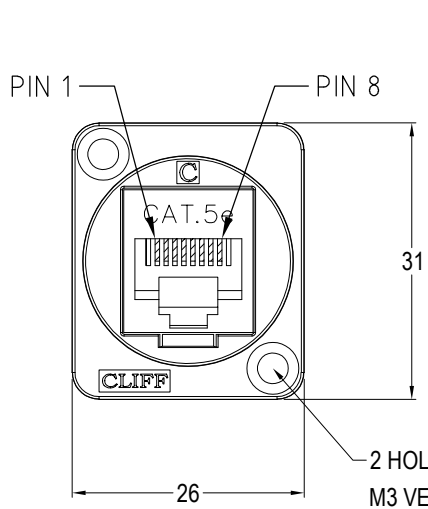
**Material:**

1. RJ45 In-Line Coupler: ABS UL94-V0
2. RJ45 In-Line Coupler Contact: Phosphor Bronze, 3-50 micro inches gold plating over nickel plate.
3. PCB: FR4
4. Frame: Black Nickel plated zinc diecast

| VARIANTS   |   |
|------------|---|
| PART No.   | HOLE DETAILS  |
| CP30220MB  | HOLE $\varnothing 3.50$ x CSK $82^\circ$ x $\varnothing 5.85$ |
| CP30220M3B | M3 HOLES  |

**Performance:**

1. T568A & T568B wiring.
2. Meet ISO/IEC 11801 and EN50173
3. Meet ANSI/TIA/EIA 568B.2
4. Rating 125VAC RMS 1.5A
5. Operating Temperatures: Min  $-10^\circ\text{C}$  Max  $+60^\circ\text{C}$



2 HOLES:  $\varnothing 3.5\text{mm}$  CSK  $82^\circ$  x  $\varnothing 5.85$   
M3 VERSION HAS M3 THREAD HOLES.

|                          |
|--------------------------|
| <b>RoHS</b><br>COMPLIANT |
| <b>TOLERANCE</b>         |
| NO DEC. PLACE $\pm$      |
| 1 DEC. PLACE $\pm$       |
| 2 DEC. PLACE $\pm$       |
| HOLE $\varnothing$ $\pm$ |
| ANGLES $\pm$             |
| UNLESS OTHERWISE STATED  |
| DO NOT SCALE             |

**Cliff Electronic Components Ltd.**  
76 Holmethorpe Avenue, Holmethorpe Industrial Estate,  
Redhill, Surrey, RH1 2PF, England, UK  
Tel: 01737-771375 Fax: 01737-766012 Website: www.cliffuk.co.uk

DIMENSIONS IN MILLIMETERS UNLESS OTHERWISE STATED. WORK TO DIMENSIONS. REMOVE ALL BURRS. IF IN DOUBT ASK.

3rd ANGLE PROJECTION:

MATERIAL: See Notes

FINISH: See Notes

TITLE: FT BLACK METAL UTP CAT5e RJ45

THE CONTENTS OF THIS DOCUMENT MUST NOT BE COPIED OR DISCLOSED TO A 3rd PARTY WITHOUT WRITTEN PERMISSION OF CLIFF UK. © 2015

DRAWN: D.P.J.

APPROVED: D.P.J.

DRWG. No. CP30220MB

FORM: A4DRWGH