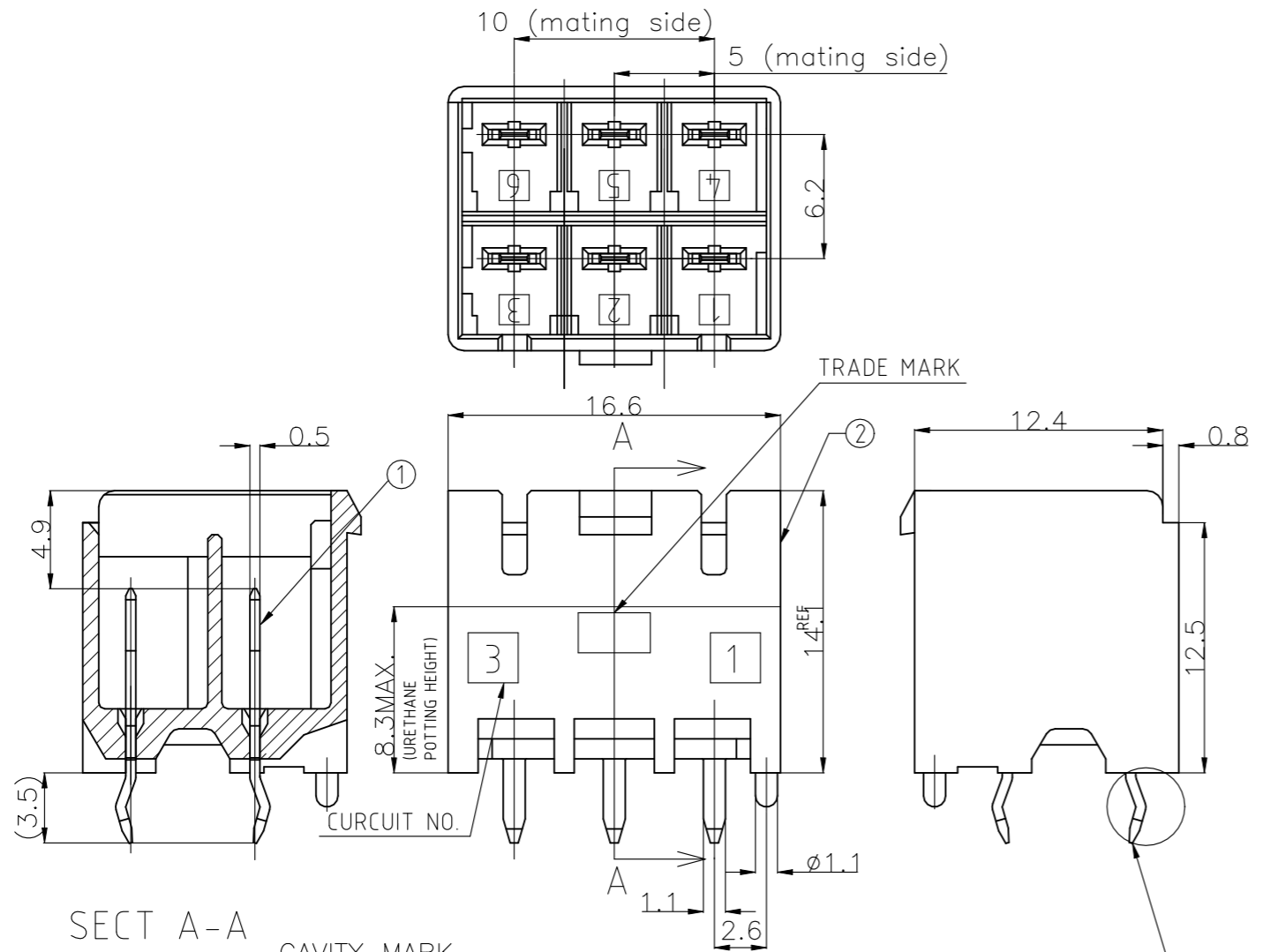
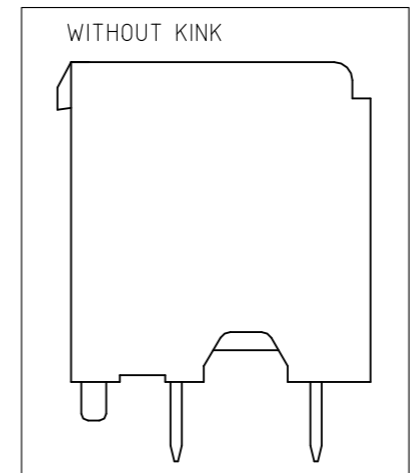
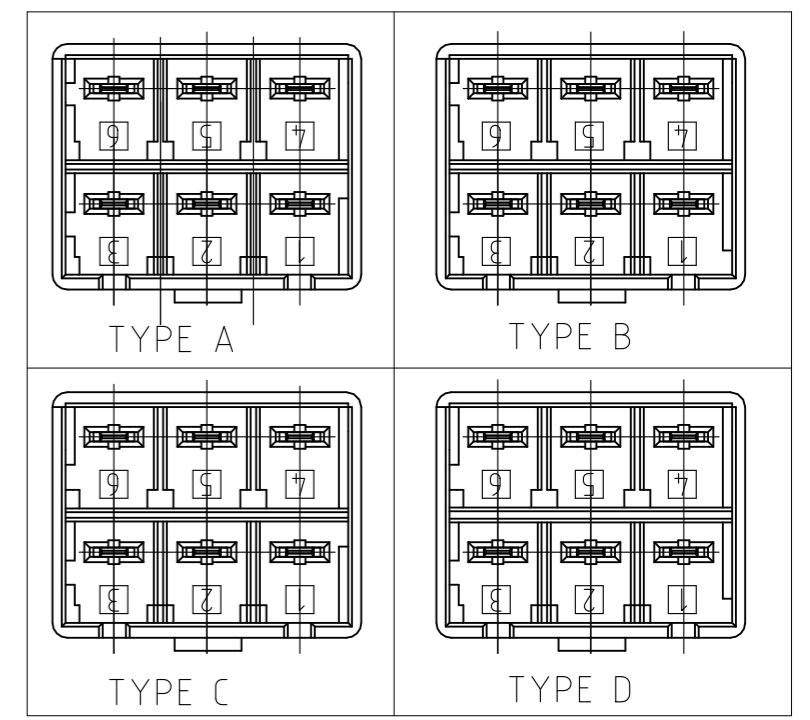


THIS DRAWING IS UNPUBLISHED. RELEASED FOR PUBLICATION
 © COPYRIGHT - By - ALL RIGHTS RESERVED.

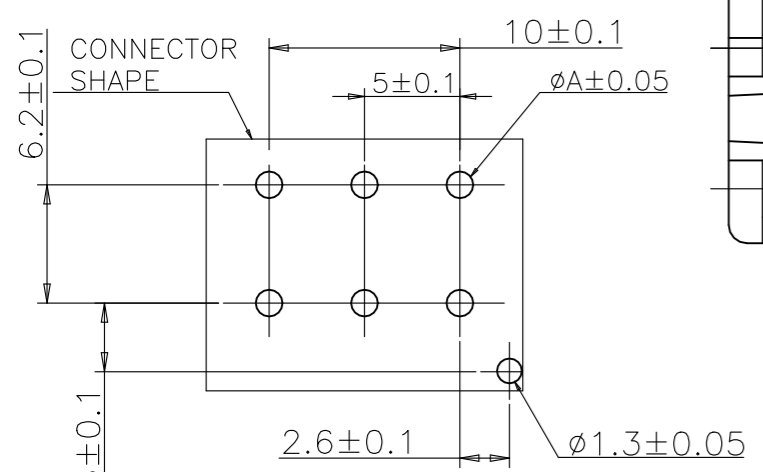
REVISIONS					
P	LTR	DESCRIPTION	DATE	DWN	APVD
	F2	REVISED PER ECR-21-101026	23MAR2021	SK	DZ



THE TYPE OF KEYING



SECT A-A



NO.	NAME	MATERIAL
②	HEADER HOUSING	6/6 NYLON GRASS FILLED
①	TAB	COPPER ALLOY TIN PLATED

△5	3-1376393-4	WITHOUT KINK	TYPE D	YELLOW	6Pos	8-1376387-4
△5	2-1376393-3	WITHOUT KINK	TYPE C	BLUE	6Pos	7-1376387-3
△5	1-1376393-2	WITHOUT KINK	TYPE B	RED	6Pos	6-1376387-2
△5	1376393-1	WITHOUT KINK	TYPE A	NATURAL	6Pos	5-1376387-1
△5	3-1376393-4	WITH KINK	TYPE D	YELLOW	6Pos	3-1376387-4
△5	2-1376393-3	WITH KINK	TYPE C	BLUE	6Pos	2-1376387-3
△5	1-1376393-2	WITH KINK	TYPE B	RED	6Pos	1-1376387-2
△5	1376393-1	WITH KINK	TYPE A	NATURAL	6Pos	1376387-1
	MATING CONN. P/N	WITH/WITHOUT KINK	TYPE OF KEYING	Color	Pos	PART NO.

	DIM A
PUNCHING	1.25
DRILLING	1.4

RECOMMENDED PCB HOLES

- △1 RECOMMENDED P.C.B LAY OUT.
- △2 APPLICABLE P.C.B. THICKNESS:1.6.
- △3 MATING CONN. P/N PLUG HOUSING :SEE TABLE.
- 4 PARTS MEET IEC 60335-1 (GWT GLOW WIRE TEST 750 DEGREE SPEC). NYLON 66, GWT, V-0.

THIS DRAWING IS A CONTROLLED DOCUMENT.

DWN	A.OISHI	20MAR2003
CHK	Y.KASHIWA	28AUG'00
APVD	Y.KASHIWA	28AUG'00
PRODUCT SPEC	NAME	
APPLICATION SPEC	108-5699	
WEIGHT	114-5292	

STE TE Connectivity

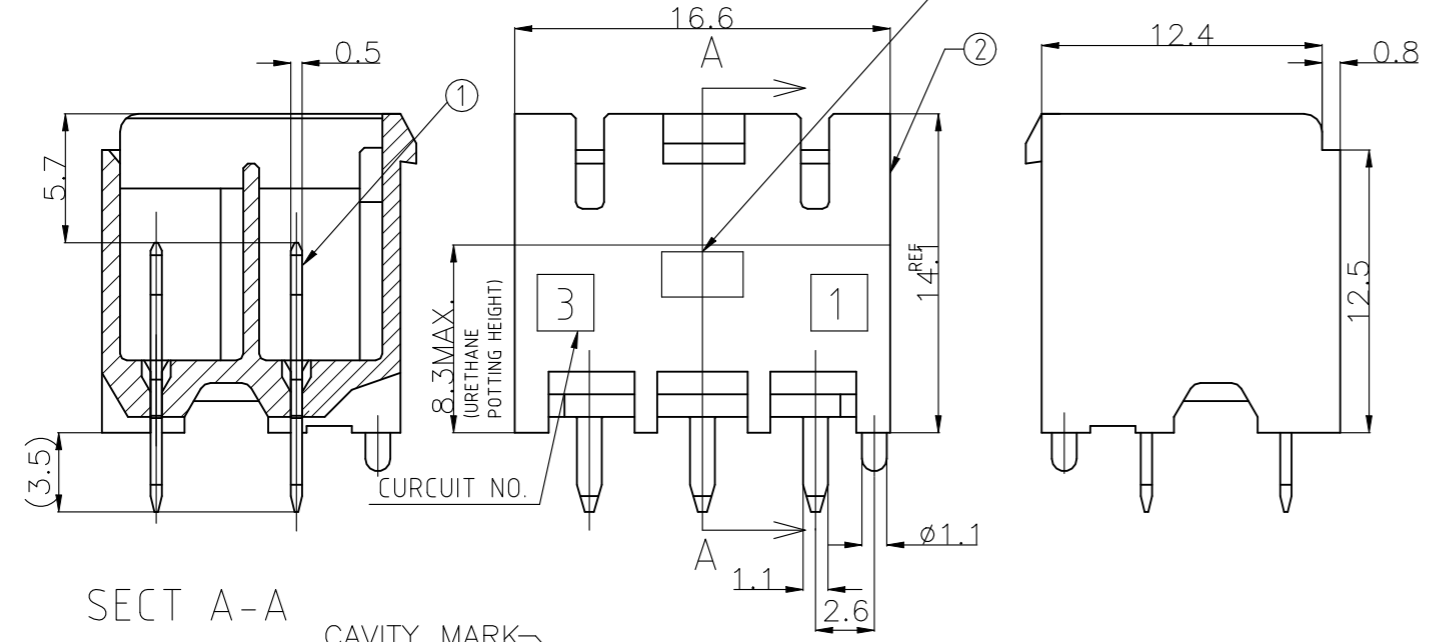
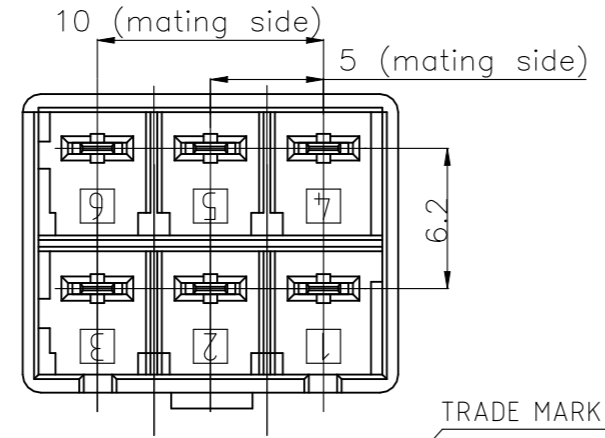
5.0 POWER KEY CONNECTOR
 6P HEADER ASSEMBLY (2ROW)

SIZE	CAGE CODE	DRAWING NO	RESTRICTED TO
A3	00779	C-1376387	-

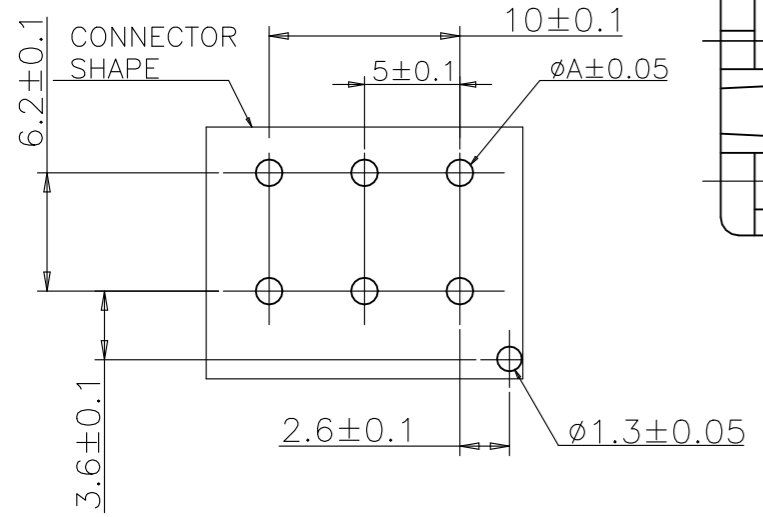
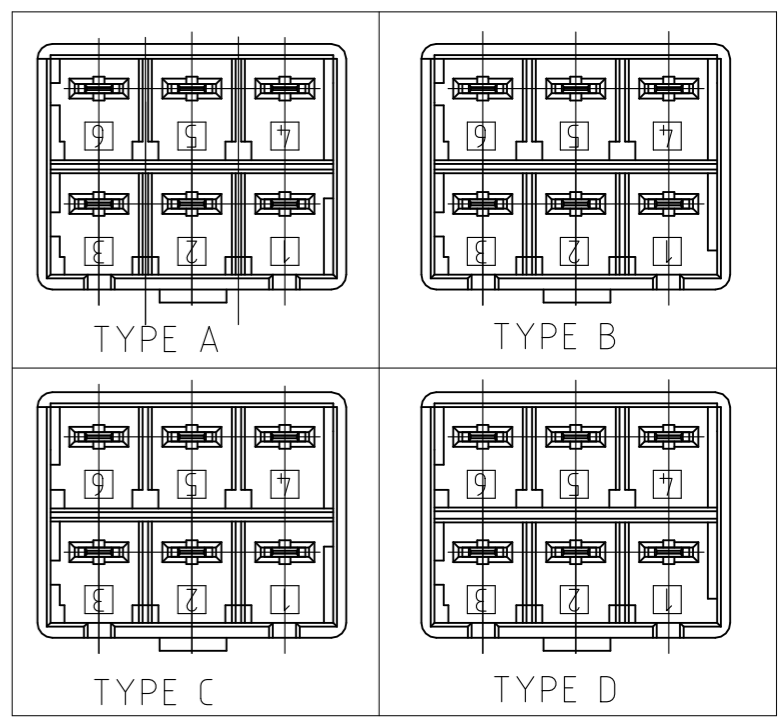
CUSTOMER DRAWING SCALE 3:1 SHEET 1 OF 2 REV F2

THIS DRAWING IS UNPUBLISHED. RELEASED FOR PUBLICATION
 © COPYRIGHT - By - ALL RIGHTS RESERVED.

P	LTR	DESCRIPTION	DATE	DWN	APVD
-	-	SEE SHEET 1	-	-	-



THE TYPE OF KEYING



PUNCHING	1.25
DRILLING	1.4
	DIM A

- ① RECOMMENDED P.C.B LAY OUT.
- ② APPLICABLE P.C.B. THICKNESS:1.6.
- ③ MATING CONN. P/N
- ④ PLUG HOUSING :SEE TABLE.

NO.	NAME	MATERIAL
②	HEADER HOISING	6/6 NYLON W/O GF
①	TAB	COPPER ALLOY TIN PLATED

3-1376393-5	WITHOUT KINK	TYPE D	YELLOW	6Pos	3-1376387-5
2-1376393-4	WITHOUT KINK	TYPE C	BLUE	6Pos	2-1376387-4
1-1376393-3	WITHOUT KINK	TYPE B	RED	6Pos	1-1376387-3
1376393-2	WITHOUT KINK	TYPE A	NATURAL	6Pos	1376387-2
MATING CONN. P/N	WITH/WITHOUT KINK	TYPE OF KEYING	Color	Pos	PART NO.

THIS DRAWING IS A CONTROLLED DOCUMENT.		DWN A.OISHI 20MAR2003		TE Connectivity 5.0 POWER KEY CONNECTOR 6P HEADER ASSEMBLY (2ROW)			
DIMENSIONS: mm		CHK Y.KASHIWA 28AUG'00				NAME	
TOLERANCES UNLESS OTHERWISE SPECIFIED:		APVD Y.KASHIWA 28AUG'00				PRODUCT SPEC	
 0 PLZ ± 0.2 1 PLC ± 2 PLC ± 3 PLC ± 4 PLO ANGLES ± 1° FINISH SEE TABLE		APPLICATION SPEC		108-78863			
MATERIAL SEE TABLE		WEIGHT 1.67g		114-5292			
		CUSTOMER DRAWING		SCALE 3:1			
		A3 00779		DRAWING NO G-1376387			
		RESTRICTED TO		SHEET 2 OF 2			
		REV F2					

Mouser Electronics

Authorized Distributor

Click to View Pricing, Inventory, Delivery & Lifecycle Information:

[TE Connectivity:](#)

[1376387-1](#)