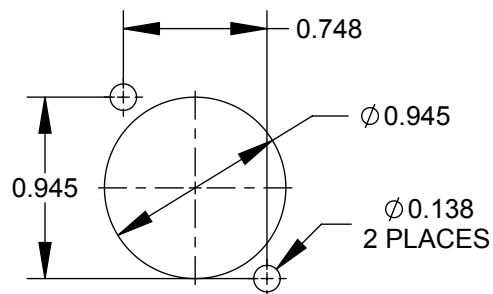
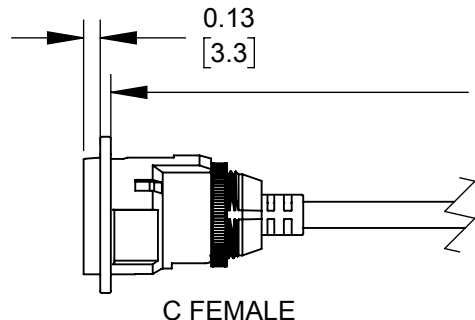
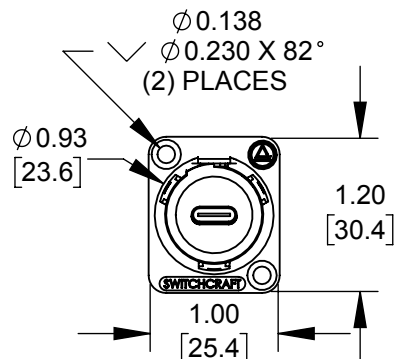


NOTES:

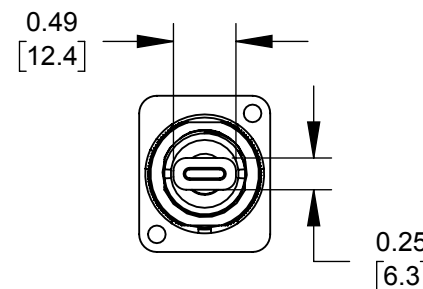
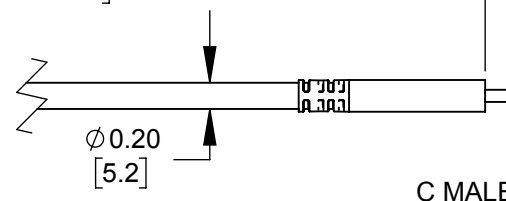
1. MATERIALS:
 INSERT OVERMOLD - THERMOPLASTIC, BLACK.
 RETAINING NUT - BRASS, NICKEL PLATED.
 HOUSING - ZINC ALLOY.
 CABLE- BLACK PVC.
2. DATA RATE- 5Gbps. FULLY MATED.
3. CURRENT- 5A.
4. TWO #4-40 MOUNTING SCREWS INCLUDED.
5. THIS PRODUCT IS RoHS COMPLIANT.



RECOMMENDED PANEL CUT-OUT



35.9±1.2
[912.3±30.5]



PART NUMBER	HOUSING FINISH
EHUSB31FCMC	NICKEL
EHUSB31FCMCB	BLACK CHROME

CUSTOMER DRAWING

THIS DRAWING DESCRIBES A DESIGN CONSIDERED PROPRIETARY IN NATURE, DEVELOPED AND MANUFACTURED BY SWITCHCRAFT INC. AND IS RELEASED ON A CONFIDENTIAL BASIS FOR IDENTIFICATION PURPOSES ONLY.

UNLESS OTHERWISE SPECIFIED

1. ALL DIMENSIONS IN INCHES [mm]
 - TWO PLACE DECIMALS ±0.02 [0.5]
 - THREE PLACE DECIMALS ±0.005 [0.13]

SIZE *	WIDTH *	MULT *	LBS/M *	TEMPER *
FINISH *			MATERIAL *	
SPEC No. *			SPEC No. *	
FIRST USED ON *		SCALE 1:8		
DATE DRAWN	BY	CHKD	APVD	
11/30/18	NS	NS	SRC	
		11/30/18	11/30/18	
NAME			PART No.	REV
USB EXTENSION CABLE CF - CM			EHUSB31CC...SERIES	0A

Switchcraft®

SHEET 1 OF 1

DO NOT SCALE DRAWING

SolidWorks CAD File



0A	PRELIMINARY	11/30/18	NS	SRC
REV	ECO NUMBER	DATE	BY	APVD
REVISIONS				