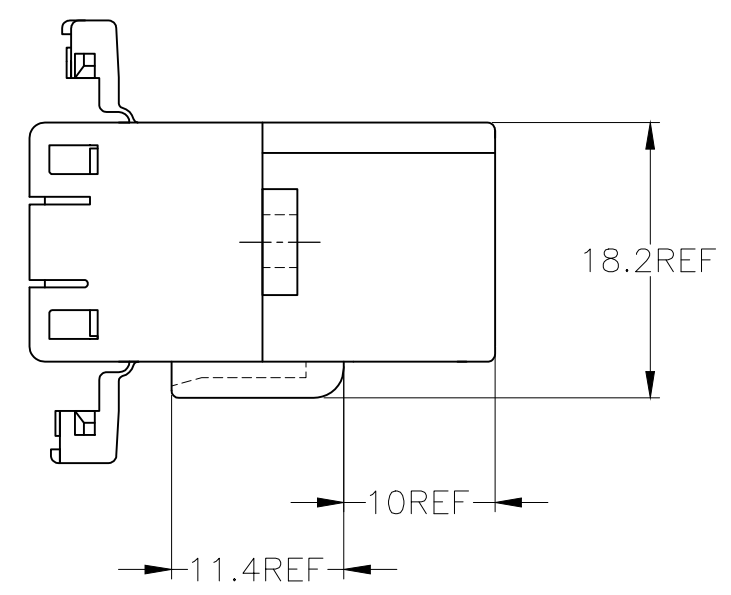
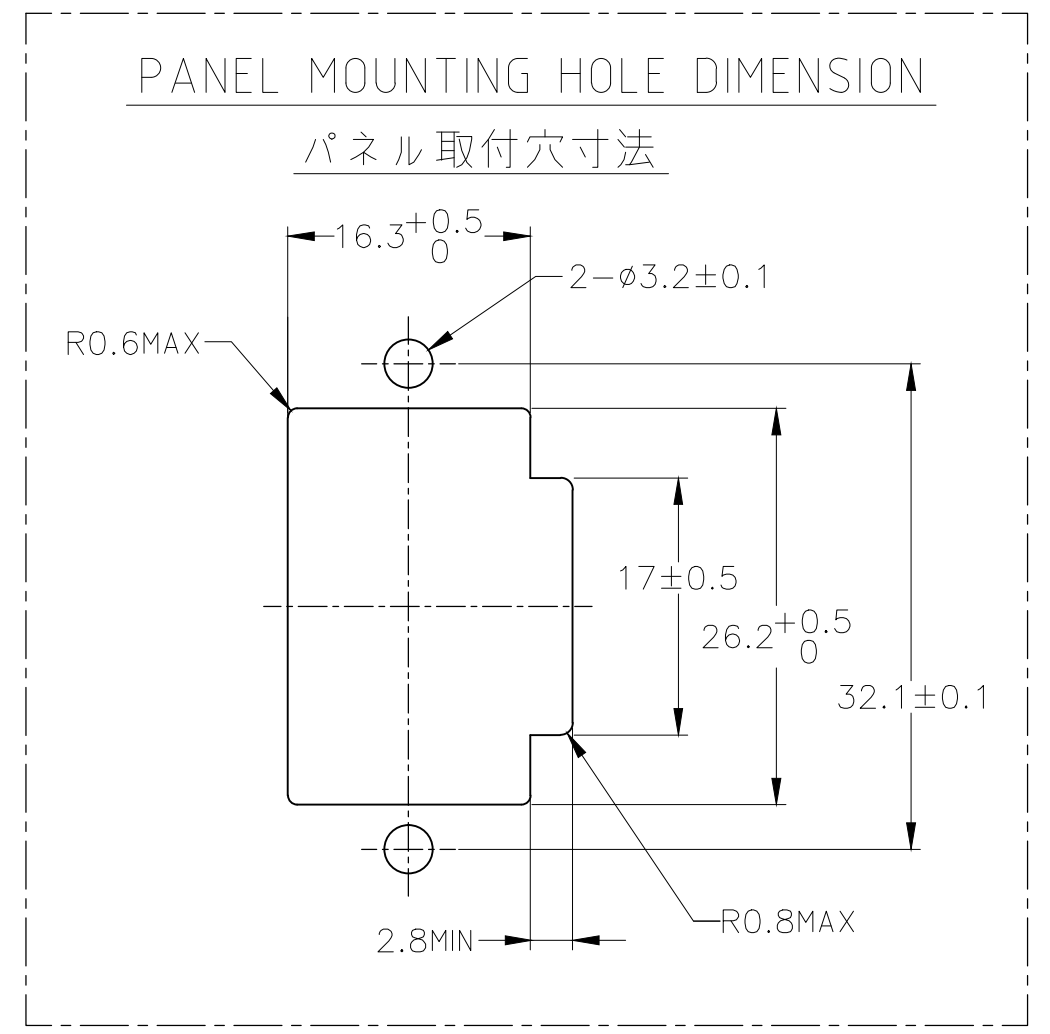
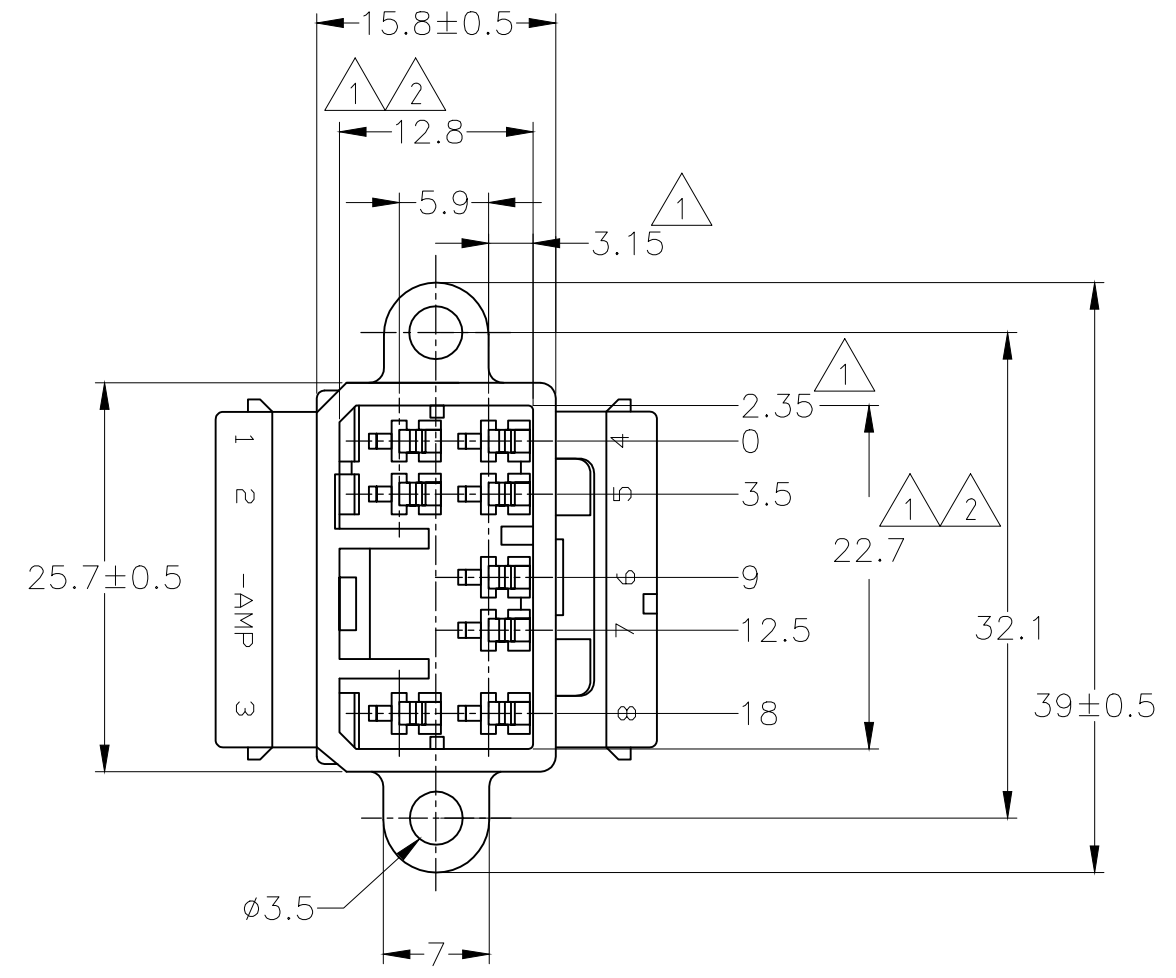
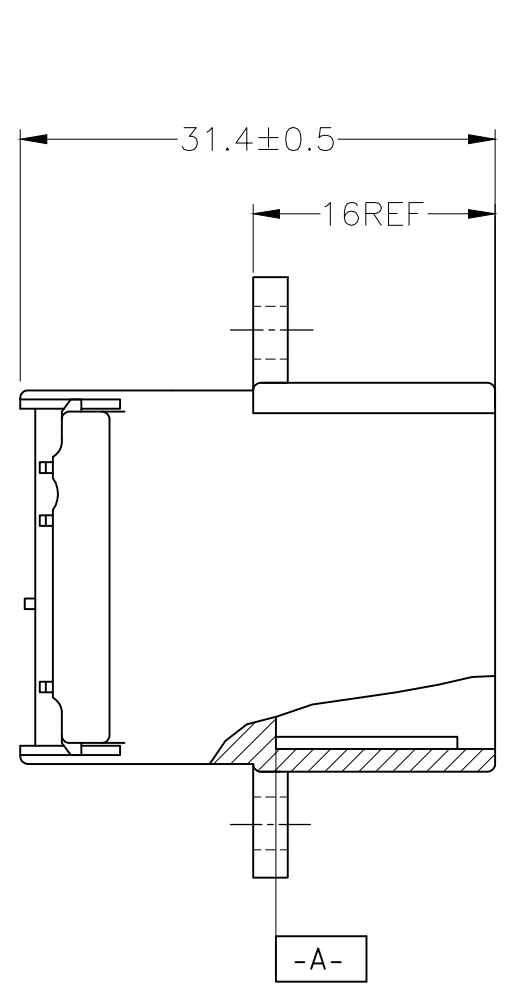


THIS DRAWING IS UNPUBLISHED. RELEASED FOR PUBLICATION
 © COPYRIGHT 2014 Tyco Electronics Japan G.K. ALL RIGHTS RESERVED.

LOC	DIST	REVISIONS					
J	—	P	LTR	DESCRIPTION	DATE	DWN	APVD
		A	REVISED	ECR-14-007658	26MAY14	AY	YS



- ①. [-A-] 面より 2mm の範囲で測定。
 - ②. 相手ハウジングと所定の機能を満足して嵌合できること。
 - ③. 内装するタブコンタクト型番 173633、173645。
 - ④. 嵌合相手ハウジング型番 173850。
-
- ①. MUST BE KEPT BETWEEN [-A-] AND 2.
 - ②. TO BE MATED WITH THE PLUG HOUSING SMOOTHLY.
 - ③. APPLIED TAB CONTACT PART NUMBER; 173633,173645.
 - ④. APPLIED PLUG HOUSING PART NUMBER; 173850,etc.

V-2	WHITE 白色	8POSITION CAP HOUSING 8極キャップハウジング(フランジ付)	1-174937-1
HB	WHITE 白色	8POSITION CAP HOUSING 8極キャップハウジング(フランジ付)	174937-1
MATERIAL FLAMMABILITY 使用材料の燃焼性	COLOR 色	NAME 名称	PART NUMBER 型番

TOLERANCE UNLESS OTHERWISE SPECIFIED: 一般公差

0 < x ≤ 10	: ±0.2
10 < x ≤ 30	: ±0.25
30 < x ≤ 100	: ±0.3
ANGLE ; 角度	: ±3°

THIS DRAWING IS A CONTROLLED DOCUMENT.

DIMENSIONS: 単位: 耗 mm	TOLERANCES UNLESS OTHERWISE SPECIFIED: 一般公差
	0 PLC ±-
	1 PLC ±-
	2 PLC ±-
	3 PLC ±-
	4 PLC ±-
	ANGLES ±-
MATERIAL 材料 PBT	FINISH 仕上 -

DWN S.FUJITA 05MAR08	TE Connectivity		
CHK T.SHINOHARA 05MAR08			
APVD K.BETSUI 05MAR08	NAME 名称 070 SERIES MULTI-LOCK CONNECTOR 8POSITION CAP HOUSING WITH FLANGE (WIRE to WIRE)		
PRODUCT SPEC 製品規格 108-5264	SIZE A3	CAGE CODE 00779	DRAWING NO 番号 C-174937
APPLICATION SPEC 取付適用規格	WEIGHT 7.5g	RESTRICTED TO	
CUSTOMER DRAWING		SCALE 尺度 2:1	SHEET 1 OF 1

Mouser Electronics

Authorized Distributor

Click to View Pricing, Inventory, Delivery & Lifecycle Information:

[TE Connectivity:](#)

[1-174937-1](#)