

4

3

2

1

THIS DRAWING IS UNPUBLISHED.

RELEASED FOR PUBLICATION

20

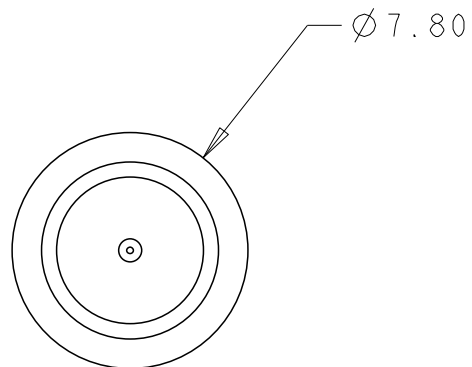
© COPYRIGHT 20

BY TYCO ELECTRONICS CORPORATION. ALL RIGHTS RESERVED.

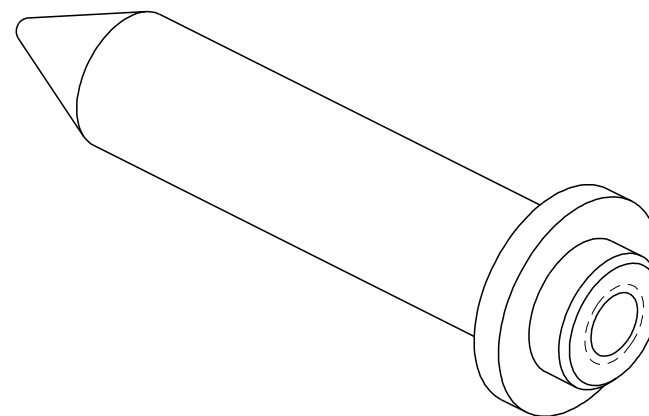
LOC AD DIST 00

REVISIONS

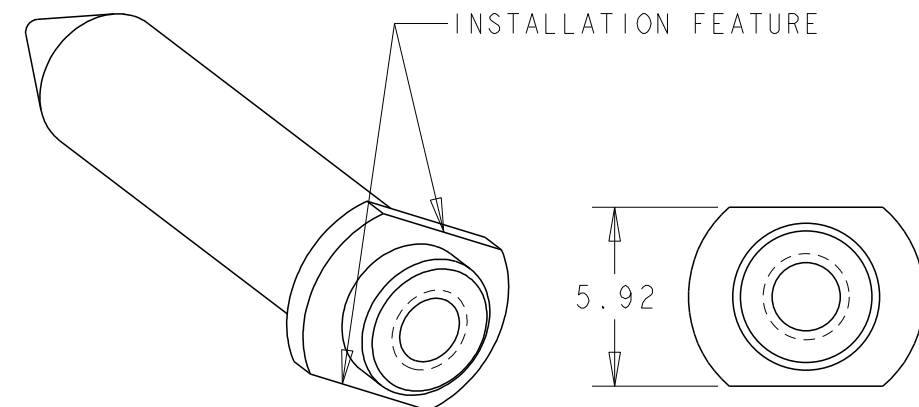
P	LTR	DESCRIPTION	DATE	DWN	APVD
	I	PROPOSED	25APR2008	BC	RP
	A	RELEASED	06AUG2008	DH	RP
	AI	RELEASED NEW PART -3	18NOV2015	ML	SZ



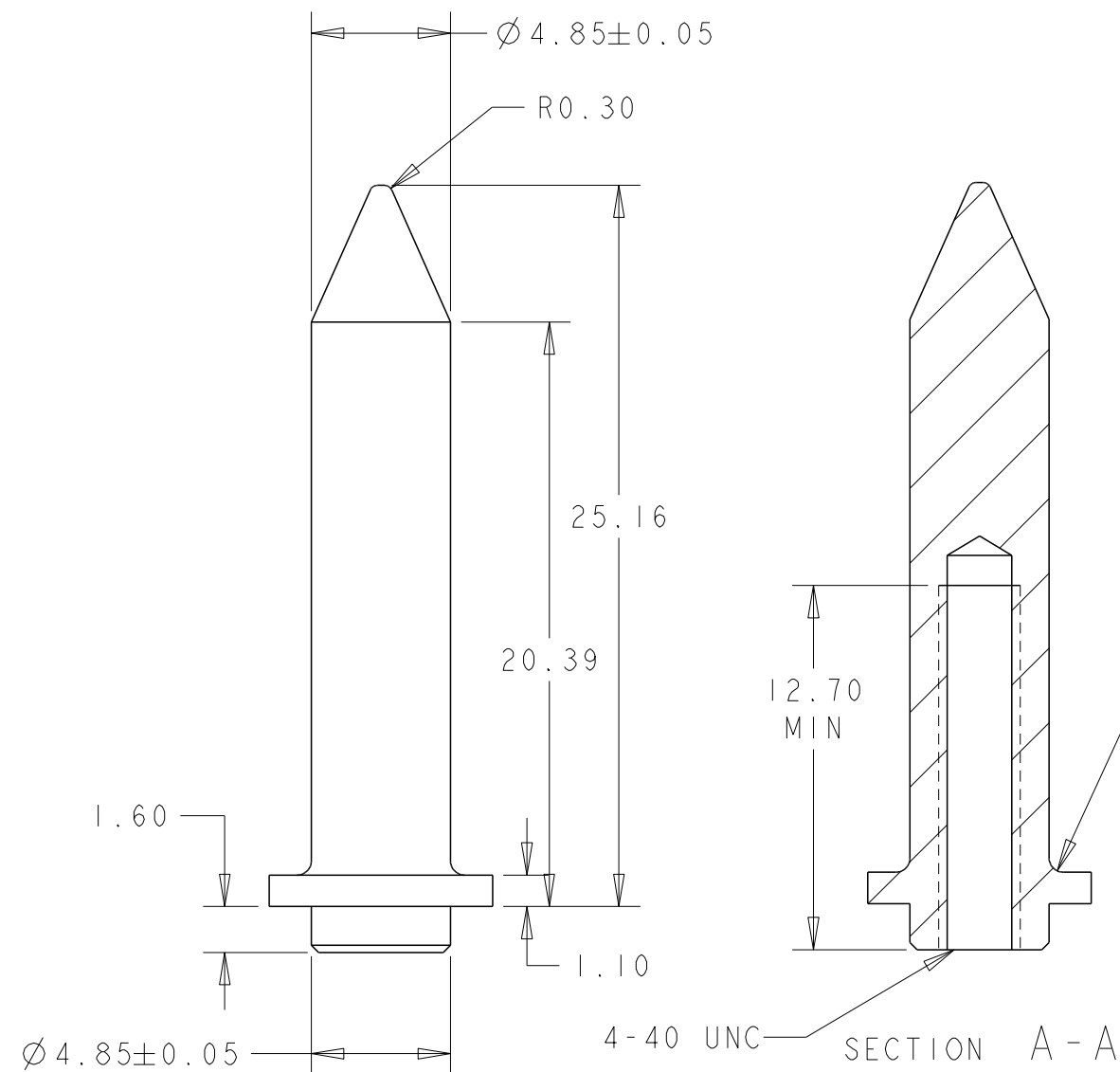
- 1 MATERIAL: STAINLESS STEEL.
- 2 PASSIVATE.



PRODUCTION VIEW  
P/N: 120985-1



PRODUCTION VIEW W INSTALLATION FEATURE  
P/N: 120985-3



UPM GUIDE PIN WITH INSTALLATION EDGE	120985-3
UPM GUIDE PIN NO INSTALLATION EDGE	120985-1
DESCRIPTION	PART NUMBER

DIMENSIONS:		TOLERANCES UNLESS OTHERWISE SPECIFIED:		DWN 25APR2008		Tyco Electronics	
mm		0 PLC	±-	B. CARBO		Tyco Electronics	
		1 PLC	±0.0	CHK 25APR2008		Harrisburg, PA 17105-3608	
		2 PLC	±0.13	R. PATTERSON		NAME	
		3 PLC	±0.000	APVD 25APR2008		GUIDE PIN, UNIVERSAL POWER MODULE	
		4 PLC	±0.0000	R. PATTERSON		-	
		ANGLES	±-	PRODUCT SPEC		-	
MATERIAL		FINISH		APPLICATION SPEC		-	
1		2		WEIGHT		-	
				SIZE		CAGE CODE	
				A 300779		C=120985	
				CUSTOMER DRAWING		RESTRICTED TO	
				SCALE 4:1		-	
				SHEET 1 OF 1		REV AI	

# Mouser Electronics

Authorized Distributor

Click to View Pricing, Inventory, Delivery & Lifecycle Information:

[TE Connectivity:](#)

[120985-1](#)