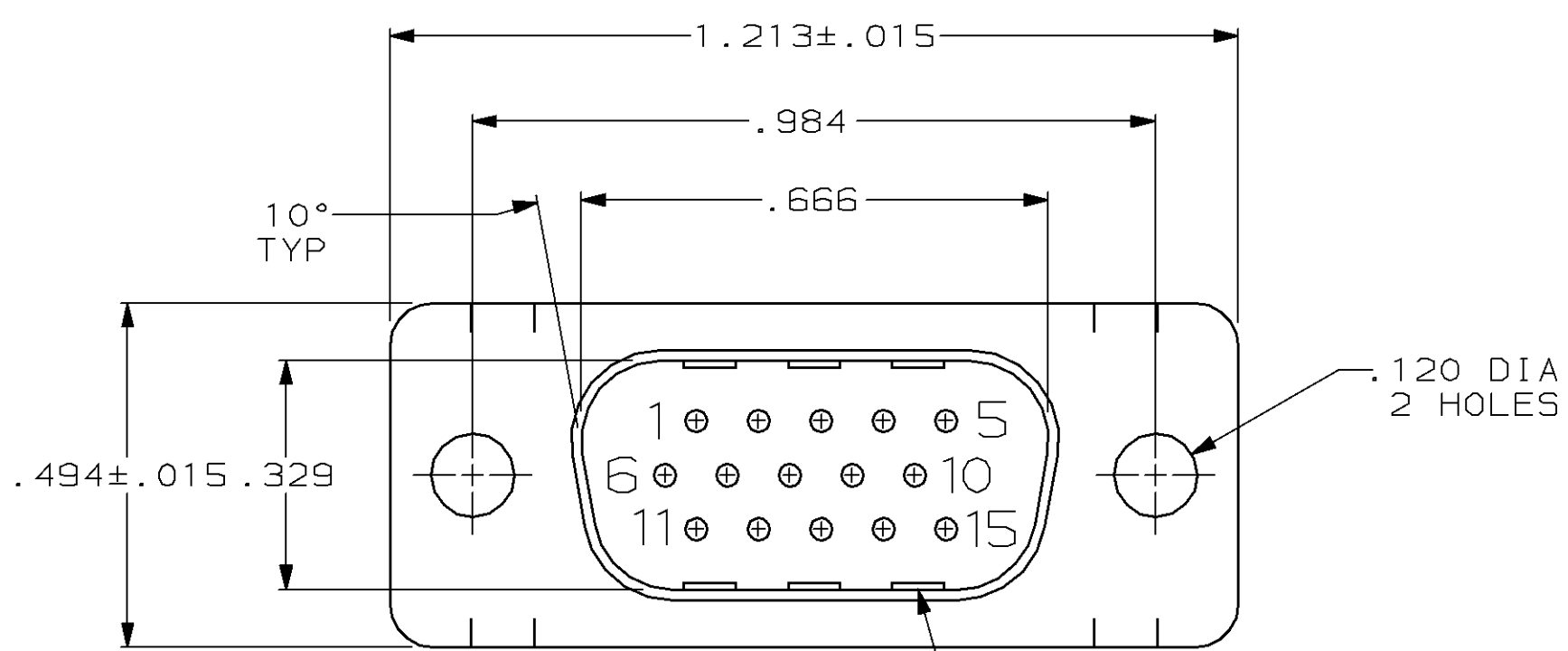
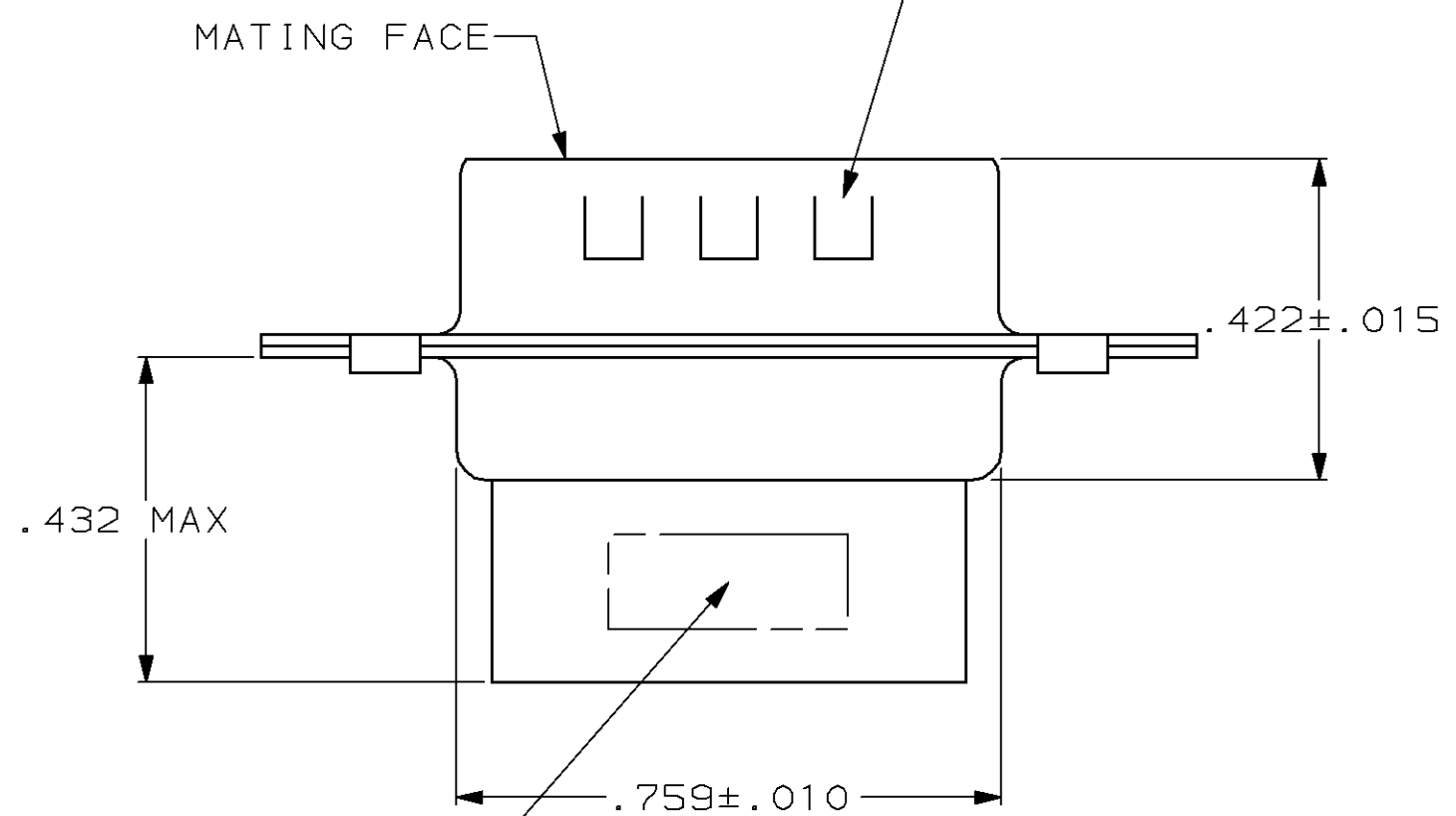


LOC	DIST	P	F	ZONE	LTR	DESCRIPTION	DATE	APPD
BD	48					REL WAS 86-5528-6	-	-
					A	ADDED -2 PER NPR 2395	05/08/89	LB
					B	REV PER ECN BD6802	12/03/92	RM
					B1	ADDED -4 PER NPR 4842	07/07/93	SB
					C	OBS -2 PER EC 0020-1534-93	04/14/94	PR
					D	ADDED -5 PER EC 0020-615-96	17 JUN 96	PF

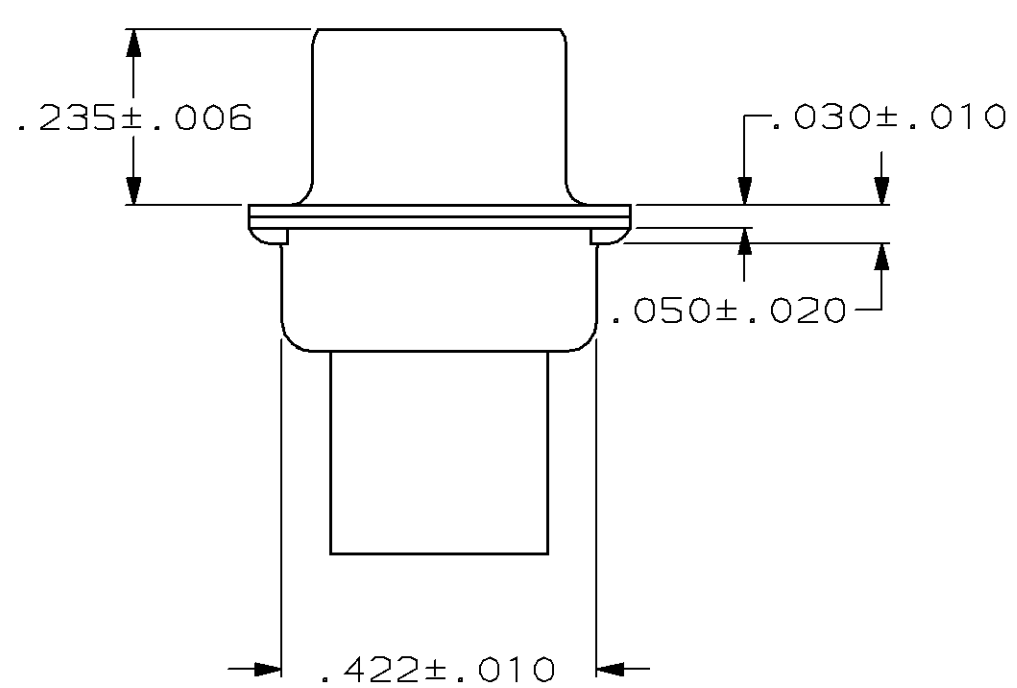


- CONNECTOR ACCEPTS SIZE 22 DF PIN CONTACTS, RETENTION TINES ARE AN INTEGRAL PART OF INSERT.
- NYLON, FLAME RETARDANT, 94V-0 RATED, GLASS FILLED, BLACK.
- STEEL PER ASTM A109.
- TIN OR TIN-LEAD PLATED PER MIL-T-10727.
- TIN PLATED PER MIL-T-10727 OVER COPPER PER MIL-C-14550.
- 748364-5 IS FOR AMP THAILAND. PART HAS CIRCUIT HOLE #9 BLOCKED.

GROUNDING INDENTS (SEE TABLE)



AMP, PART NO. & DATE CODE, MARKED IN AREA INDICATED, ON FAR SIDE



PACKAGING TYPE	SHELL FINISH	GROUNDING INDENTS	PART NO
STANDARD	△5	YES	△6 748364-5
SMALL PACK	△5	YES	748364-4
OBSOLETE STANDARD	△4	NO	748364-2
STANDARD	△5	YES	748364-1

DO NOT SCALE PRINT. UNLESS SPECIFIED DIMENSIONS IN INCHES TOLERANCES ON : 2 PLC DEC ± - 3 PLC DEC ± .005 ANGLES ± 2°	DR 12-3-86 C.RICHARD CHK 12-4-86 S.WELDON APPD 12-4-86 L.BREKOSKY	AMP Incorporated Harrisburg, PA 17105-3608		
MATERIAL MOLDED PARTS: △2 SHELLS: △3	APPD 12-5-86 V.KUMAR PRODUCT SPEC -			NAME PLUG CONNECTOR, SIZE 1, 15 POSITION, AMPLIMITE™ HDP-22
FINISH SHELLS: SEE TABLE	APPLICATION SPEC -	SIZE C	CAGE CODE 00779	DRAWING NO G=748364
	WEIGHT -	SCALE 4:1	SHEET 1 OF 1	

THIS DRAWING IS A CONTROLLED DOCUMENT FOR AMP INCORPORATED. IT IS SUBJECT TO CHANGE AND THE CONTROLLING ENGINEERING ORGANIZATION SHOULD BE CONTACTED FOR THE LATEST REVISION.