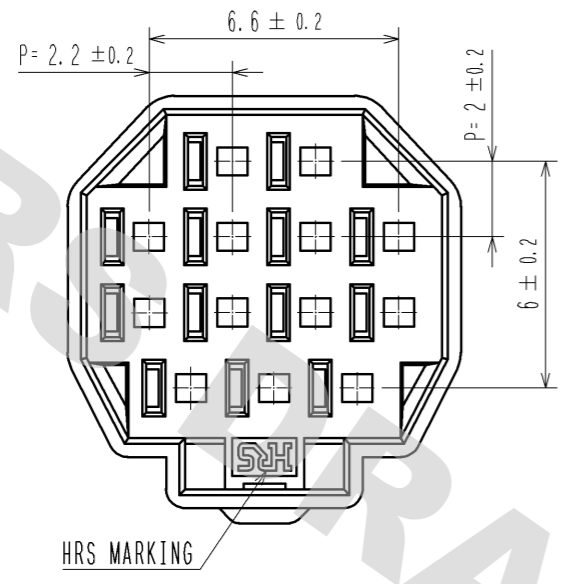
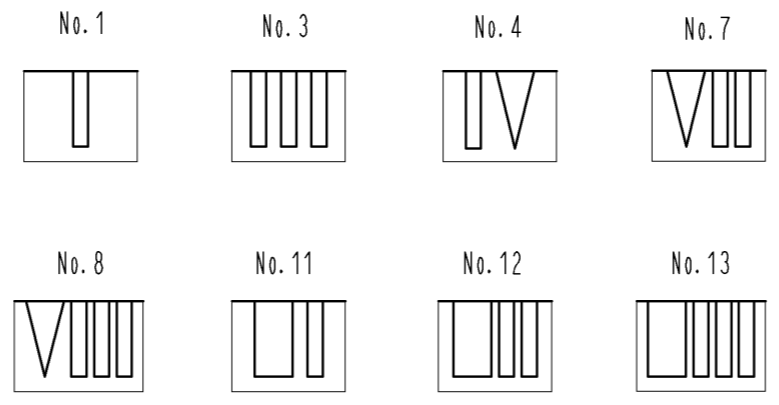


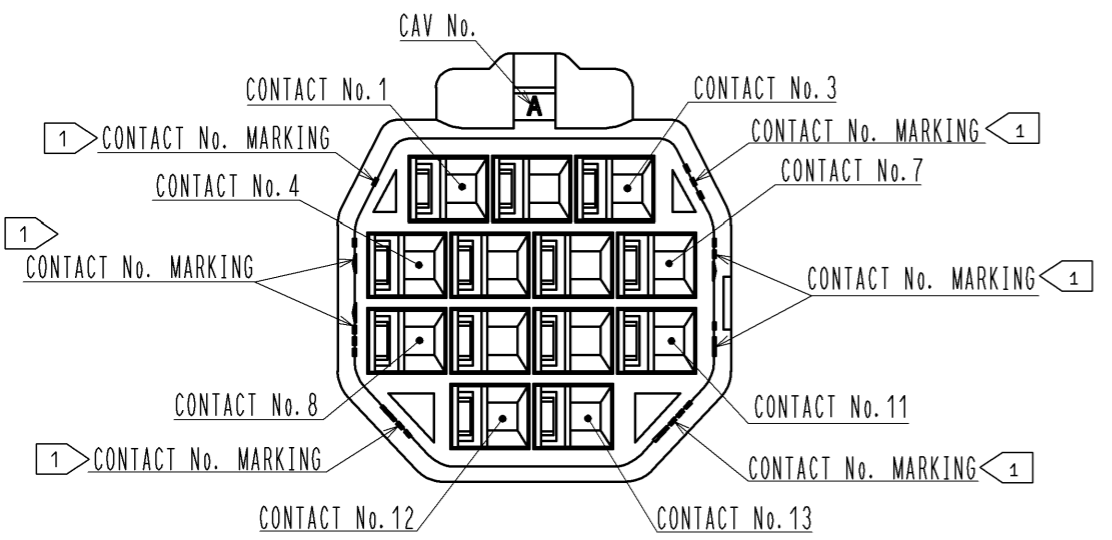
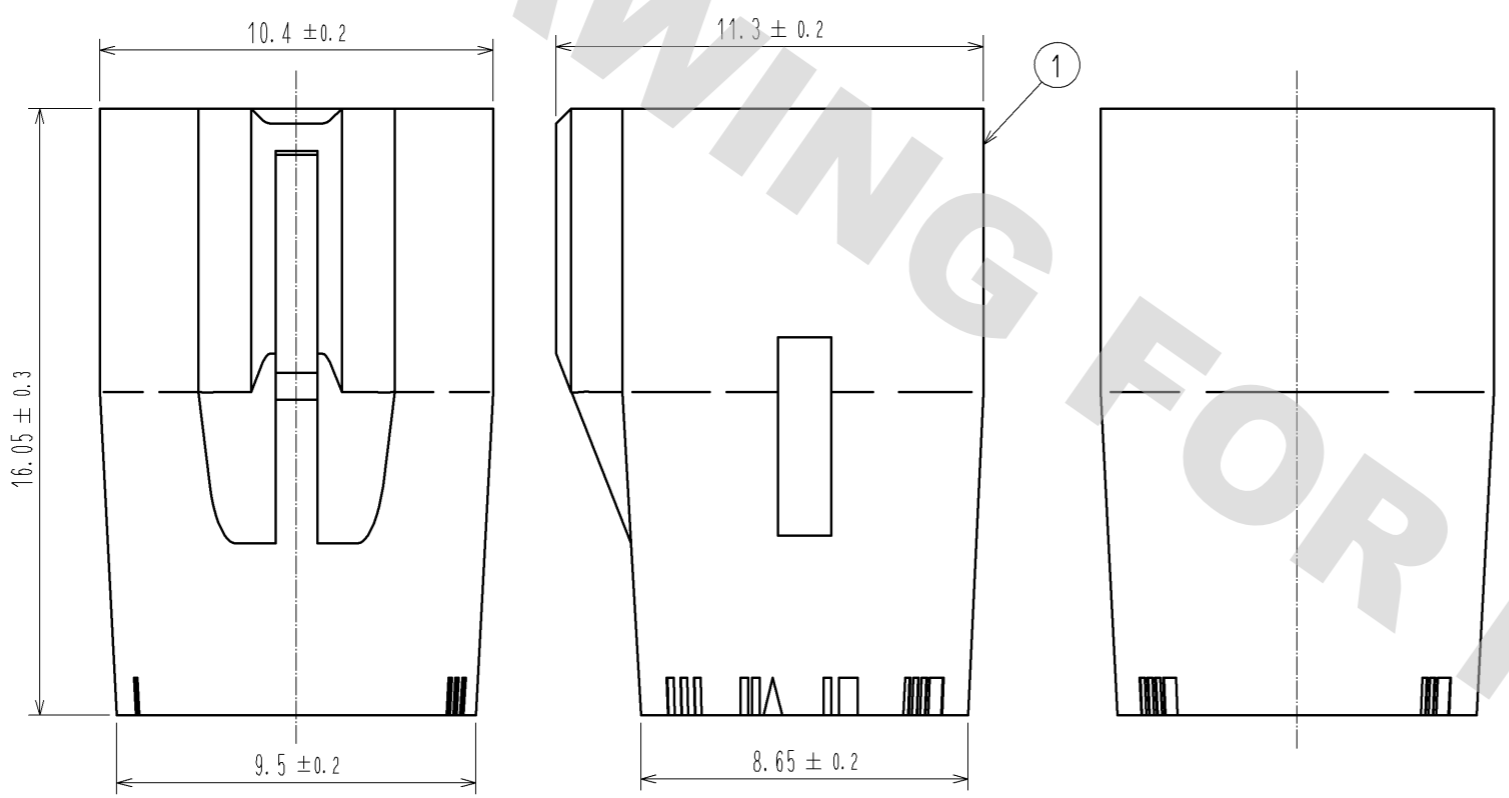
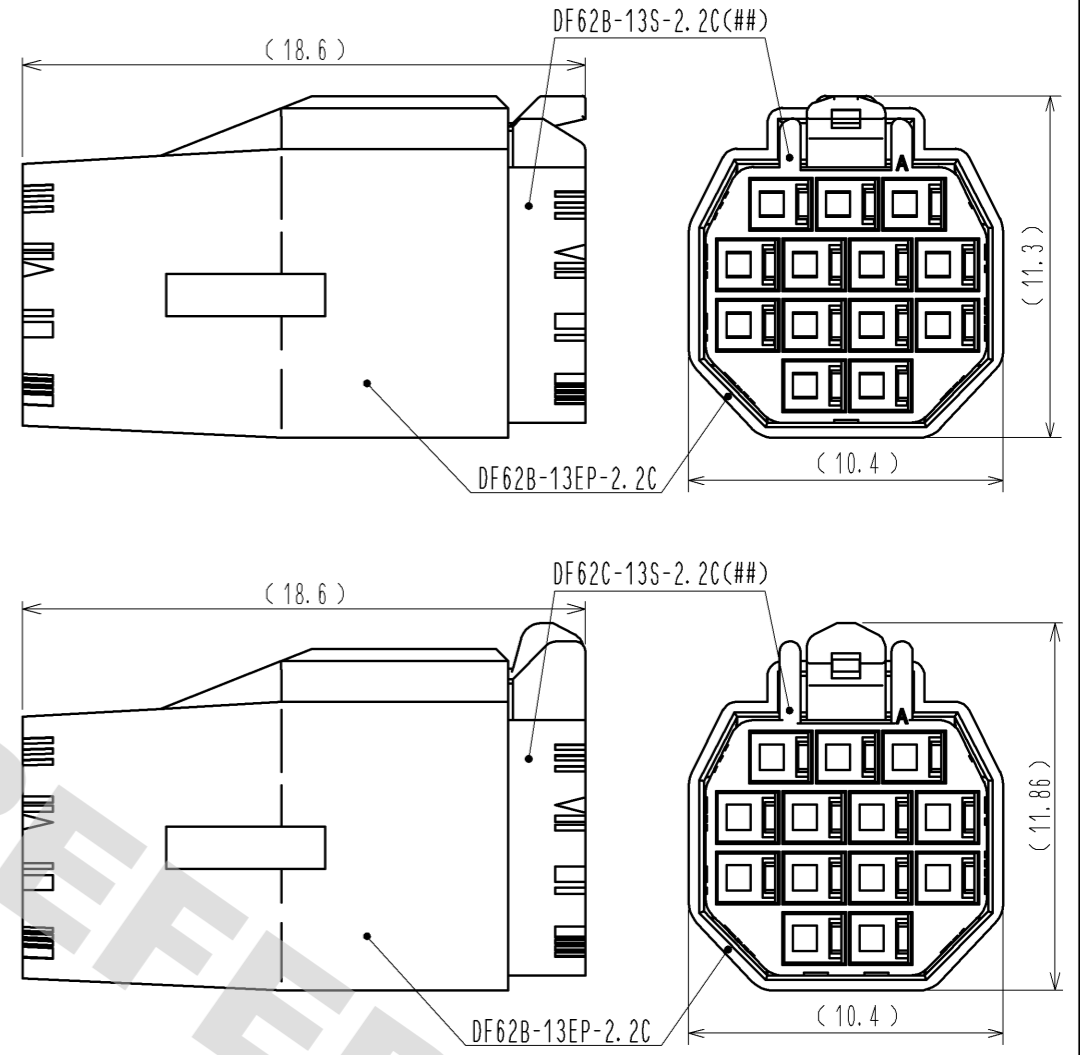
DRAWING FOR REFERENCE: This is subject to change without notice
12/05/2013



1 FIGURE-1 CONTACT No. MARKING (10:1)



MATING FIGURE (FREE)



NOTE. 1 MARKINGS AT THE INDICATED POSITIONS ARE CONTACT NO. MARKING. AND SHAPES ARE SHOWN IN FIGURE-1.
2. PER PACK : 100 PIECES.
3. THE DIMENSIONS IN PARENTHESIS ARE FOR REFERENCE.

NO.	MATERIAL	FINISH . REMARKS	1	PBT	UL94V-0 (BLACK)
UNITS	mm	SCALE	5 : 1	COUNT	DESCRIPTION OF REVISIONS
APPROVED : KI. AKIYAMA			13.05.28	DRAWING NO. EDC3-351969-00	
CHECED : HK. UMEHARA			13.05.28	PART NO. DF62B-13EP-2.2C	
DESIGNED : TS. KUMAZAWA			13.05.28	CODE NO. CL544-0564-1-00	
DRAWN : TS. KUMAZAWA			13.05.28	DATE	