

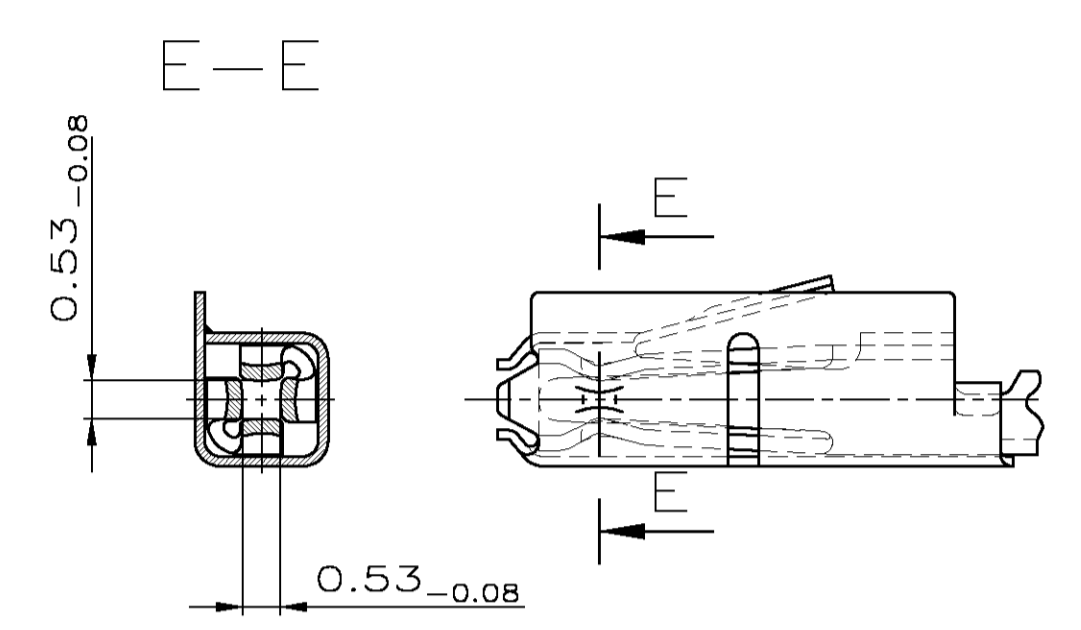
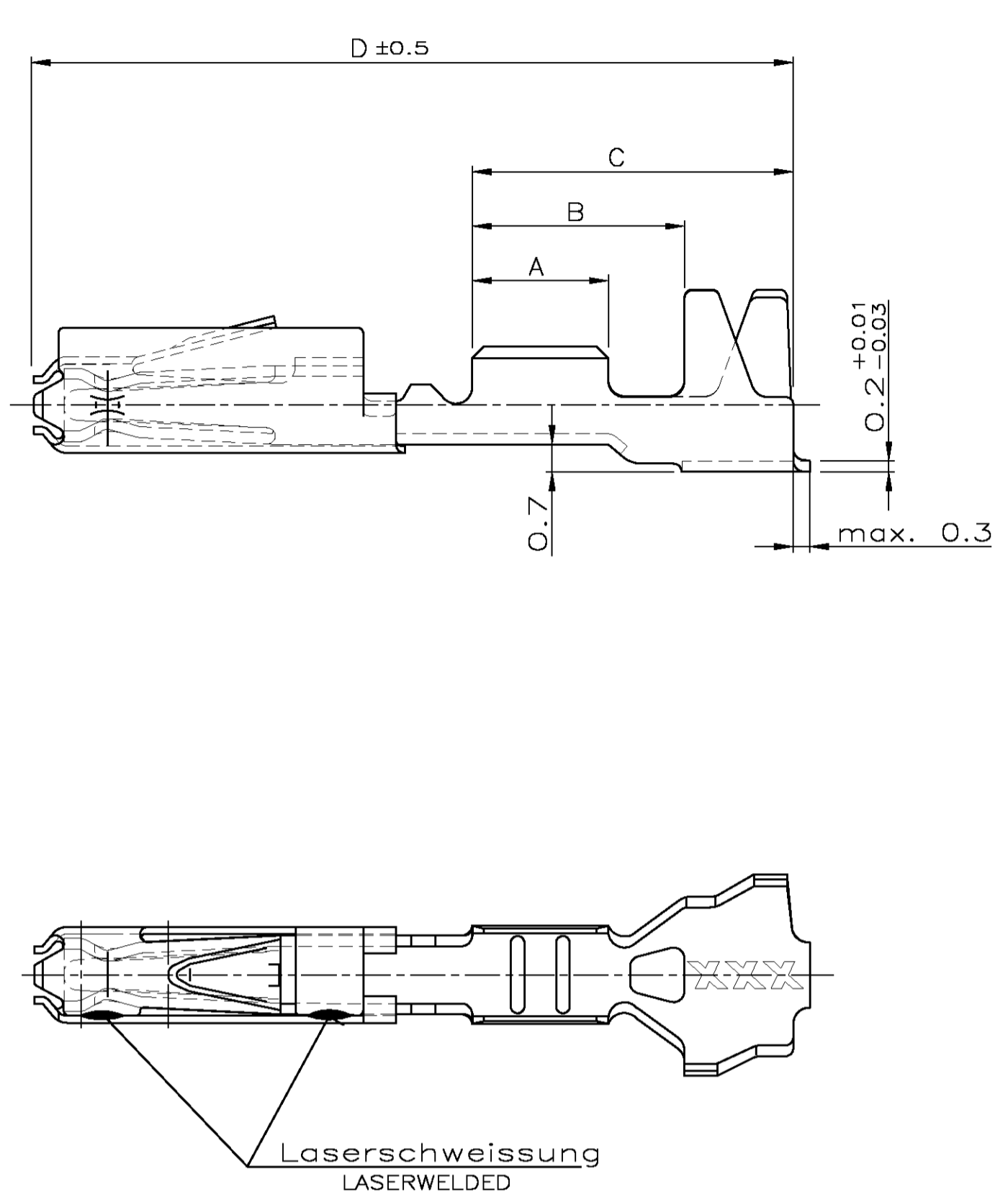
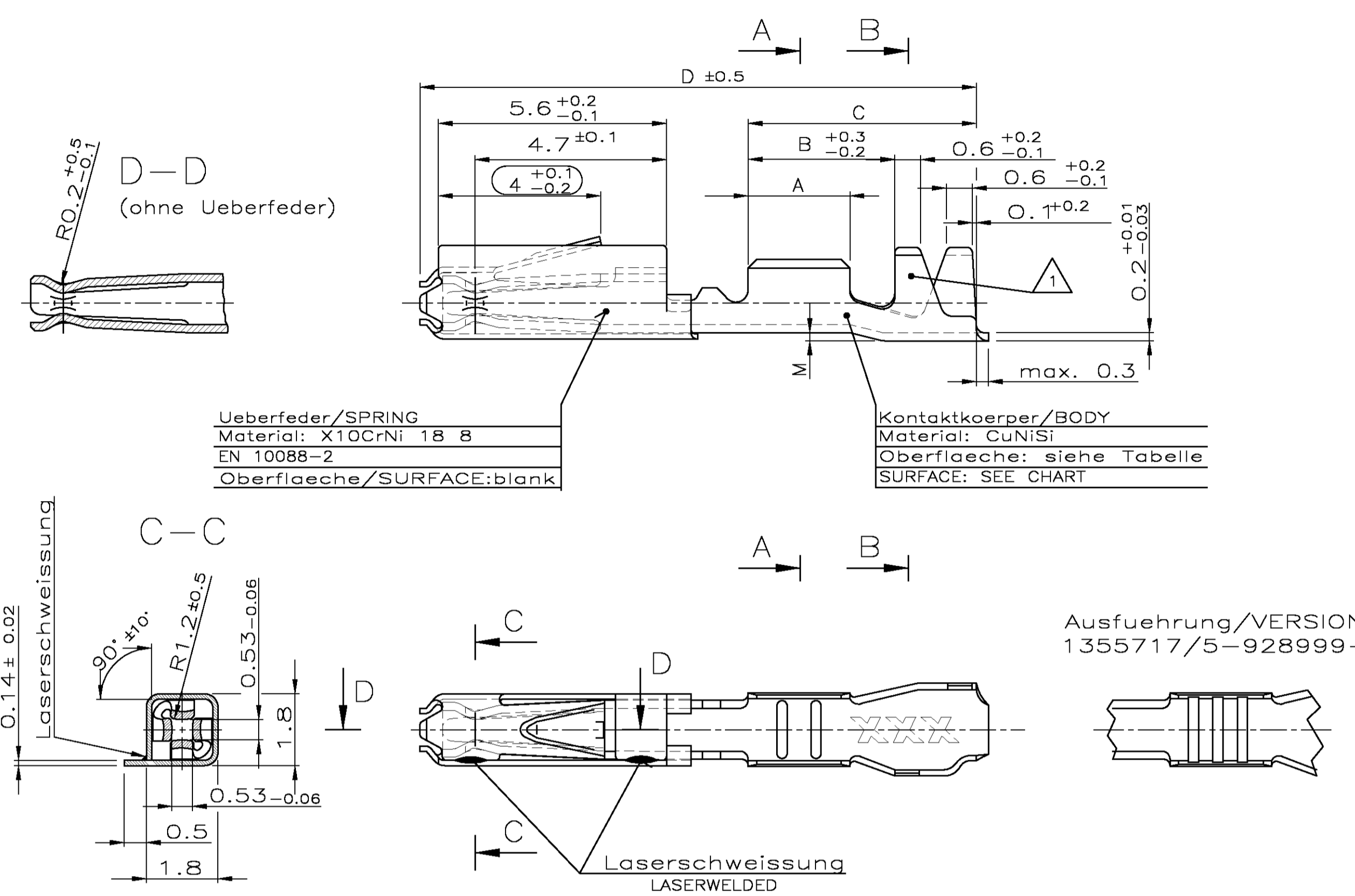
LOC	REV	DATE	BY	CHK	APPV
A1	-				
REVISIONS					
PROJECT NR.	84-9065				
LTR	EGAO-0367-03	11.09.03	Hassel	HK	
	EGAO-0659-04	16.03.04	Abr	HK	
	ECR-06-007059	19.07.06	KF	HK	
	ECR-06-005490	07.03.06	Abr	HK	
	ECR-10-017713	26AUG10	Abr	Brunner	
	ECR-10-021393	18OCT10	Abr	Brunner	

Normale Anwendung  
USUAL APPLICATION

Verzinnte Ausfuehrung  
TINNED VERSION

Einzel-Dichtungs-System  
SINGLE-WIRE-SYSTEM

Vergoldete Ausfuehrung  
GOLD VERSION

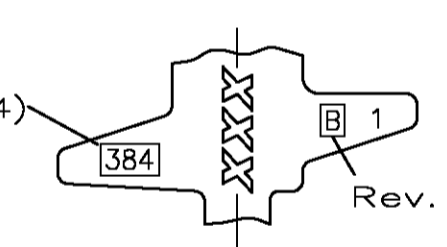


Ausfuehrung/VERSION  
1355717/5-928999-1

Fehlende Masse siehe verzinnte Ausfuehrung  
MISSING DIMENSION SEE TINNED VERSION

Bemerkungen  
NOTES

- Datumscode (Woche / Jahr ,z.B. KW38 / Jahr 2004) und TE-Revision (z.B. Rev.B)  
DATE-CODE (WEEK / YEAR (E.G.WEEK NUMBER 38 / YEAR 2004) AND TE REVISION (E.G. REV. B)
- Passend zu Stiftkontakt siehe Zeichnung: TE: 929453  
SUITABLE FOR PIN CONTACT SEE DRAWING:
- Recyclingklasse nach BMW N113 99.0 R3  
RECYCLINGCLASS TO
- Einzelheiten der Ausfuehrung bleiben dem Hersteller ueberlassen  
DETAILS OF DESIGN ARE LEFT TO MANUFACTURER
- Nur fuer FLR-Leitung nach DIN 72551, Teil 6  
FOR FLR-CONDUCTOR ACCORDING TO DIN 72551-6 ONLY
- Gereelte Ausfuehrung REELED VERSION: TE: 963379-7
- Gereelte Ausfuehrung REELED VERSION: TE: 963379-6
- Bei 0.5mm<sup>2</sup>-Leitung im Airbagpfad ist die Verwendung der Kontakte fuer Drahtgroessenbereich 0.5 ... 0.75mm<sup>2</sup> vorgeschrieben  
FOR 0.5mm<sup>2</sup>-WIRE IN AIRBAG-APPLICATIONS THE CONTACT FOR WIRE-SIZE 0.5 ... 0.75mm<sup>2</sup> IS PRESCRIBED
- Fuer Ag-Varianten sind keine Laboruntersuchungen verfuegbar, deshalb sind diese Pn's nicht in der Produktspez. aufgefuehrt.  
FOR Ag-VARIANTS TESTS ARE NOT AVAILABLE, Ag PN'S ARE NOT IN PRODUCTSPEC.



TE BESTELL-NR. ORDER NO.	REV.	Einzelueberfuehrung LOOSE PIECE	VERSION	DGB WIRE-SIZE-RANGE [mm <sup>2</sup> ]	Oberflaeche SURFACE	Laenge LENGTH [mm]	Drahtcrimp WIRE CRIMP	Iso'crimp INSU.CRIMP	Gewicht WEIGHT [g]	Verarbeitung APPLICATION	DGB [mm <sup>2</sup> ]	Isolations- INSUL.-DIA. [mm]	fuer Kammer-φ 3.45 mm FOR CAVITY-DIA. 3.45mm	fuer Kammer-φ 4 mm FOR CAVITY-DIA. 4mm				
965906-6	C	965907-6	Einzel-Dichtungs-System SINGLE WIRE SYSTEM	0.5 - 0.75	Ag	A = 2.8 B = 4.2 C = 6.2 D = 14.3	E = 2 G = 2.1 D <sub>cr</sub> = 1	H = 3.5 K = 3.4 L = 1.5 D <sub>cr</sub> = 2.4	0.13	siehe Verarbeitungs-spezifikation SEE	0.75			Blindstopfen RUBBER PLUG	TE: 967056-1	blau BLUE	TE: 963143-1	weiß WHITE
965906-5	D	965907-5			Au	A = 2.5 B = 3.9 C = 5.9 D = 14	E = 1.8 G = 1.8 D <sub>cr</sub> = 0.8	H = 3.5 K = 3.4 L = 1.5 D <sub>cr</sub> = 2.4	0.13	APPLICATIONSPEC 114-18025	0.35	1.4-1.9	TE: 967067-1	grün GREEN	TE: 963142-1	schwarz BLACK		
965906-1	C	965907-1			Sn	A = 2.5 B = 3.7 C = 5.4 D = -	E = 1.5 G = 1.5 D <sub>cr</sub> = 0.65	H = 3.5 K = 3.4 L = 1.5 D <sub>cr</sub> = 2.4	0.13		0.2	0.9-1.4	TE: 967067-2	gelb YELLOW	TE: 963142-2	grau GREY		
962885-6	H	963727-6	normale Anwendung USUAL APPLICATION	0.25 - 0.5	Ag	A = 2.5 B = 3.7 C = 5.9 D = 14	E = 1.8 G = 1.8 D <sub>cr</sub> = 0.8	H = 3.5 K = 3.4 L = 1.5 D <sub>cr</sub> = 2.4	0.13	APPLICATIONSPEC 114-18025	0.35	0.9-1.4	TE: 967067-2	gelb YELLOW	TE: 963142-2	grau GREY		
962885-5	J	963727-5			Au	A = 2.5 B = 3.7 C = 5.4 D = -	E = 1.5 G = 1.5 D <sub>cr</sub> = 0.65	H = 3.5 K = 3.4 L = 1.5 D <sub>cr</sub> = 2.4	0.13		0.2	0.9-1.4	TE: 967067-2	gelb YELLOW	TE: 963142-2	grau GREY		
962885-1	H	963727-1			Sn	A = 2.5 B = 3.7 C = 5.4 D = -	E = 1.5 G = 1.5 D <sub>cr</sub> = 0.65	H = 3.5 K = 3.4 L = 1.5 D <sub>cr</sub> = 2.4	0.13		0.2	0.9-1.4	TE: 967067-2	gelb YELLOW	TE: 963142-2	grau GREY		
963715-6	H	963729-6	normale Anwendung USUAL APPLICATION	0.5 - 0.75	Ag	A = 2.8 B = 3.8 C = 5.6 D = 13.7 M = 0.2	E = 2 G = 2.1 D <sub>cr</sub> = 1	H = 2.7 K = 2.9 L = 0.7 D <sub>cr</sub> = 1.6	0.11	siehe Verarbeitungs-spezifikation SEE APPLICATIONSPEC 114-18021								
963715-5	J	963729-5			Au	A = 2.5 B = 3.7 C = 5.6 D = 13.7 M = 0.2	E = 1.8 G = 1.8 D <sub>cr</sub> = 0.8	H = 2.3 K = 2.3 L = 0.6 D <sub>cr</sub> = 1.4	0.11	APPLICATIONSPEC 114-18021								
963715-1	H	963729-1			Sn	A = 2.5 B = 3.7 C = 5.6 D = 13.7 M = 0.2	E = 1.5 G = 1.5 D <sub>cr</sub> = 0.65	H = 2 K = 2 L = 1.1 D <sub>cr</sub> = 1.1	0.1	APPLICATIONSPEC 114-18021								
5-928999-1	S	5-963726-1	normale Anwendung USUAL APPLICATION	0.14 - 0.22	Ag	A = 2.5 B = 3.7 C = 5.6 D = 13.7 M = 0	E = 1.5 G = 1.5 D <sub>cr</sub> = 0.65	H = 2 K = 2 L = 1.1 D <sub>cr</sub> = 1.1	0.1	APPLICATIONSPEC 114-18021								
928999-6	R	963726-6			Au	A = 2.5 B = 3.7 C = 5.6 D = 13.7 M = 0	E = 1.5 G = 1.5 D <sub>cr</sub> = 0.65	H = 2 K = 2 L = 1.1 D <sub>cr</sub> = 1.1	0.1	APPLICATIONSPEC 114-18021								
928999-5	S	963726-5			Sn	A = 2.5 B = 3.7 C = 5.6 D = 13.7 M = 0	E = 1.5 G = 1.5 D <sub>cr</sub> = 0.65	H = 2 K = 2 L = 1.1 D <sub>cr</sub> = 1.1	0.1	APPLICATIONSPEC 114-18021								
1355717-5	C	1355718-5	normale Anwendung USUAL APPLICATION	0.14 - 0.22	Au	A = 2.5 B = 3.7 C = 5.6 D = 13.7 M = 0	E = 1.5 G = 1.5 D <sub>cr</sub> = 0.65	H = 2 K = 2 L = 1.1 D <sub>cr</sub> = 1.1	0.1	APPLICATIONSPEC 114-18021								
1355717-1	C	1355718-1			Sn	A = 2.5 B = 3.7 C = 5.6 D = 13.7 M = 0	E = 1.5 G = 1.5 D <sub>cr</sub> = 0.65	H = 2 K = 2 L = 1.1 D <sub>cr</sub> = 1.1	0.1	APPLICATIONSPEC 114-18021								
Zugehoerige Einzeldichtung/SUITABLE SINGLE-WIRE-SEAL																		

M1:1

DIMENSIONS: mm		TOLERANCES UNLESS OTHERWISE SPECIFIED: ALUMINIUMTOLERANZEN	
DIN 8330-m		DIN 8330-m	
MATERIAL		FINISH/OBERFLAECHENFARBE	
-		-	
DATE	05-JAN-99	DESIGNER	G. Garcia
DATE	05-JAN-99	CHK	Jetter
DATE	13-AUG-03	APPV	M.Bleicher
PRODUCT SPEC	108-18030	APPLICATION SPEC	108-18030
VERARBEITUNGSSPEZ.		WEIGHT	
TECHNINGS-NR.	100779	REV	929454
CUSTOMER DRAWING	/SONDERZEICHNUNG	MASSTAB	1:1
RESTRICTED TO	FOR PUR	BLATT	1 von 1
REV	C8	OF	1