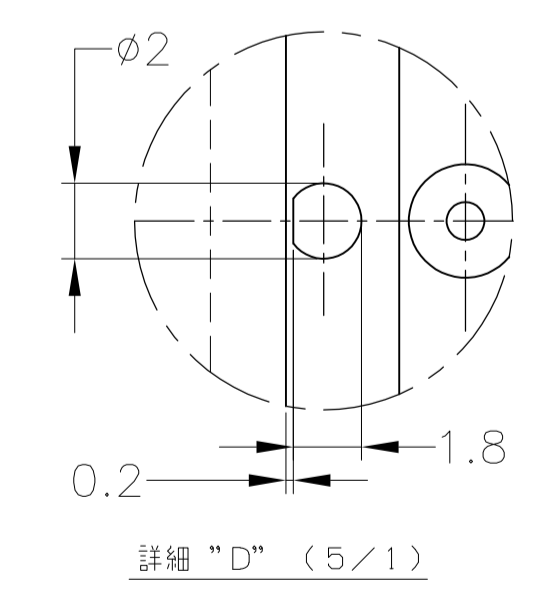
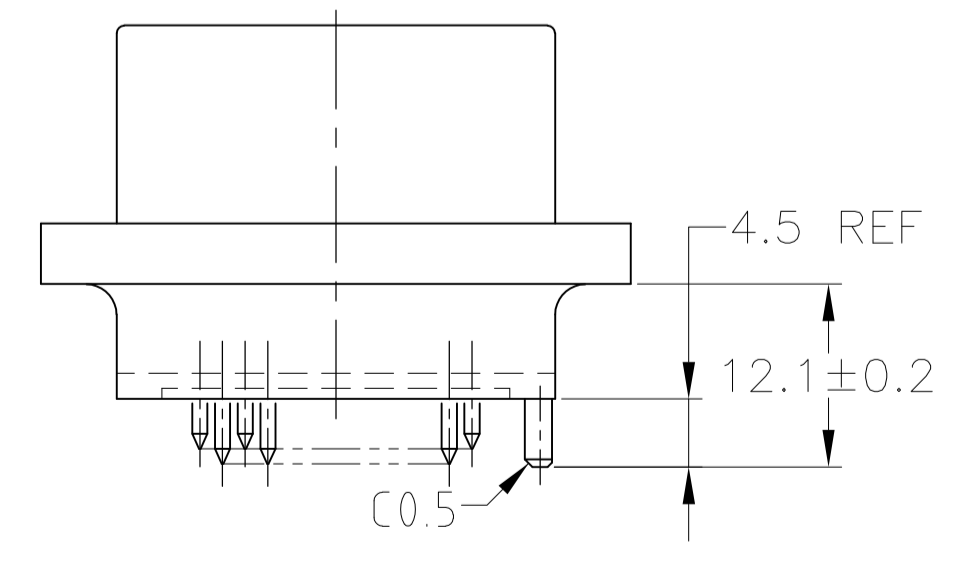
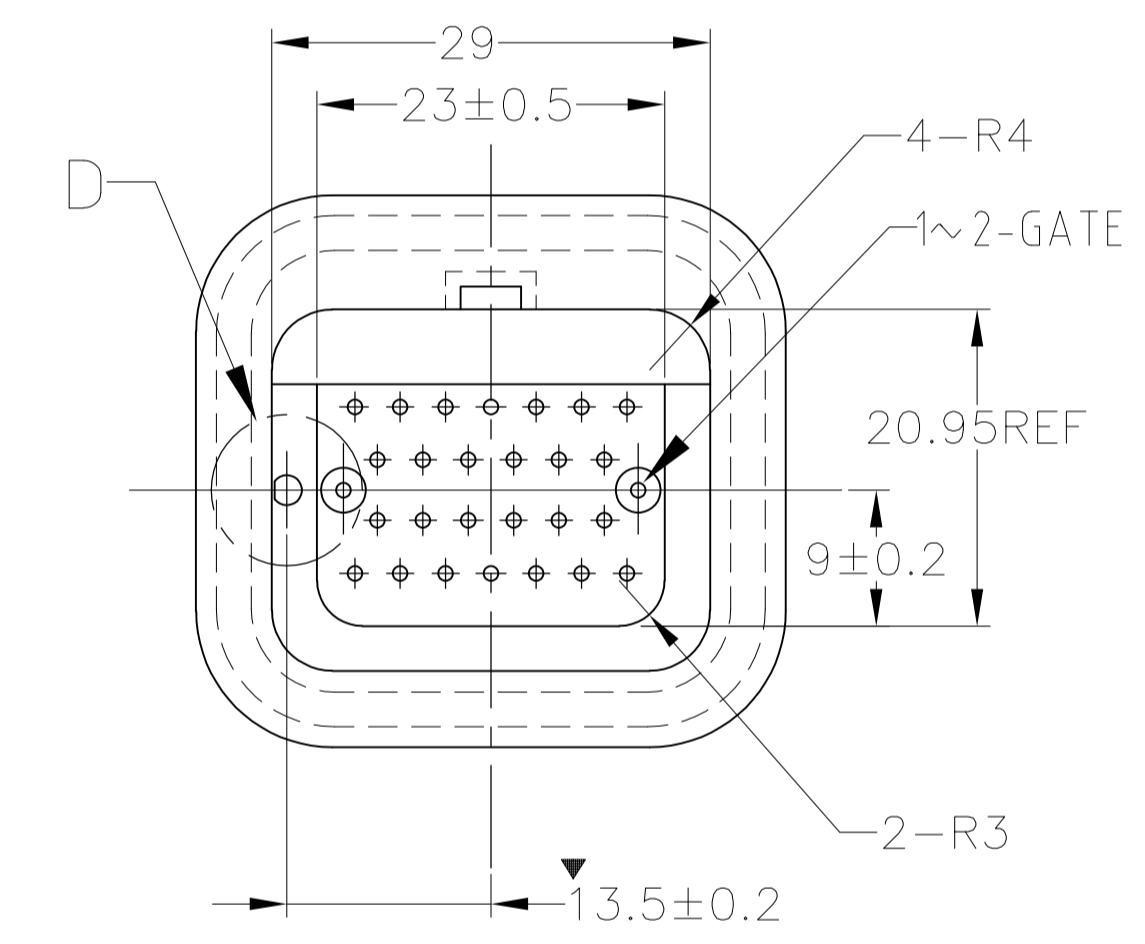
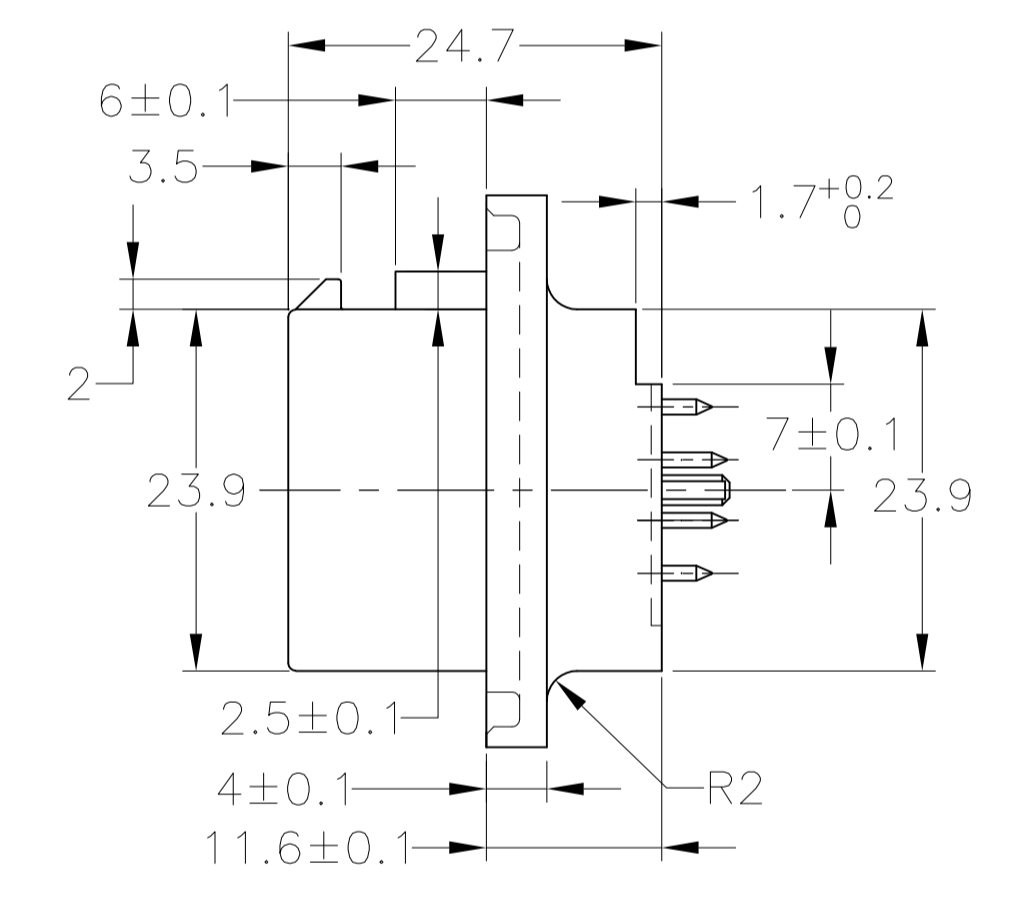
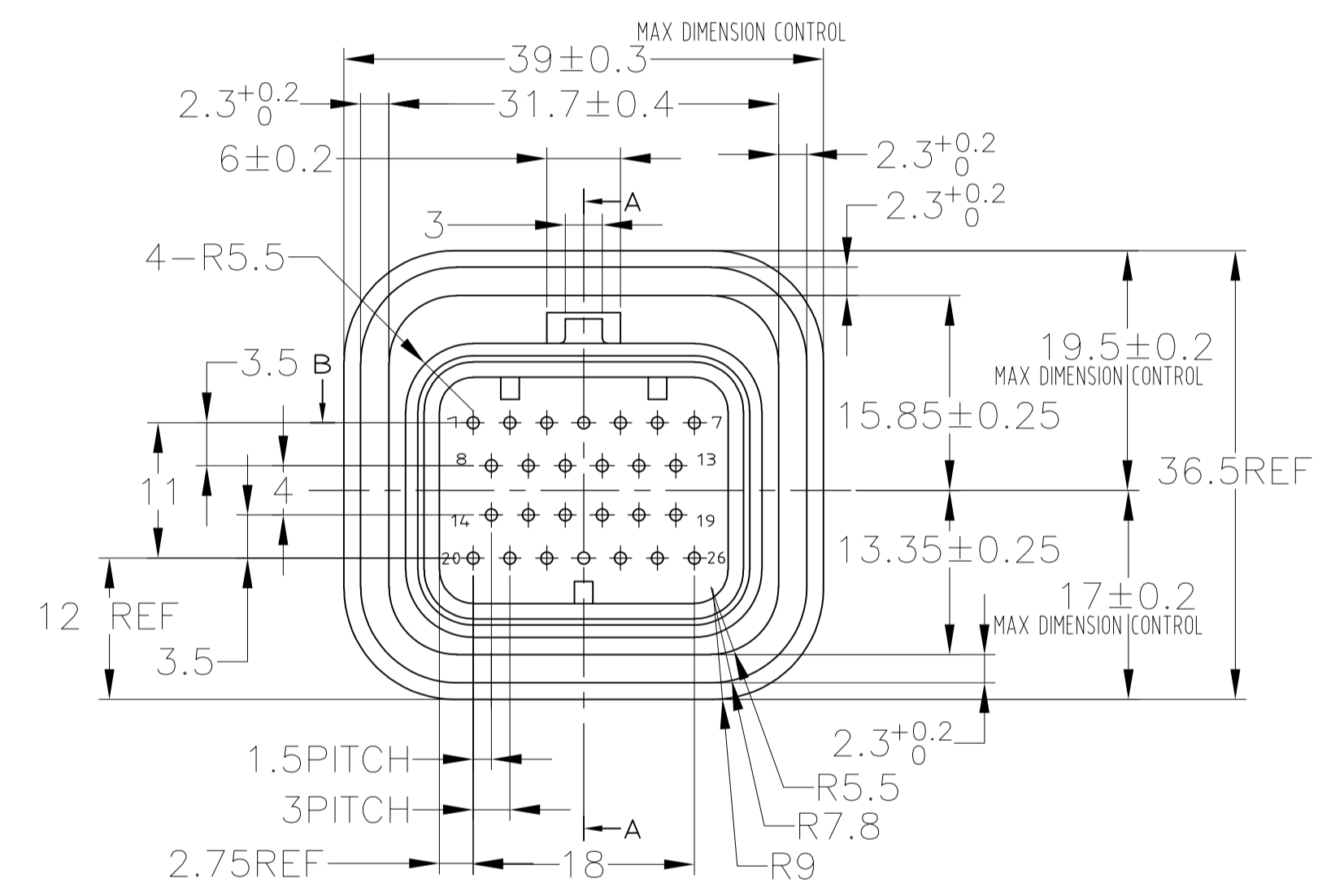
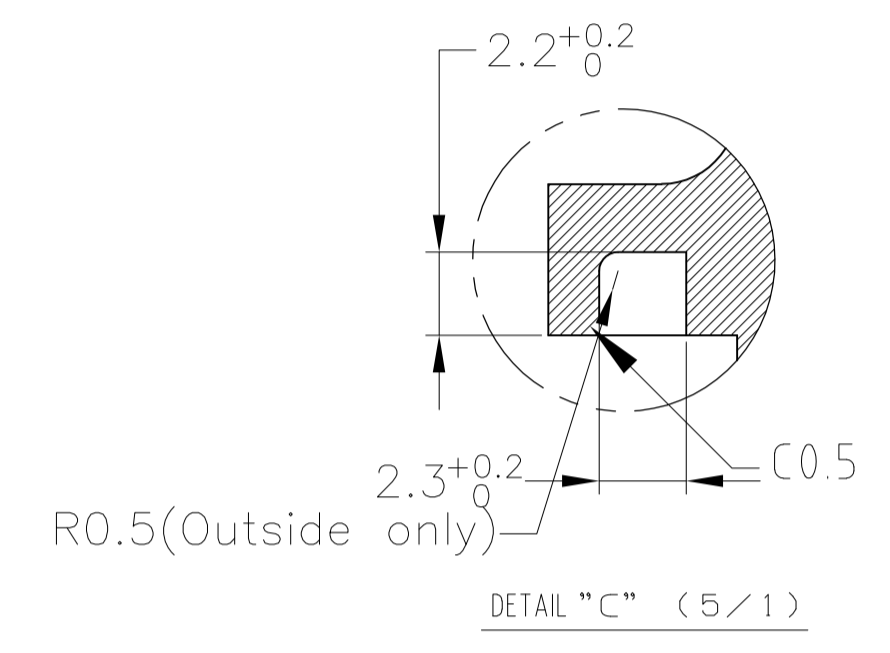
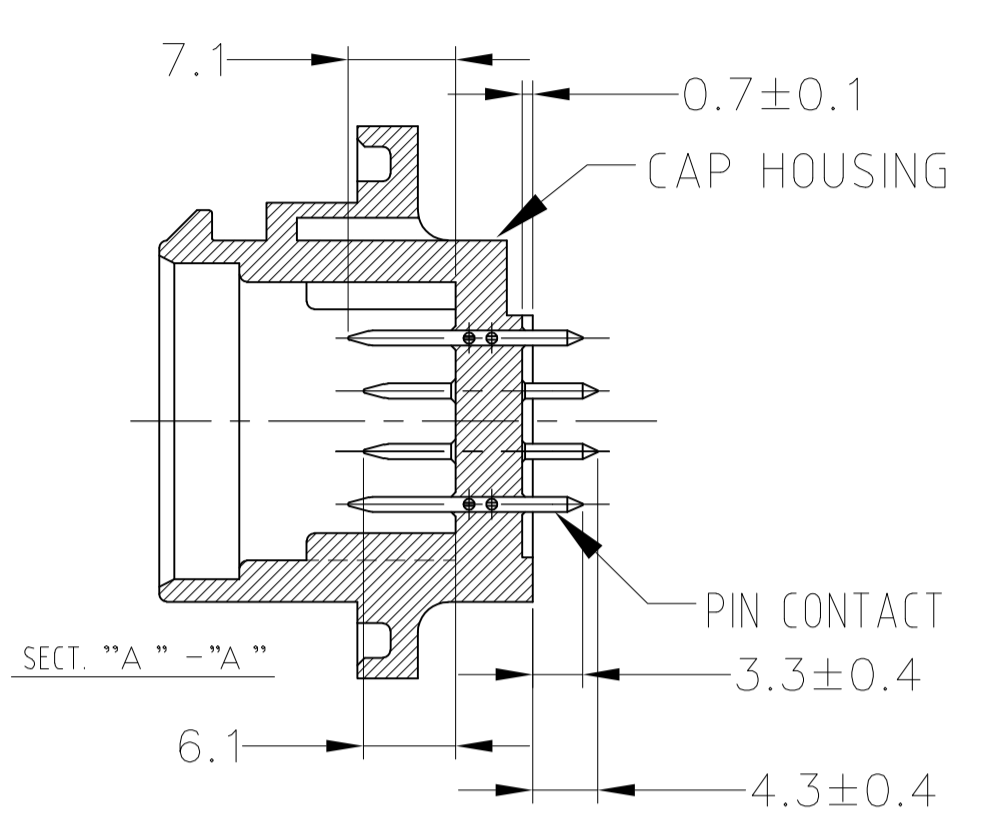
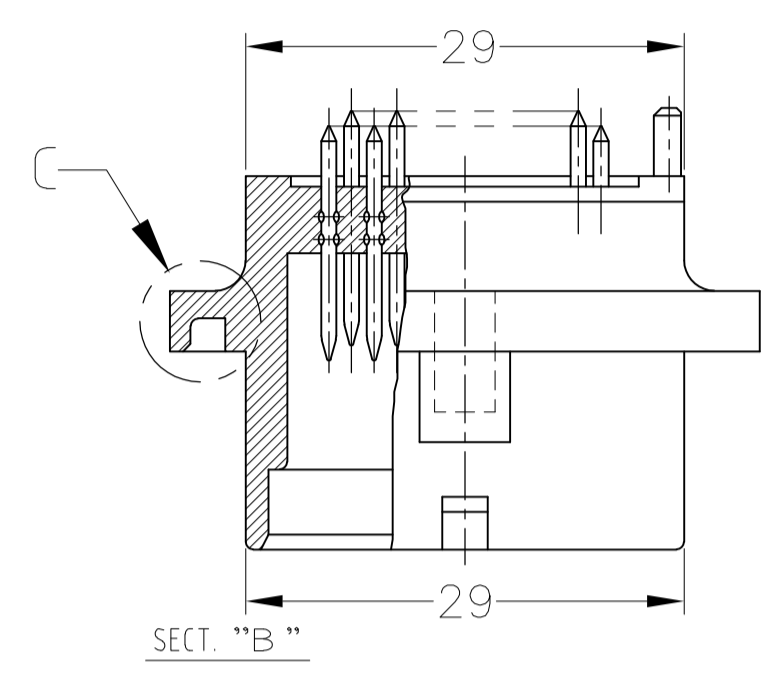
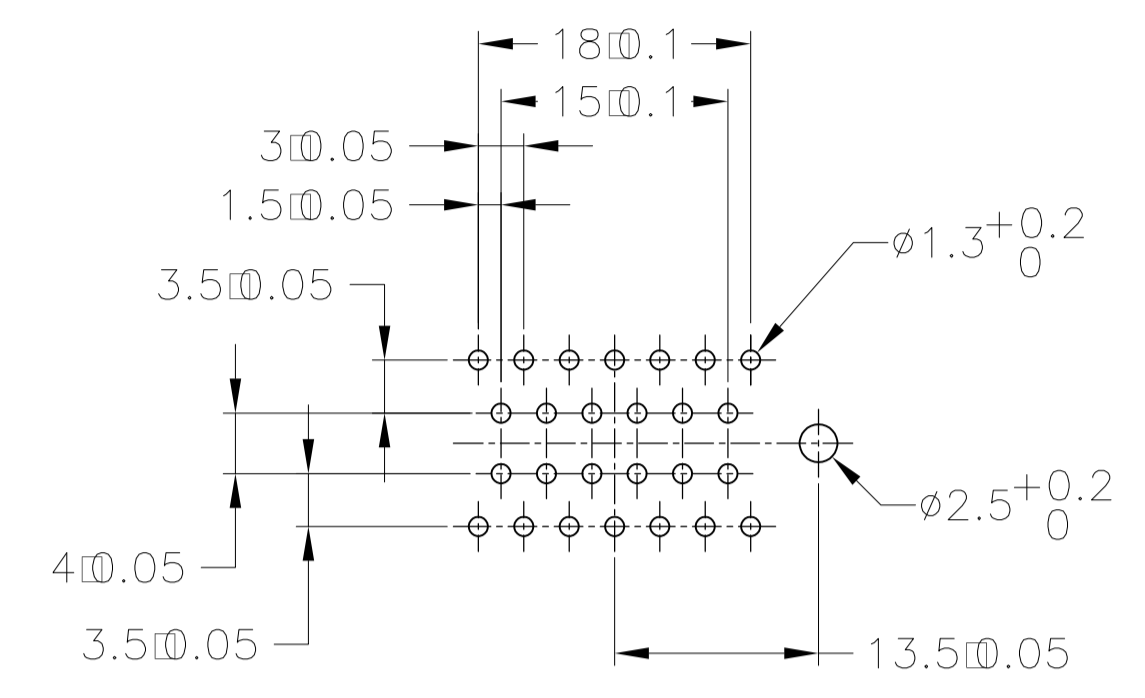


(MOUNTING DIMENSIONS FOR P.C BOARD, TOLERANCE±0.1)  
 プリント基板取付穴



NOTES, 1.GENERAL TOLERANCE : ± 0.3  
 DRAFT ANGLE : ± 1 MAX  
 ALL UNSPECIFIED RADII : R0.5  
 ALL UNSPECIFIED THICKNESS : 15  
 2.MATERIAL  
 CAP HOUSING : THERMOPLASTIC POLYESTER  
 PIN CONTACT : BRSS  
 3.CRITICAL DIMENSIONS:▼

|                              |                 |                        |                           |                      |                     |           |
|------------------------------|-----------------|------------------------|---------------------------|----------------------|---------------------|-----------|
| SEE DWG 1473418              | SEE DWG 1473418 | -                      | SELECTIVE-TIN (MATTE)     | SELECTIVE GOLD × 26  | 6473418-2           |           |
| SEE DWG 1473418              | SEE DWG 1473418 | -                      | SELECTIVE-TIN (MATTE)     | SELECTIVE GOLD × 26  | 6473418-1           |           |
| 3-1437290-7                  | -               | -                      | SELECTIVE-TIN (MATTE)     | SELECTIVE GOLD × 26  | 6437288-6           |           |
| OBSOLETE                     | SEE DWG 1473418 | SEE DWG 1473418        | TIN-LEAD                  | SELECTIVE GOLD × 26  | 1473418-2           |           |
| OBSOLETE                     | SEE DWG 1473418 | SEE DWG 1473418        | TIN-LEAD                  | SELECTIVE GOLD × 26  | 1473418-1           |           |
| OBSOLETE                     | 3-1437290-7     | -                      | 3900168-26                | TIN-LEAD             | SELECTIVE GOLD × 26 | 1437288-6 |
| MATING PLUG ASSEMBLY<br>嵌合相手 | REMARKS<br>備考   | OLD PART NUMBER<br>旧型番 | CONTACT FINISH<br>半田付は側   | CONTACT SEDE<br>接触部側 | PART NUMBER<br>型番   |           |
|                              |                 |                        | CONTACT FINISH<br>コンタクト仕上 |                      |                     |           |

THIS DRAWING IS A CONTROLLED DOCUMENT. DWN: A. YAMAGUCHI, 24SEP02  
 CHK: K. BETSUI, 24SEP02  
 APVD: K. BETSUI, 24SEP02  
 NAME: 水野 邦夫  
 PRODUCT SPEC: WATER SEALED CONNECTOR CAP HOUSING 26POS ASSEMBLY  
 APPLICATION SPEC: 取付適用規格  
 SIZE: A1, CASE CODE: 00779, DRAWING NO: 1437288-6, RESTRICTED TO: -  
 MATERIAL: - FINISH: 仕上 WEIGHT: - SCALE: 2:1, SHEET: 1 of 1, REV: A1