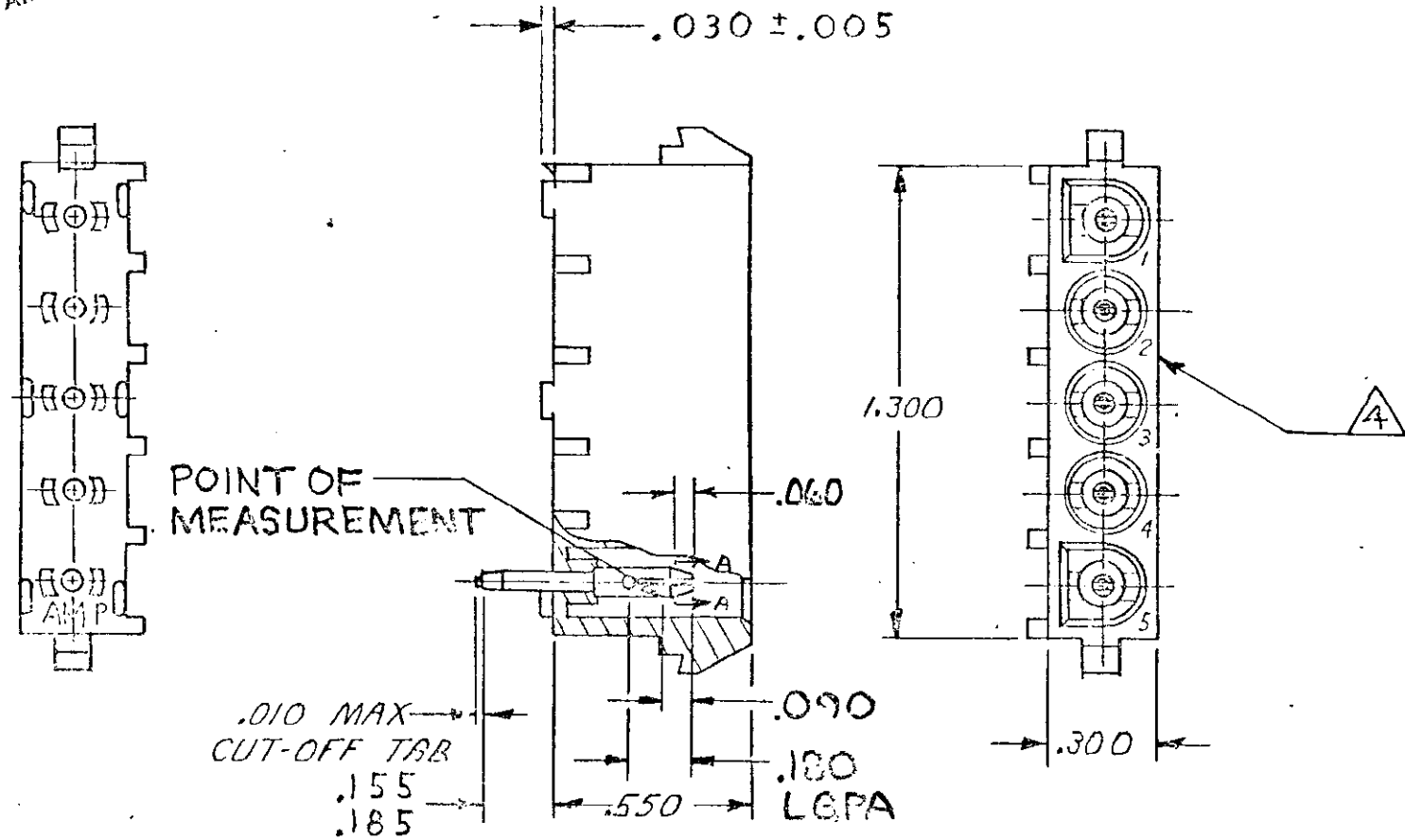


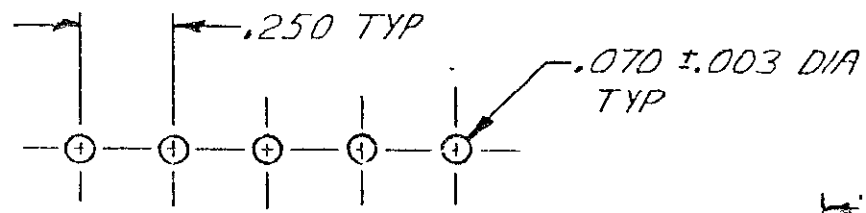
© COPYRIGHT 1977 BY AMP INCORPORATED, HARRISBURG, PA. ALL INTERNATIONAL RIGHTS RESERVED. AMP INCORPORATED PRODUCTS COVERED BY U. S. AND FOREIGN PATENTS AND/OR PATENTS PENDING.

UNPUBLISHED COPY NOT TO BE REPRODUCED NOR TRANSMITTED IN ANY FORM OR BY ANY MEANS WITHOUT WRITTEN PERMISSION OF AMP INCORPORATED.

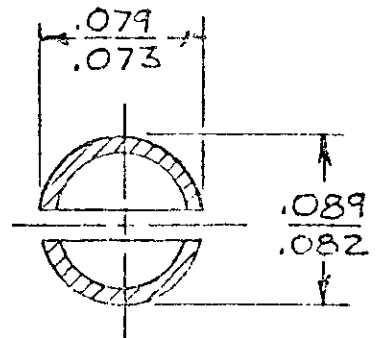
| REVISIONS |   |      |     |                             |         |          |
|-----------|---|------|-----|-----------------------------|---------|----------|
| P         | F | ZONE | LTR | DESCRIPTION                 | DATE    | APPROVED |
| ✓         |   |      | J   | REVISED PER EC 0730-4181-93 | 7-2-93  | LHG / RS |
|           |   |      | K   | REVISED PER EC-0730-0111-95 | 8-25-95 | JH / RS  |



- 1 PARTS COMPLY WITH AMP SOLDERABILITY SPEC NO. 109-11-3
- 2 MATES WITH HOUSING 480763 USING SOCKET CONTACTS.
- 3 .000050 NICKEL OVERALL WITH .000030 GOLD IN THE LGPA AND .000150 MATTE TIN ON SOLDER TAIL.
- 4 CIRCUIT IDENTIFICATION CHARACTERS ARE ADJACENT TO THE INDICATED CAVITIES, BUT LOCATION AND ORIENTATION MAY DIFFER FROM PRINT.



RECOMMENDED LAYOUT FOR .062 THICK P.C. BOARD



SECTION A-A SCALE 10:1

|  |                           |   |
|--|---------------------------|---|
| PH BRZ $\Delta$  | NYLON 94V-2, NATURAL      | 640466-2  |
| PHOS BRZ - PRE-TIN   | NYLON 94V-2, NATURAL      | 640466-1  |
| PIN MAT'L + FINISH   | HOUSING MAT'L + COLOR     | PART NO   |
| UNLESS OTHERWISE SPECIFIED DIMENSIONS ARE IN INCHES. TOLERANCES ON:<br>DECIMALS $\pm .015$<br>ANGLES $\pm$ — | CONTRACT NO               | AMP INCORPORATED<br>Harrisburg, Pa.                       |
|  | DR<br>m. Felton 8-4-77    |   |
| MATERIAL   | CHK<br>D. S. Hoyle 9/4/77 | NAME<br>PIN HEADER ASSY, 5 CKT.,<br>UNIVERSAL MATE-N-LOK™ |
|  | APPD<br>J. P. ... 8-11-77 |   |
| FINISH   | APPD                      | SIZE<br>B   |
|  | DSGN APPD                 | CODE IDENT NO<br>00779                                    |
|  | OTHER APPD                | DRAWING NO<br>640466                                      |
|  |                           | SCALE   |
|  |                           | SHEET   |