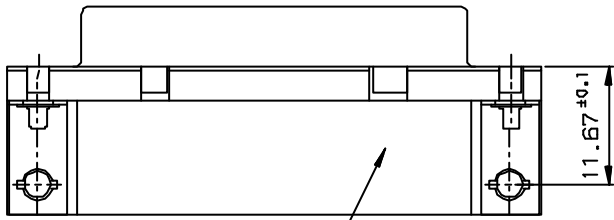
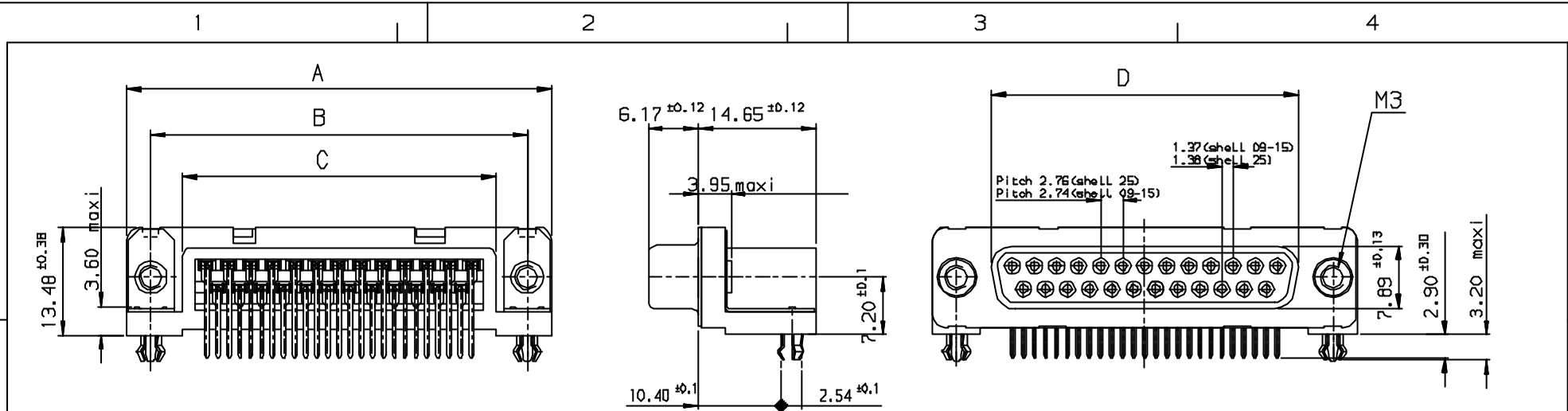


Tous droits strictement réservés. Reproduction ou communication à des tiers interdites sans autorisation écrite de la Direction de l'Ingénierie. Propriété de FCI. Droits de reproduction FCI.

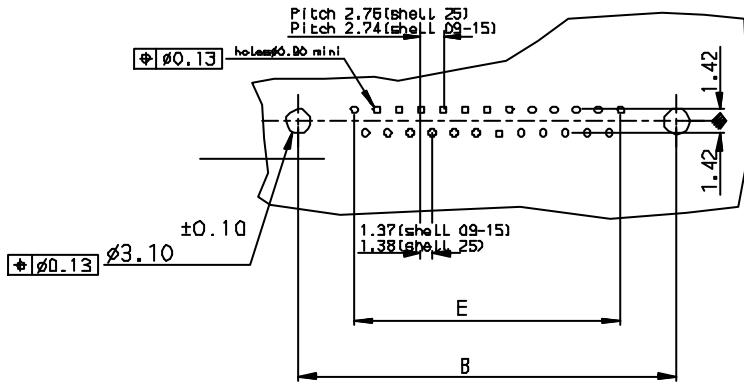
FCI

All rights strictly reserved. Reproduction or communication to third parties in any form without the written authority from the proprietor. Property of FCI. Copyright FCI.



Part Number & Date Code Printing

PC card drilling dimensions (after plating)
(thickness 1.60±0.20mm)



Pull Parts						
SHELL	A±0.38	B±0.12	C±0.10	D±0.25	PART NUMBER	LEAD FREE P/N
09	30.81	24.99	16.96	16.21	D09S13A4GL00	D09S13A4GL00**
15	39.14	33.32	25.18	24.54	D15S13A4GL00	D15S13A4GL00**
25	53.03	47.04	39.12	38.25	D25S13A4GL00	D25S13A4GL00**

GENERAL CHARACTERISTICS : SEE DRAWING CD1-8646-0000

LF FOR LEAD FREE

g	27705	LEAD FREE DETAILS ADDED
INDEX	DATE	REVISION DESCRIPTION

Utr	Eon no	Dr	date
g	105-0124	J5	27705

Dr JOHN SLEEBA 14/10/94 Product Family D-SUB			Tolerance LINEAR ±0.1 ANGULAR ±1°	Projection MM
Eng GEORGE VJ 14/10/94 Spec ref			D-SUB	A3
Chr GEORGE VJ 27705 Material				
Appr K Somasundaram 27705			ECN	Scale
Title SOCKET CONNECT.DELTA D RIGHT ANGLE WITH NUT,HARPOON and metal plate.			Dng no C01-8646-0165	
Catalog no DELTA-D			CUSTOMER COPY	Rev. g
			Sheet 1 of 1	