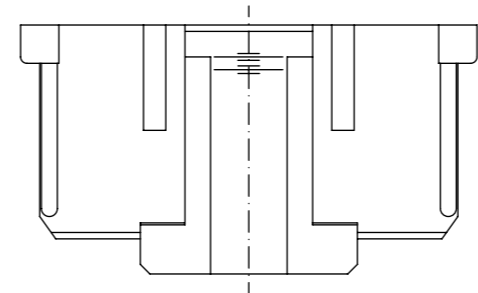
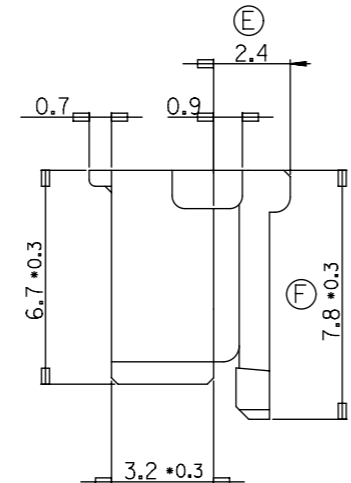
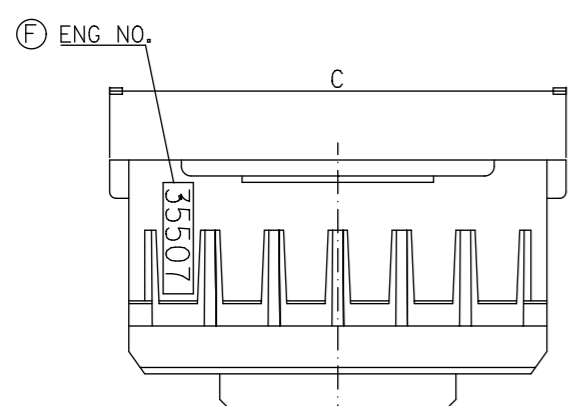


TERMINAL INSERTED DRAWING  
SCALE 2:1



NOTES

1. MATERIAL : POLYESTER, UL94V-0
- ② 2. FINISH : VARIABLE COLOR (SEE LEGEND)
3. PRODUCT SPECIFICATION NO : PS-35507-001
4. APPLICABLE TERMINAL : 50212-8000
5. MATES WITH : 35362-\*\*\*, 35363-\*\*\*

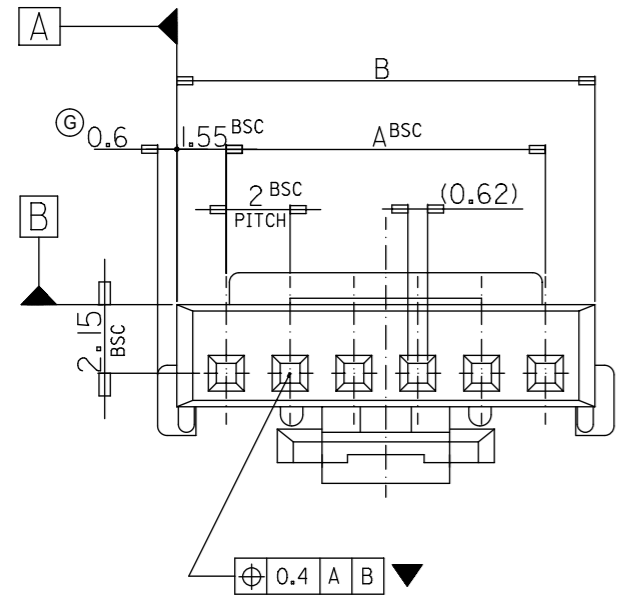
4	4	27.8	32.3	31.1	28	-150*	15
		25.8	30.3	29.1	26	-140*	14
		23.8	28.3	27.1	24	-130*	13
		21.8	26.3	25.1	22	-120*	12
		19.8	24.3	23.1	20	-110*	11
		17.8	22.3	21.1	18	-100*	10
7	7	15.8	20.3	19.1	16	-090*	9
8.0	10.8	13.8	18.3	17.1	14	-080*	8
4	4	11.8	16.3	15.1	12	-070*	7
		9.8	14.3	13.1	10	-060*	6
	③ 6.8	7.8	12.3	11.1	8	-050*	5
4.0	6.4	5.8	10.3	9.1	6	35507-040*	4
F	E	D	C	B	A	ENG NO.	CKT

③ LEGEND

CKT NO. \*\*\*0\* COLOR

- 0 : NATURAL
- 1 : BLACK
- 2 : RED
- 3 : YELLOW
- 4 : BLUE
- 5 : GREEN

④



30 over	+0.3
10 over 30 under	±0.25
10 under	±0.2
ANGLE	±3°
GENERAL TOLERANCE	

QUALITY SYMBOLS	THIS DRAWING CONTAINS INFORMATION THAT IS PROPRIETARY TO MOLEX ELECTRONIC TECHNOLOGIES, LLC AND SHOULD NOT BE USED WITHOUT WRITTEN PERMISSION	2017/07/10	DRWN BY	JHLEE05	DATE	2009/12/18
		2017/07/10	CHK'D BY	KSKIM	DATE	2009/12/18
2017/07/11	APPR BY	YUNSIKKIM	DATE	2009/12/21	DRAWING SIZE	
					THIRD ANGLE PROJECTION	
					A3	

GENERAL TOLERANCES (UNLESS SPECIFIED)		MM		SCALE	
ANGULAR TOL ± °				1:1	
4 PLACES	±				
3 PLACES	±				
2 PLACES	±				
1 PLACE	±				
0 PLACES	±				
DRAFT WHERE APPLICABLE MUST REMAIN WITHIN DIMENSIONS					

<b>molex</b>			
2.0 W-T-B CONN HOUSING 4-15P ONLY			
PRODUCT CUSTOMER DRAWING			
SERIES	MATERIAL NUMBER	CUSTOMER	
35507		GENERAL MARKET	
DOCUMENT NUMBER		DOC TYPE	DOC PART
SD-35507-001		PSD	001
SHEET NUMBER		1 OF 1	