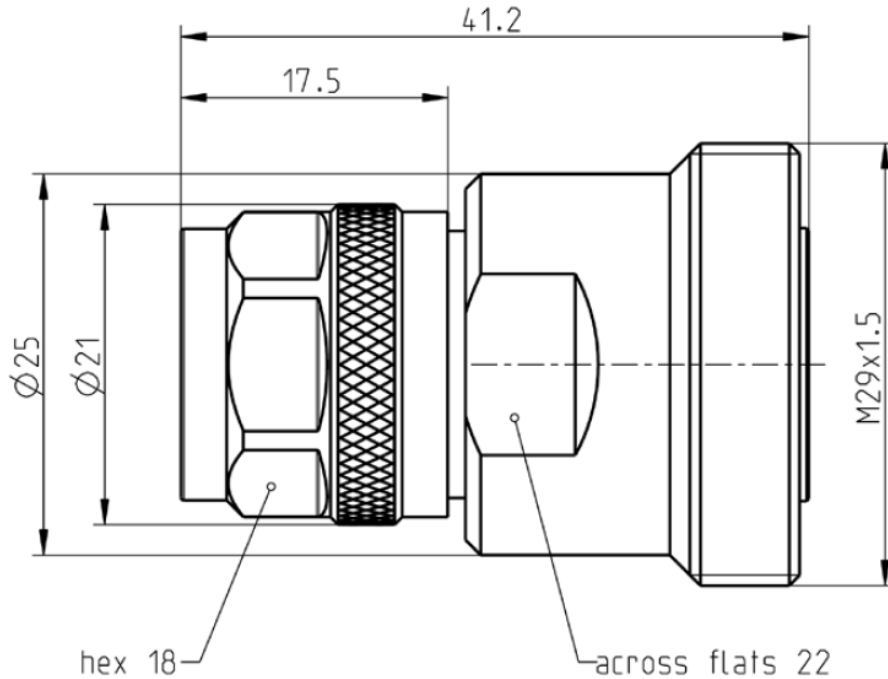


7-16/N

Adaptor  
7/16 Jack – N Plug

**53S160-KIMN1**



All dimensions are in mm; tolerances according to ISO 2768 m-H

**Interface**

According to	N side:	IEC 61169-16, MIL-PRF-39012, CECC 22210
	7/16 side:	IEC 61169-4, EN 122190, DIN 47223

**Material and plating**

**Connector parts**

Center contact  
Outer contact  
Dielectric  
Gasket

**Material**

Spring bronze  
Brass  
PTFE  
Silicone

**Plating**

Silver, 3-6 µm  
Flash white bronze over silver(e.g. Optargen®)

Dieses Dokument ist urheberrechtlich geschützt • This document is protected by copyright • Rosenberger Hochfrequenztechnik GmbH & Co. KG

RF\_35/05.10/6.0

7-16/N

Adaptor  
7/16 Jack – N Plug

**53S160-KIMN1**

**Electrical data**

Impedance 50 Ω  
 Frequency DC to 7.5 GHz  
 Return loss ≥ 30 dB @ DC to 3 GHz  
 ≥ 27 dB @ 3 GHz to 7 GHz  
 ≥ 23 dB @ 7 GHz to 7.5 GHz  
 Insertion loss ≤ 0.05 x √f [GHz] dB  
 Insulation resistance ≥ 10 GΩ  
 Center contact resistance ≤ 0.4 mΩ  
 Outer contact resistance ≤ 1.5 mΩ  
 Working voltage (at sea level) 500 V rms  
 Power handling (at 20 °C, sea level, VSWR 1.0) 1400 W @ 1 GHz  
 700 W @ 2 GHz  
 RF-leakage ≥ 128 dB @ DC to 1 GHz  
 Intermodulation (3<sup>rd</sup> order) ≤ -128 dBm @ 2 x 20 W

**Mechanical data**

	N side	7/16 side
Mating cycles	≥ 500	≥ 500
Coupling nut retention	≥ 450	N/A
Center contact captivation: axial	≥ 200 N	≥ 200 N
radial	≥ 2 Ncm	≥ 2 Ncm
Coupling torque (recommended)	0.7 to 1.1 Nm	25 to 30 Nm
Proof torque	≤ 1.7 Nm	≤ 35 Nm

**Environmental data**

Temperature range -55 °C to +155 °C  
 Thermal shock MIL-STD-202, Method 107, Condition B  
 Corrosion resistance MIL-STD-202, Method 101, Condition B  
 Vibration MIL-STD-202, Method 204, Condition B  
 Shock MIL-STD-202, Method 213, Condition I  
 Moisture resistance MIL-STD-202, Method 106  
 Degree of protection (mated pair) IEC 60529, IP68 2.5 bar 1 h  
 RoHS compliant

**Weight**

Weight 80.3 g/pce

While the information has been carefully compiled to the best of our knowledge, nothing is intended as representation or warranty on our part and no statement herein shall be construed as recommendation to infringe existing patents. In the effort to improve our products, we reserve the right to make changes judged to be necessary.

Draft	Date	Approved	Date	Rev.	Engineering change number	Name	Date
Benjamin Kaindl	15.03.12	J_Gramsamer	20.04.15	700	15-0397	J_Krautenb.	20.04.15

Rosenberger Hochfrequenztechnik GmbH & Co. KG P.O.Box 1260 D-84526 Tittmoning Germany <a href="http://www.rosenberger.de">www.rosenberger.de</a>	Tel. : +49 8684 18-0 Email : <a href="mailto:info@rosenberger.de">info@rosenberger.de</a>	Page 2 / 2
--	--	---------------

# Mouser Electronics

Authorized Distributor

Click to View Pricing, Inventory, Delivery & Lifecycle Information:

[Rosenberger:](#)

[53S160-KIMN1](#)