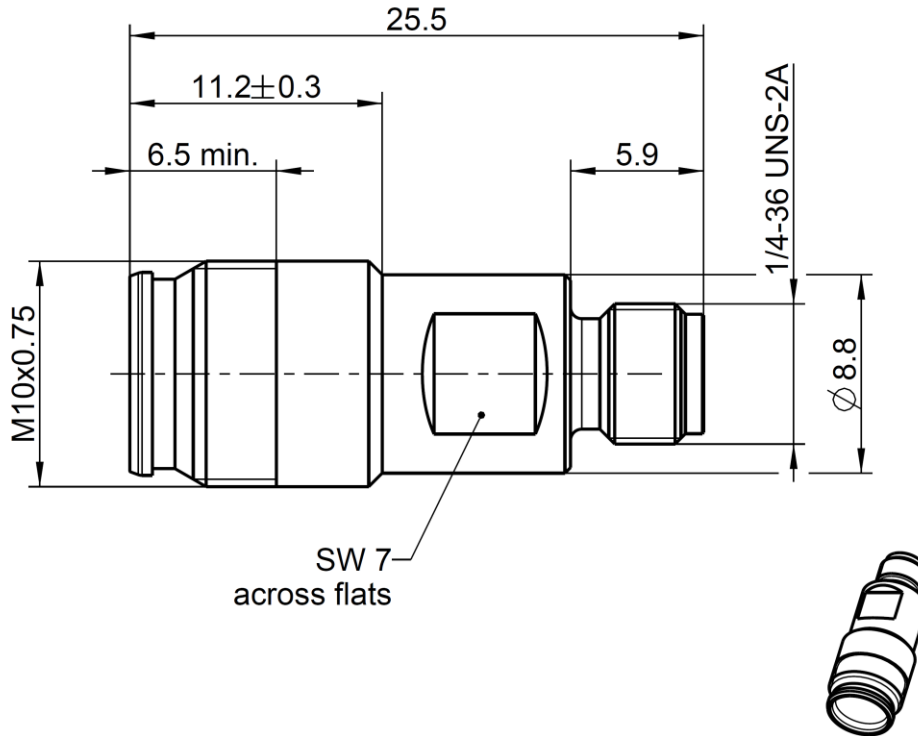


SMA

Adaptor
NEX 10 Jack - SMA Jack

32K189-K00N5



All dimensions are in mm; tolerances according to ISO 2768 m-H

Interface

According to NEX10 side: NEX10™
SMA side: IEC 60169-15, EN 122110, MIL-STD-348A, Fig. 310

Documents

N/A

Material and plating

Connector parts

Center contact
Outer contact
Body
Dielectric

Material

CuBe
Brass
Brass
PTFE

Plating

AuroDur®, gold plated
White bronze(e.g. Optalloy®)
White bronze(e.g. Optalloy®)

Dieses Dokument ist urheberrechtlich geschützt • This document is protected by copyright • Rosenberger Hochfrequenztechnik GmbH & Co. KG

RF_35/09.14/6.2

SMA

Adaptor
NEX 10 Jack - SMA Jack

32K189-K00N5

Electrical data

Impedance 50 Ω
 Frequency DC to 12 GHz
 Return loss ≥ 36 dB @ DC to 4 GHz
 ≥ 34 dB @ 4 GHz to 6 GHz
 ≥ 32 dB @ 6 GHz to 10 GHz
 Insertion loss ≤ 0.05 x √ f [GHz] dB
 Insulation resistance ≥ 5 GΩ
 Center contact resistance ≤ 2.0 mΩ, NEX10 side ≤ 3 mΩ, SMA side
 Outer contact resistance ≤ 1.0 mΩ, NEX10 side ≤ 2 mΩ, SMA side
 Working voltage 500 V rms
 RF-leakage ≥ 100 dB @ DC to 1 GHz
 Power handling (at 20 °C, sea level, VSWR 1.0) ≤ 200 W @ 2 GHz

Mechanical data

	NEX10 side	SMA side
Mating cycles	≥ 100	≥ 100
Center contact captivation axial	≥ 25 N	
Recommended torque	1.5 Nm	0.5 Nm

Environmental data

Temperature range -55 °C to +125 °C operating temperature
 Thermal shock IEC 61169-1 9.4.4
 Vibration IEC 61169-1 9.3.3 and IEC 60068-2-64
 Shock IEC 61169-1 9.3.14
 Degree of protection (mated pair) IEC 60529, IP68 24h / 1m
 RoHS compliant

Tooling

N/A

Suitable cables

N/A

Weight

Weight 7.3 g/pce

While the information has been carefully compiled to the best of our knowledge, nothing is intended as representation or warranty on our part and no statement herein shall be construed as recommendation to infringe existing patents. In the effort to improve our products, we reserve the right to make changes judged to be necessary.

For the installation of the electrotechnical equipment, particular electrotechnical expertise is required.



Dieses Dokument ist urheberrechtlich geschützt • This document is protected by copyright • Rosenberger Hochfrequenztechnik GmbH & Co. KG

RF_35/09.14/6.2

Draft	Date	Approved	Date	Rev.	Engineering change number	Name	Date
F. Fraunhofer	12.01.17	Chr. Janßen	09.11.20	b00	20-1927	S. Huber-Siegl	09.11.20

Rosenberger Hochfrequenztechnik GmbH & Co. KG P.O.Box 1260 D-84526 Tittmoning Germany www.rosenberger.de				Tel. : +49 8684 18-0 Email : info@rosenberger.de		Page 2 / 2	
--	--	--	--	--	--	---------------	--

Mouser Electronics

Authorized Distributor

Click to View Pricing, Inventory, Delivery & Lifecycle Information:

[Rosenberger:](#)

[32K189-K00N5](#)