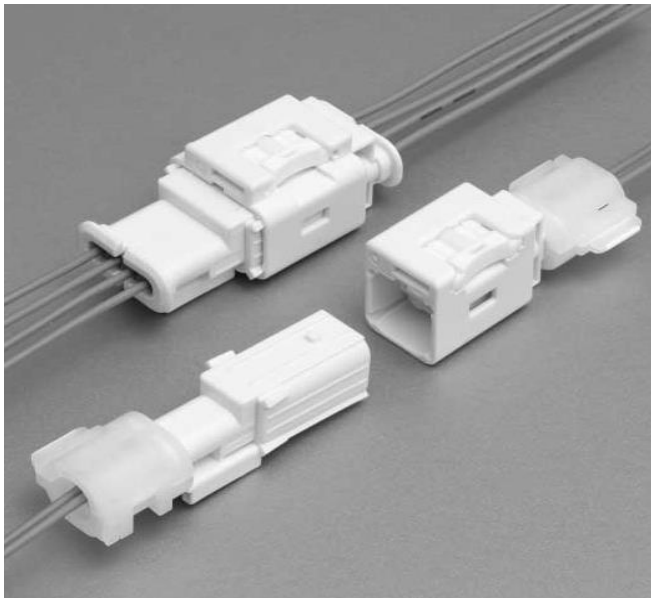
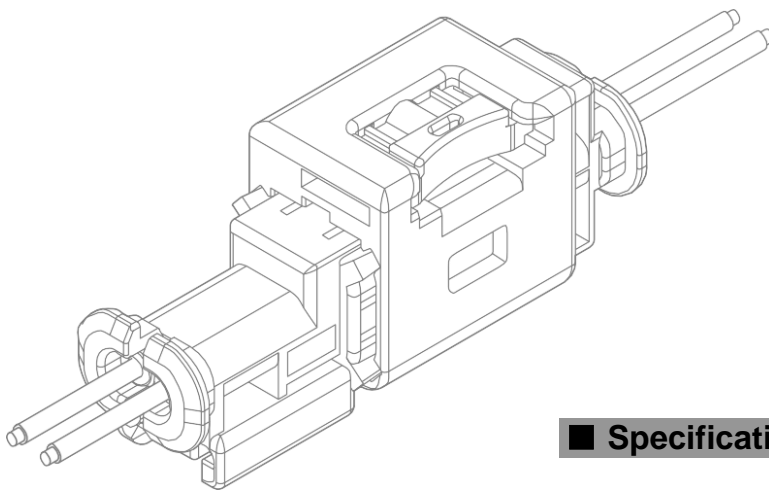


# SABCONNECTOR

Wire-to-wire/Sealed connector



0.64 mm single sealed wire to wire connector with rigid design and spring lock mechanism. Spring force prevents half-mating during mating and keeps constant rigid connection between male and female connector. This connector has short terminal to prevent accidental electrical discharge.



## ■ Features

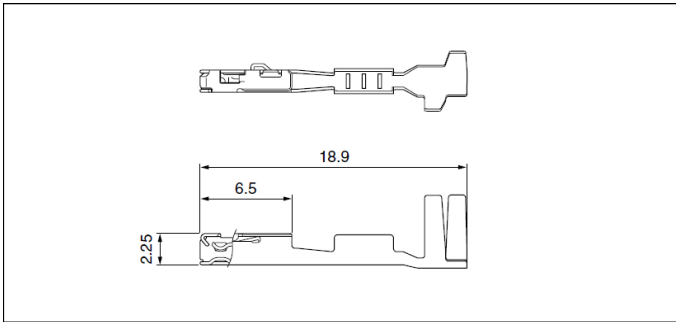
- **0.64 mm Single Sealed Connector**
- **Anti Vibration Mechanism**  
High reliability rigid connector enables to keep higher durability at shock and vibrated environment.
- **Go / No-Go Mating system**  
Compression spring prevents half-connecting.

## ■ Specifications

- Current rating : 5 A AC, DC max.
- Withstanding voltage: 1,000 VAC/minute
- Temperature range : -40°C to +80°C  
(including temperature rise in applying electrical current)
- Contact resistance : Initial value/ 10 mΩ max.  
After environmental tests/ 20 mΩ max.
- Insulation resistance : 100 MΩ min.
- Applicable wire : AVSS 0.5 mm<sup>2</sup>

\*Compliant with ELV/RoHS2.  
\*Contact JST for details.

## Female terminal



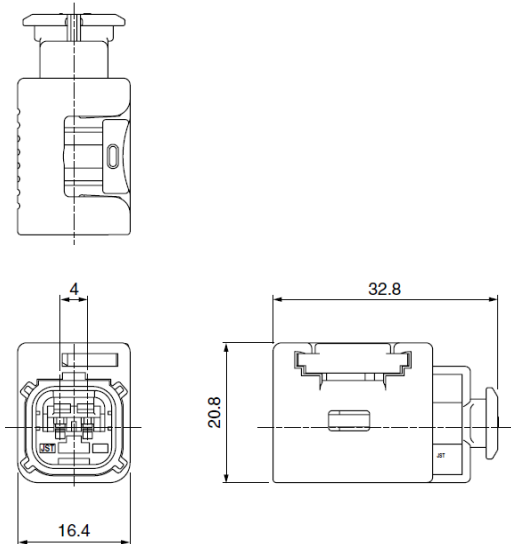
Model No.	Applicable wire range		Q'ty/reel
	Conductor (mm <sup>2</sup> )	Insulation O.D. (mm)	
<b>SAITS-A03GF-M064</b>	0.5	1.6 to 1.7	3,500

### Material and Finish

Copper alloy, nickel-undercoated, Contact area; gold-plated  
Barrel area; tin-plated

## Female connector

### ● 2 circuits

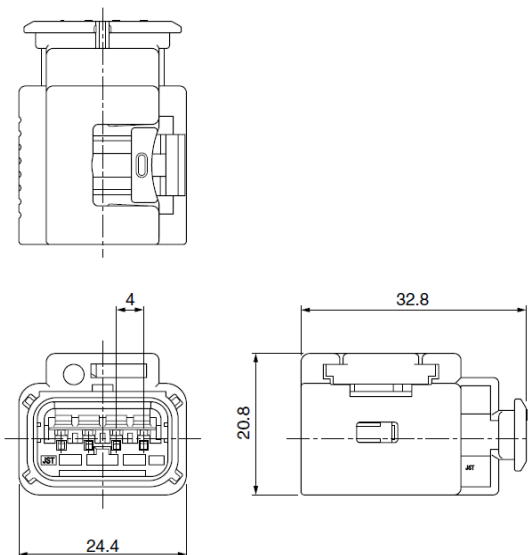


Circuits	Model No.	Housing Color	Q'ty/box
2	<b>SABRB-02-1A-Y</b>	Yellow	125
	<b>SABRB-02-1A2-M</b>	Green	
4	<b>SABRB-04-1A-Y</b>	Yellow	100
	<b>SABRB-04-1SB-Y</b>		
	<b>SABRB-04-4A-M</b>	Green	

### Material and Finish

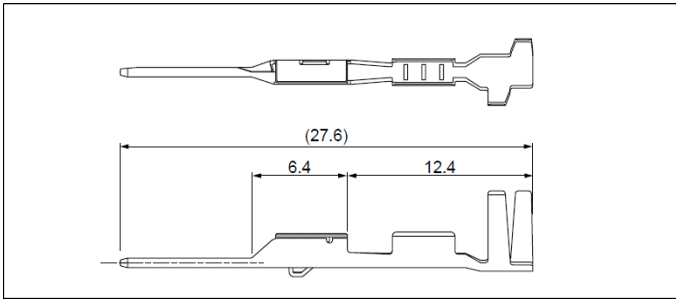
Housing: Glass-filled PBT  
Slider: Glass-filled PBT, Natural (White)  
Retainer: Glass-filled PBT, Natural (White)  
Spring: SUS  
Inner seal: Silicone

### ● 4 circuits



# SAB CONNECTOR

## Male terminal



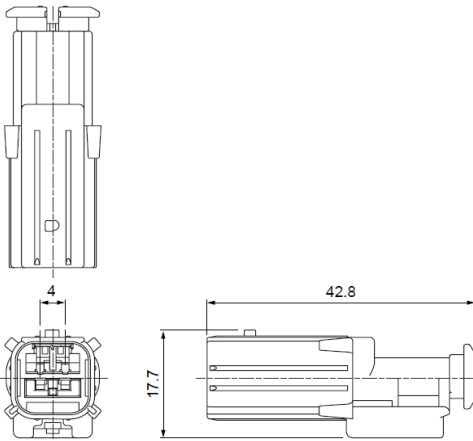
Model No.	Applicable wire range		Q'ty/reel
	Conductor (mm <sup>2</sup> )	Insulation O.D. (mm)	
<b>SAITWS-A03GF-064</b>	0.5	1.6 to 1.7	3,500

### Material and Finish

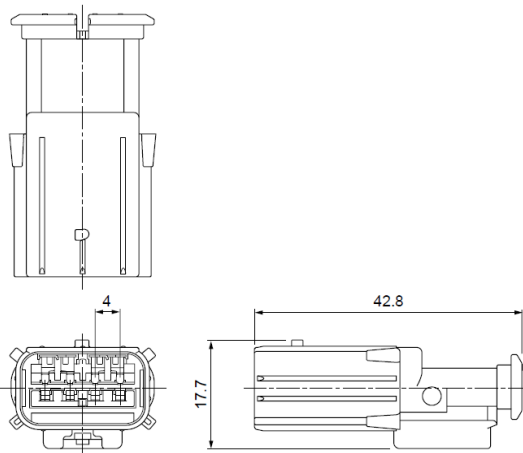
Brass, nickel-undercoated, Contact area; gold-plated  
Barrel area; tin-plated

## Male connector

### ● 2 circuits



### ● 4 circuits



Circuits	Model No.	Housing Color	Q'ty/box
2	<b>SABPB-02-1A-Y</b>	Yellow	125
	<b>SABPB-02-2B-Y</b>		
	<b>SABPB-02-1A2-M</b>	Green	
	<b>SABPB-02-3B2-M</b>		
4	<b>SABPB-04-1A-Y</b>	Yellow	100

### Material and Finish

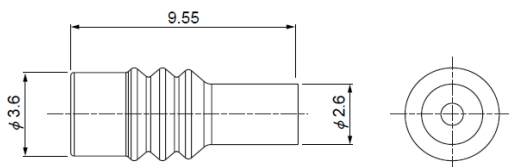
Housing: Glass-filled PBT, PA

Retainer: Glass-filled PBT, Natural (White)

Short terminal: Copper alloy, nickel-undercoated, Contact area; gold-plated

## Wire seal

### ● 2, 4 circuits



Model No.	Applicable wire range		Q'ty/box
	Conductor (mm <sup>2</sup> )	Insulation O.D. (mm)	
<b>A03WS-SAB-N</b>	0.5	1.6 to 1.7	10,000

### Material and Finish

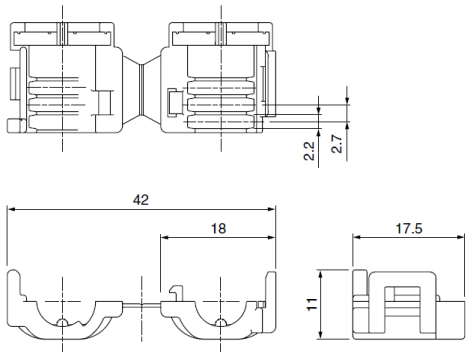
Silicone

**Cover**

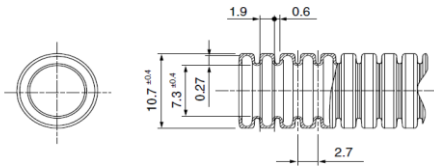
Model No.	Q'ty/box
Note) <b>SABC-02-1A-W</b>	200
Material and Finish	
PP, Natural (White)	

Note : Cover is applicable only for 2 circuits.

● **2 circuits**

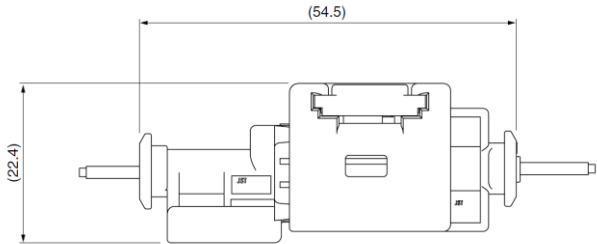


**Recommended corrugate tube layout**



**Assembly layout**

● **2, 4 circuits**



**Crimping machine, Applicator**

Strip terminal	Crimping machine	Crimp applicator MKS-L	
		Dies	Crimp applicator with dies
<b>SAITS-A03GF-M64</b>	AP-K2N	MK/SAITS-A03-064	APLMK SAITS-A03-064
<b>SAITWS-A03GF-064</b>		MK/SAITWS-A03-064	APLMK SAITWS-A03-064

Note: When crimping operation is conducted using an applicator and die set other than the above, JST cannot guarantee the performance of the terminal.