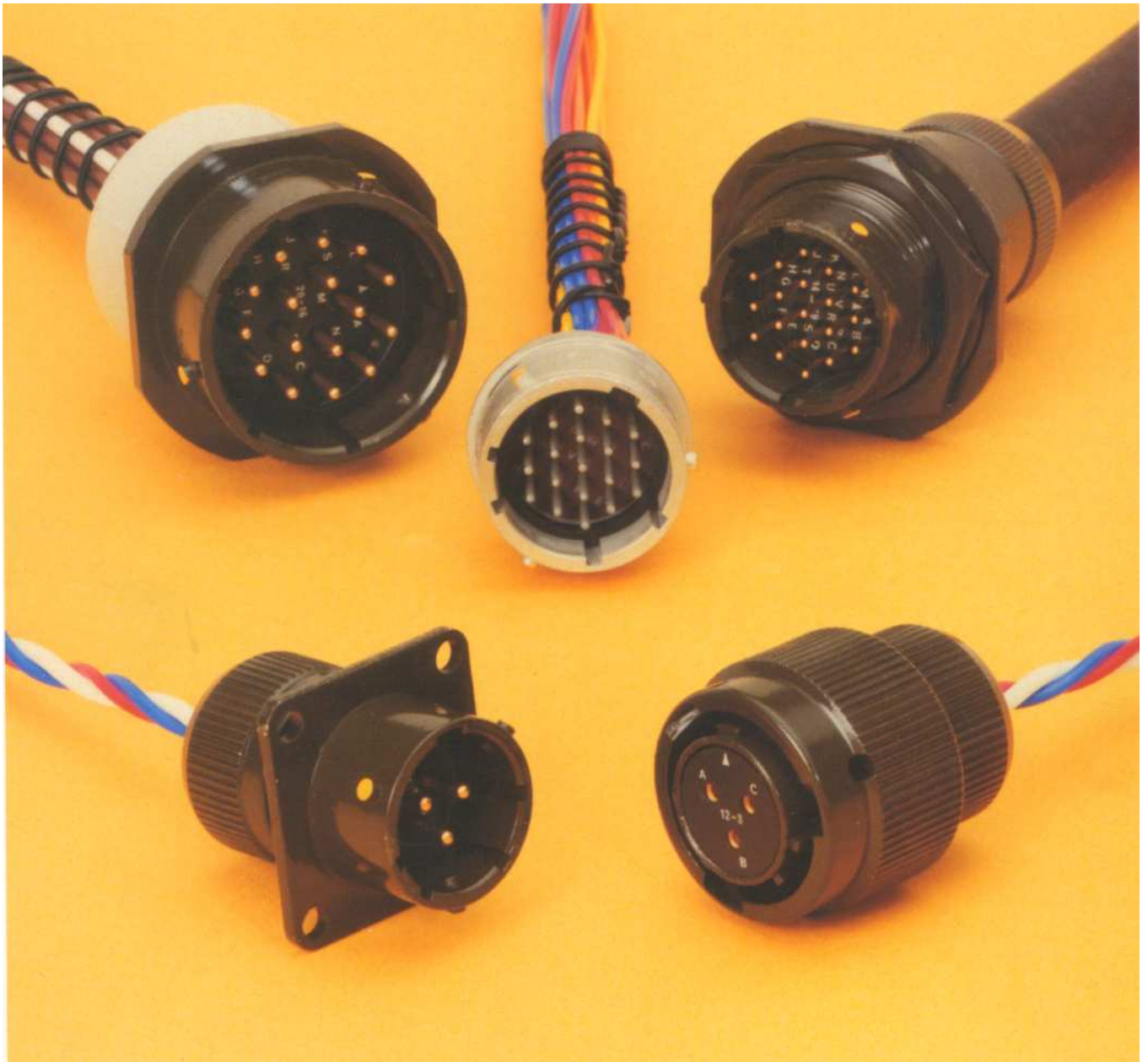


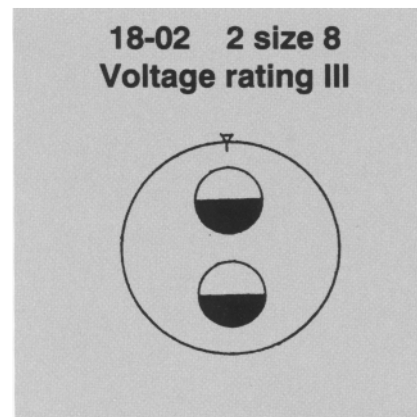
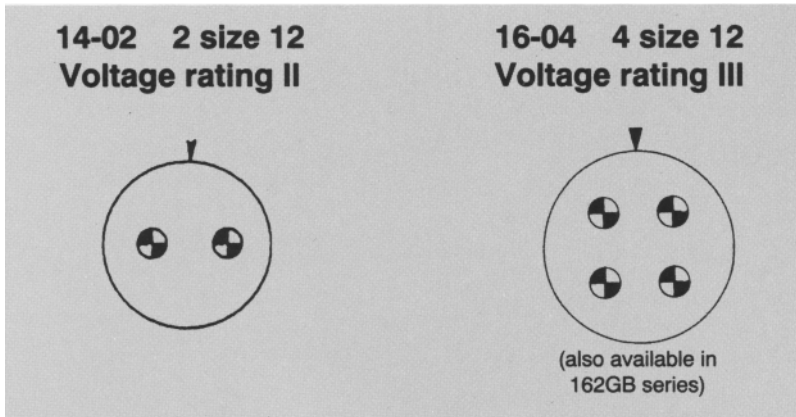
62GB- Series

Miniature Bayonet Lock Connectors
Designed to meet MIL-C-26482



Amphenol

62GB and Pattern 608 New Planforms



Current:

- (a) Maximum current per individual contact (in isolation)* at ambient temperature of 85°C
Contact size 12: 23 A
- (b) Maximum current per contact through all contacts simultaneously at an ambient temperature of 85°C
Contact size 12: 20 A

Current:

- (a) Maximum current per individual contact (in isolation)* at ambient temperature of 85°C
Contact size 8: 45 A
- (b) Maximum current per contact through all contacts simultaneously at an ambient temperature of 85°C
Contact size 8: 40 A

	Sea level 1013 mbar †			8500m (27,900ft) 320 mbar			21,340m (70,000ft) 44 mbar		
	I	II	III	I	II	III	I	II	III
Voltage rating Working voltages ** (nominal) d.c. or a.c. peak Voltage proof d.c. or a.c. peak	700	1200	1500	550	650	800	330	380	450
	2100	3000	3000	1100	1300	1300	660	760	750

* i.e. when only one contact per connector is electrically loaded.

† 1 mbar=10² N/m²=100 Pa

** Establishment of electrical safety factors is the responsibility of the user

CONTENTS	Page
Amphenol 62GB Solder Connectors	1
Schedule of Tests	2-3
Connector Styles Available	4-5
Insert Availability	6-7
Ordering 62GB Series Connectors	8-9
Box Mounting Receptacles - Table of Styles	10-11
Box Mounting Receptacles	12-16
Single Hole Fixing Receptacles - Table of Styles	17-19
Single Hole Fixing Receptacles	20-27
Cable Mounting Receptacles - Table of Styles	28
Cable Mounting Receptacles	29-31
Plugs - Table of Styles	32-33
Plugs	34-39
Accessories - Table of Styles	40-41
Accessories	42-48
Cable Accessories - Table of Styles	49-50
Cable Accessories	51-55
Insert Orientations	56
Key/Keyway Orientations	57
Assembly Instructions	58-61
Wire Stripping	62
Torque Details	62

Amphenol® 62GB solder connectors

This miniature bayonet lock connector series offers designers important features not found in any other range of connectors.

62GB Series connectors – compliant to the United States Military Specification MIL-C-26482E on certificate No. 1713. They are the first and only British connectors to have achieved this. A doubly strong position which Amphenol are well geared to handle. The manufacturing facilities of the Whitstable plant have been cited as exemplary in Europe. Certainly the layout is extensive and extremely efficient.

62GB Series connectors have been well established with Government authorities on an international scale and users can be found in Sweden, Denmark, Norway, Finland, Germany, Spain, Holland, India, Canada and Italy.

Derating

Connectors must be derated under the following operating conditions:

1. At elevated ambient temperatures, the current ratings are reduced so that total maximum hot spot temperature of 125°C is not exceeded.
2. At high altitudes, revised voltage ratings become effective as shown on page 7.
3. When connectors to different specifications are intermated, the combination must not be operated under conditions more severe than the less stringent clause of either specification.

Basic Construction

62GB Series can be supplied in brass or stainless steel.

The normal shell finish used, which has a high resistance to corrosion, is zinc cobalt olive drab. Other finishes may be supplied to special order, such as cadmium plate which is available by adding deviation (714) to the end of part number. For other finishes available, please see part number breakdown

Inserts are of polychloroprene rubber compounded to an Amphenol specification. Operating temperature range is -55°C to 125°C, and the connectors have gold-plated contacts designed for soldered connections. Configurations for size 20 contacts range between 2 contacts in the size 8 12.7mm (0.5in diameter) shell up to a maximum of 61 contacts in the size 2436.1 mm (1.5in diameter) shell. Intermediate sizes, and contact data for heavier current ratings are shown in the insert availability chart on page 6 and 7.

Hermetic connectors with glass sealed dielectric are manufactured with mild steel shells and nickel iron contacts plated tin over copper.

* Other finishes are available on request.

Protection Against Mis-Mating or Cross-Plugging

Positive shell-to-shell keying is provided with keys and keyways in a choice of either the normal (N) or any of the four preferred alternate positions: B, C, E and F. This prevents mismating between shells of different orientations and overcomes the difficulties associated with rotated inserts and a standard key-keyway orientation. In the latter system, damage to the inserts or contacts can result if excessive force is used to engage non-mating pairs.

Rotated inserts are available in positions w, x, y and z. These are to be requested via the part number configuration. See part number breakdown.

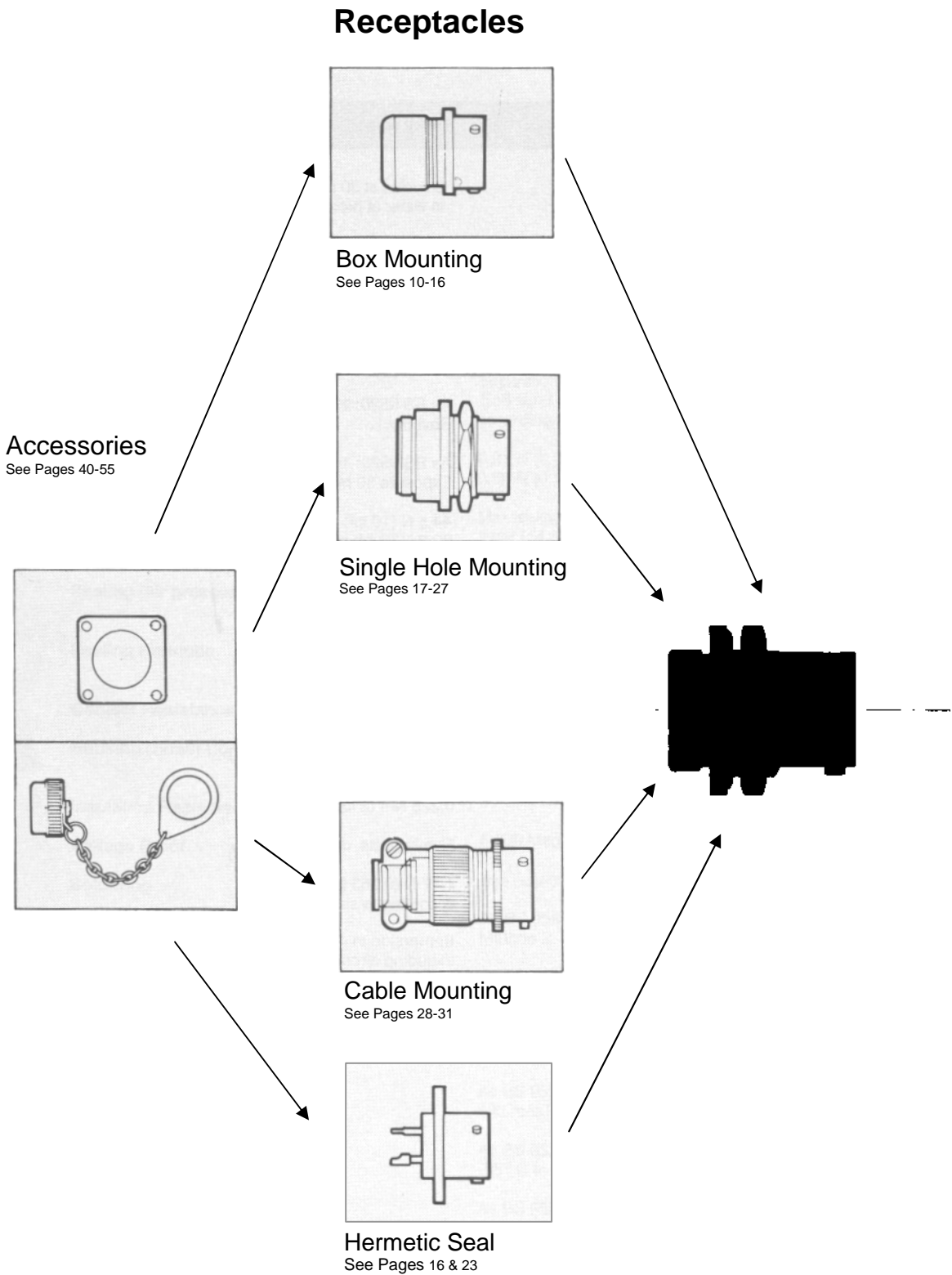
Schedule of Tests Required for Qualification Approval

Tests	Brief Description
Visual Examination	
Dimensions, outline mass(including contacts) Compatibility Gauging procedure	
Polarization	
Engaging and separating force, connector	Engagement max: 0,90 Nm (8.0 lbf.in.) to 4,97 Nm (44 lbf.in.) according to shell size. Separation min: 0,22 Nm (2.0 lbf.in.) to 1,58 Nm (14.0 lbf.in.) according to shell size.
Contact Holding Force	0,21 N (0.047 lbf) min.size 20 0,56 N (0.126 lbf)min. size 16
Sealing (air pressure)	Max leakage 28,53 uNm/s (1 cm3/h), 1 bar (14.5 p.s.i.) differential.
Sealing Hermetic	Hermetic receptacles have a max leak of 0.1 micron cubic foot per hour (1 x 10-6Cm3/s)
Contact Resistance	5 milliohms max.
Housing (Shell) Continuity	200 milliohms max. 5 milliohms max. grounding spring styles. Plating dependant.
Insulation Resistance	5,000 Megaohms at 500 - 50 V d.c.
Voltage Proof	See page 7. Duration 1 minute
Soldering	As BS 9520: 1983, Clause 1.2.6.7, Method 2. Bit temperature of +350°C
Bumping	As BS 9520: 1983, Clause 1.2.6.2. 4,000 -10 bumps / 390m / s2 (40 gn).
Sine Vibration	As BS 9520: 1983, Clause 1.2.6.3. Procedure A. 10 Hz to 5000 Hz, 0.75 mm / 10 gn.
Shock	As BS 9520: 1983, Clause 1.2.6.4. 981 m/s2 (100 g n).
Acceleration (Steady State)	As BS 9520: 1983, Clause 1.2.6.5. 490 m/s2 (50 gn).
Rapid Change of Temperature	As BS 9520: 1983, Clause 1.2.6.8. -55°C to +125°C one hour at each temperature = 1 cycle. 5 cycles to be completed
Climatic Sequence	As BS 9520: 1983, Clause 1.2.6.12. Severity 55/125/56.
Flammability	As BS 9520: 1983, Clause 1.2.6.9. Direct flame applied, duration 1 minute.
Damp Heat (Steady State)	As BS 9520: 1983, Clause 1.2.6.15. Severity 56 days.

Schedules of Tests Required for Qualification Approval

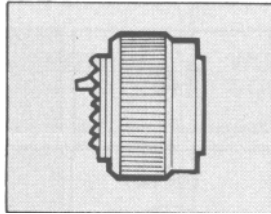
Tests	Brief Description
Immersion (at low air pressure)	3 cycles at 30 mins each cycle, total immersion in water at pressure 44 m bar.
Mechanical Endurance	500 operations minimum
High Temperature Endurance	Long term: 1,000 hrs. at 850 C ambient carrying the specified current. Short term: 250 hrs at 1250 C, no current.
Mould Growth	As BS 9520: 1983, Clause 1.2.6.15. 28 days duration.
Salt Mist (plating dependant)	As BS 9520: 1983, Clause 1.2.6.17. Severity 1. Four spray periods of 2 hours with a humidity storage period of seven days after each
Dust	As BS 9520: 1983, Clause 1.2.6.18. Exposure 30 minutes.
Robustness of Terminations	44,5 N (101bf) size 16 22,2 N (5 lbf) size 20
Contact Retention (in insert)	67,0 N (15 lbf) min. size 20 112,0 N (25 lbf) min. size 16 and above
Insert Retention (in shell)	517 KN1m2 (751bf/in 2 min.
Test Prod Damage	Moment: 0,056 Nm (0.5 lbf in) size 20 0,225 Nm (2 lbf in) size 16
Impact	Five impacts, drop height 1 m (3ft.3 in.).
Grounding Spring Holding Force Plugs with grounding springs only.	1,17 N (0.263 lbf) to 2,74 N (0.616 lbf) according to size.
Fluid Resistance	Immersion in 4 solvents and 9 fluids including aircraft fuels, lubricating oils and hydraulic fluids.
Compass Safe Distance	As BS 9520: 1983, Clause 1.2.5.12. 127 mm (5.0 in) min.

Connector Styles Available

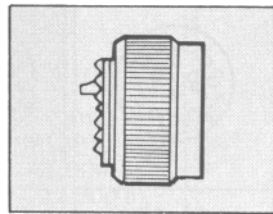


Connector Styles Available

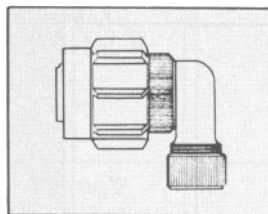
Plugs



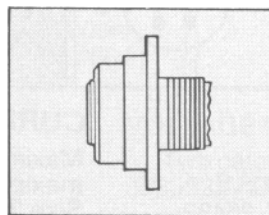
Straight Plug
See Pages 34-37



Grounded Plug
See Page 34



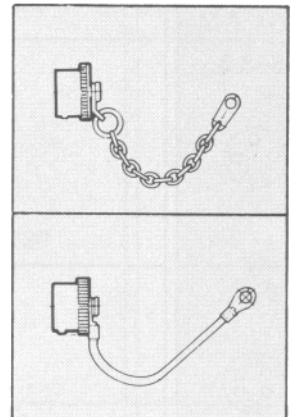
Audio Plug
See Page 38



Push on - Pull off
See Page 39

Accessories

See Pages 40-55



Insert Availability

8	10	12	14	16	18	20
8-2* 	10-6 	12-10 	14-12† 	16-23* 	18-32 	20-41
8-3* 	10-7 		14-15 	16-26 		
8-3 3 			14-19 			
8-4* 						
8-98 	10-2 	12-3 	14-5 	16-8 	18-11 	20-16

NOTES

* This insert arrangement is not included in B.S. spec., but is available and listed in MIL-C-26482.

† Due to the arrangement of contacts in the 14-12 insert arrangement it is classified, for current derating, in the shell size range 18-24.

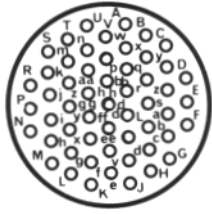
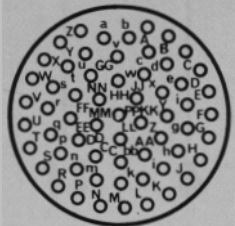
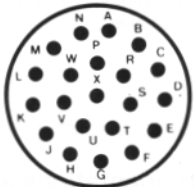
Lettering of inserts shown above corresponds to view of front (mating surface of pin inserts or rear face (cable accessory end) of socket inserts.

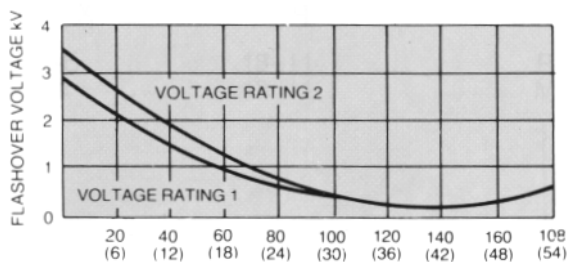
KEY ● No 16 size contacts
○ No 20 size contacts

CURRENT RATING

Maximum current per individual contact (in isolation) at a maximum ambient temperature of 85°C: Size 20 contact 7.5A Size 16 contact 13A The performance of 62GB Series connectors at all times exceeds the maximum continuous bunched rating of the appropriate size wire, or cable of equivalent temperature rating. This bunched rating is therefore the determining factor. In the case of mixed loadings, the greatest individual load shall be the bunched loading. In any combination of ambient temperature plus temperature rise due to current flow through the contacts, the maximum connector internal hot spot temperature of 125°C must not be exceeded. That is, when only one contact per connector is loaded.

Insert Availability

		VOLTAGE RATINGS			
22	24	ALTITUDE	D.C. WORKING VOLTAGE	A.C. WORKING VOLTAGE R.M.S.	PROOF VOLTAGE D.C. OR A.C. PEAK
<p>22-55</p> 	<p>24-61</p> 	<p>Rating 1 Sea level</p> <p>300 mb at 20°C 8,500m (27,800 ft)</p> <p>44 mb at 20°C 20,000m (66,000 ft)</p>	700	500	2100
<p>22-21</p>  <p>† Available to special order only</p>		<p>Rating 2 Sea level 300 mb at 20°C 8,500m (27,800 ft) 44 mb at 20°C 20,000m (66,000 ft)</p>	120	850	3000
			650	460	1300
			380	270	760



ALTITUDE-THOUSANDS OF FEET (METRES)
Relationship between flashover voltage and altitude for each voltage rating

VOLTAGE RATINGS

Two categories of voltage rating are specified in BS9522 F0017, F0038 and N0001.

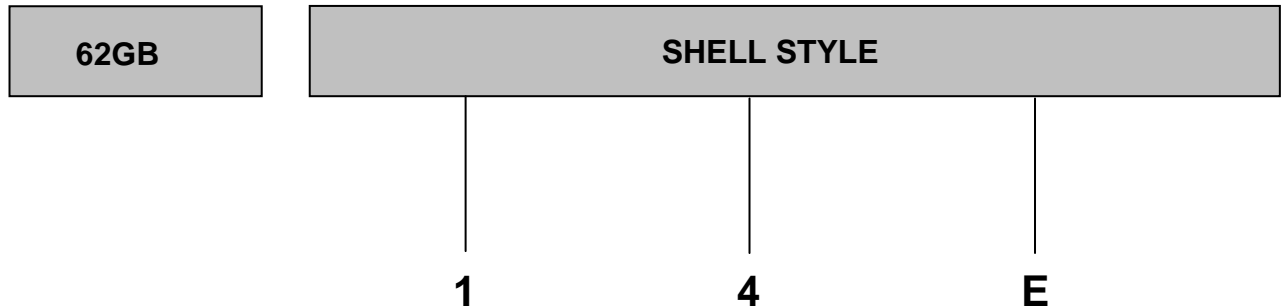
Rating 1 (700V d.c. working at sea-level) Applicable to the high contact density inserts shown in the upper section of the insert availability diagram above.

Rating 2 (1200V d.c. working at sea-level) Applicable to the inserts shown in the lower section of the insert availability diagram.

Altitude derating. Information on voltage derating for operation at altitudes above sea-level can be obtained from the flashover voltage altitude curves on the left.

Ordering 62GB Series Connectors

To obtain the specific connector required write down the connector number from the typical example below. Only inserts shown in the availability chart on p. 10&11 can be specified. All connectors are delivered with protective dust covers



Series designation

62ZN – Zinc Nickel finish
62 GB - Aluminium shell
 62 GB SS -Stainless steel shell*
 62 GB CU - Brass shell*
 *consult factory for availability
 62GB-XXH-Hermetic mild steel shell.

Specification key

1 - Styles originally specified in MIL-C-26482
 5 - Styles exclusive to BS9522 F0017

Shell style

0 - Receptacle wall mounting
 1 - Receptacle cable mounting
 2 - Receptacle box mounting
 3 - Receptacle, solder flange mounting
 4 - Receptacle, internally threaded with cable accessories as illustrated, for single hole mounting
 6 - Plug cable mounting
 7- Receptacle, plain shell, single hole mounting

Environmental code

A - Plain shell, exposed solder buckets. No grommet
 E - Insert seal and grommet seal with grommet nut (excluding 12E which has plain shell and no grommet or nut)
 F - As (E) but grommet nut has integral strain relief clamp
 H - Hermetic seal no cable accessories
 J - As (E) but with resilient gland seal and nut for unscreened jacketed cable. No grommet supplied. See pp. 26-27 for accessory to accept screened jacketed cable.
 P - Potting construction complete with potting mould
 T - Exposed solder buckets. Threaded shell for cable accessories

HOW TO ORDER FROM MS CONNECTOR NUMBERS

Connector numbers in the AMPHENOL and MS numbering systems. Only alternative insert orientations are specified in MIL-C-26482 which does not include alternative key/keyway orientations.

MS31	-	14	E	18 -11	P	X
62GB	-	14	E	18 -11	P	X

Ordering 62GB Series Connectors

INSERT ARRANGEMENT

18

11

P

B

(044)

Shell size (in sixteenths of an inch) 8, 10, 12, 14, 16
18,20,22,24

Number of contacts
2, 3, 4, 5, 6, 7, 8, 10, 11, 12,
16, 19, 21, 23, 26, 32, 41, 55,
61
* consult factory for availability

Contact Style
P - Pins
S - Sockets For hermetic connectors. P3 denotes pin contacts with solder bucket terminations. (Standard range). P2 denotes pin contacts with flattened and pierced terminations. (Special order).

Orientation
(Omit if normal orientation)
Keys/Keyways: A', B, C, D', E, F, (see p. 31)
Inserts: W,X,Y,Z.(see p56/57)
*Inactive for new designs

Deviations
(044) Rough grip heavy duty coupling ring.
(046) Box mounting plug.
(214) Fitted with extension back shell and strain relief clamp without grommet on F types only
(218) Lever coupling ring
(219) Contacts for flexible punted wiring (57A and 12E only)
(639) Bright cadmium plated shells
(345) Contacts for flexible punted wiring 12H,13H 17H only
(276) Hermetics with gold plated contacts.
(608) Black anodise.
(416) Electroless nickel
(714) Cadmium plate olive drab

62GB - 14E
C2098

18-11
18 11

P
M

B
B

O

Style

Insert Arrangement, see above

M - Pin contacts
F - Socket contacts

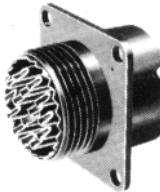


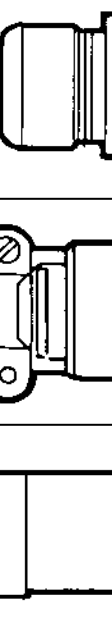



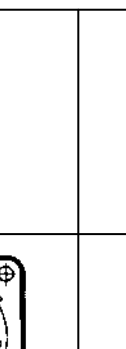

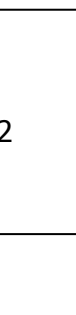
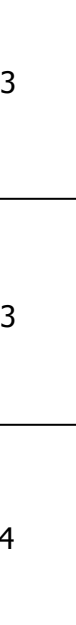
Alternative Key/Key way Orientation

Variant.
0 - Standard connector

Box Mounting Receptacles

Table of Styles

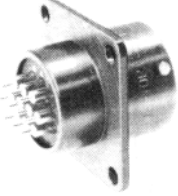
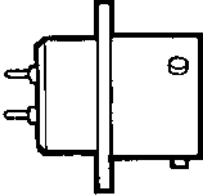
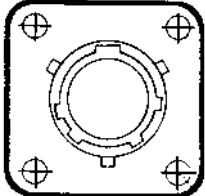
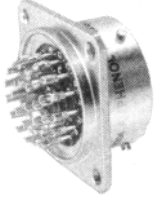
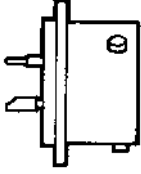
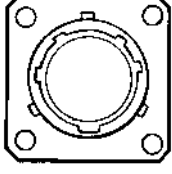
Page No.

62GB-50T			12
62GB-10A			12
62GB-10E			13
62GB-10F			13
62GB-10J			14
62GB-10P			14
62GB-12E			15

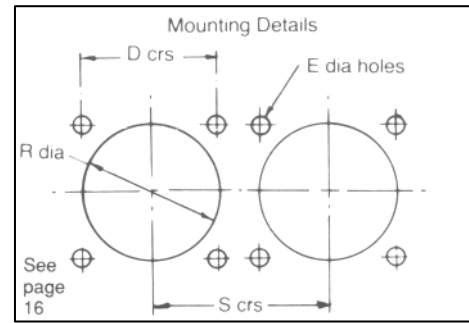
Box Mounting Receptacles

Table of Styles

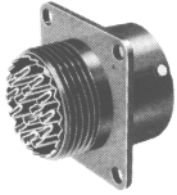
Page No.

<p>62GB-12E(219)</p>				<p>15</p>
<p>62GB-12H Hermetic Seal</p>				<p>16</p>

Box Mounting Receptacles

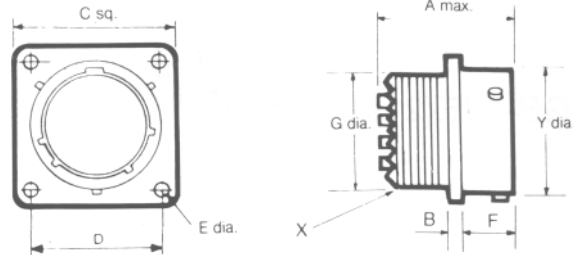


50T



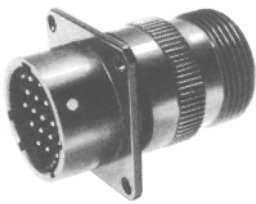
62GB-50T

4-hole flange mounting with threaded shell to accept standard cable accessories.



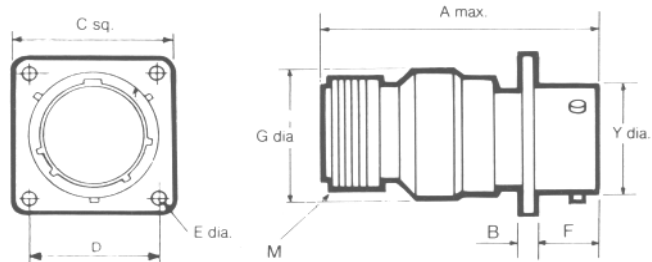
Shell Size	A max	B ± 0.005 (± 0.13)	C max sq.	D TP Sq.	E dia. ± 0.010 (± 0.254)	F ± 0.005 (± 0.13)	G dia max.	Y dia. max.	X Thread
08	0.978	0.062	0.817	0.594	0.120	0.445	0.434	0.473	7/16 - 28 UNEF
	24.84	1.58	20.75	15.09	3.05	11.3	11.02	12.02	
10	0.978	0.062	0.942	0.719	0.120	0.445	0.558	0.590	9/16 - 24 NEF
	24.84	1.58	23.93	18.26	3.05	11.3	14.17	14.99	
12	0.978	0.062	1.036	0.812	0.120	0.445	0.683	0.750	11/16 - 24 NEF
	24.84	1.58	26.32	20.63	3.05	11.3	17.35	19.05	
14	0.978	0.062	1.130	0.906	0.120	0.445	0.808	0.875	13/16 - 20 UNEF
	24.84	1.58	28.70	23.10	3.05	11.3	20.52	22.23	
16	0.978	0.062	1.223	0.969	0.120	0.445	0.933	1.000	15/16 - 20 UNEF
	24.84	1.58	31.07	24.61	3.05	11.3	23.7	25.4	
18	0.978	0.062	1.317	1.062	0.120	0.445	1.057	1.125	1.1/16 - 18 NEF
	24.84	1.58	33.45	26.58	3.05	11.3	26.85	28.58	
20	1.048	0.080	1.442	1.156	0.120	0.555	1.182	1.250	1.3/16 - 18 NEF
	26.62	2.03	36.63	29.36	3.05	14.10	30.02	31.75	
22	1.048	0.080	1.567	1.250	0.120	0.555	1.307	1.375	1.5/16 - 18 NEF
	26.62	2.03	39.80	31.75	3.05	14.10	33.20	34.93	
24	1.048	0.080	1.692	1.375	0.147	0.590	1.432	1.500	1.7/16 - 18 NEF
	26.62	2.03	42.98	34.93	3.73	14.99	36.37	38.1	

10A



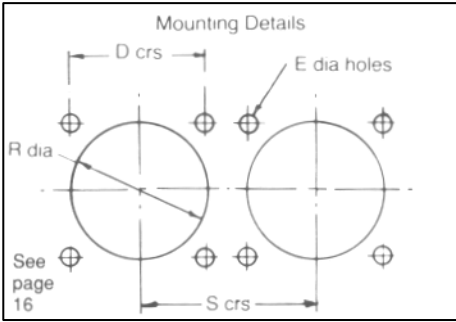
62GB-10A

4-Hole flange mounting with general duty back shell. No grommet supplied.



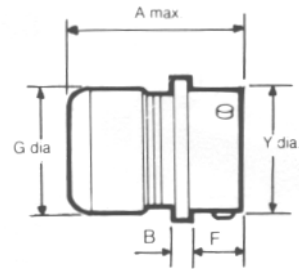
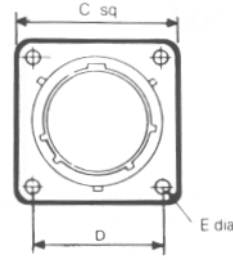
Shell Size	A max.	B ± 0.005 (± 0.13)	C Max. sq.	D TP sq.	E ± 0.010 (± 0.254)	F ± 0.005 (± 0.13)	G dia max.	Y dia. max.	M
08	1.624	0.062	0.817	0.594	0.120	0.445	0.561	0.473	1/2 - 28 UNEF
	41.25	1.58	20.75	15.09	3.05	11.3	14.25	12.02	
10	1.624	0.062	0.942	0.719	0.120	0.445	0.686	0.590	5/8 - 24 NEF
	41.25	1.58	23.93	18.26	3.05	11.3	17.43	14.99	
12	1.624	0.062	1.036	0.812	0.120	0.445	0.811	0.750	3/4 - 20 UNEF
	41.25	1.58	26.32	20.63	3.05	11.3	20.60	19.05	
14	1.624	0.062	1.130	0.906	0.120	0.445	0.936	0.875	7/8 - 20 UNEF
	41.25	1.58	28.70	23.10	3.05	11.3	23.78	22.23	
16	1.624	0.062	1.223	0.969	0.120	0.445	1.061	1.000	1 - 20 UNEF
	41.25	1.58	31.07	24.61	3.05	11.3	26.98	25.4	
18	1.624	0.062	1.317	1.062	0.120	0.445	1.186	1.125	1.3/16 - 18 NEF
	41.25	1.58	33.45	26.58	3.05	11.3	30.12	28.58	
20	1.687	0.080	1.442	1.156	0.120	0.555	1.311	1.250	1.3/16 - 18 NEF
	42.85	2.03	36.63	29.36	3.05	14.10	33.30	31.75	
22	1.687	0.080	1.567	1.250	0.120	0.555	1.436	1.375	1.7/16 - 18 NEF
	42.85	2.03	39.80	31.75	3.05	14.10	36.47	34.93	
24	1.730	0.080	1.692	1.375	0.147	0.590	1.561	1.500	1.7/16 - 18 NEF
	43.94	2.03	42.98	34.93	3.73	14.99	39.65	38.1	

Box Mounting Receptacles



62GB-10E
MIL-C-26482 MS3110E

4-hole flange mounting with grommet and grommet nut

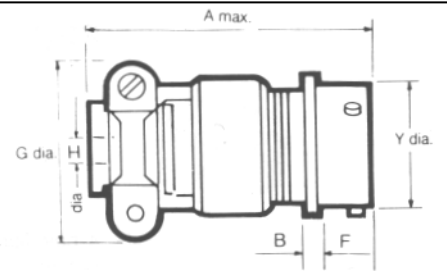
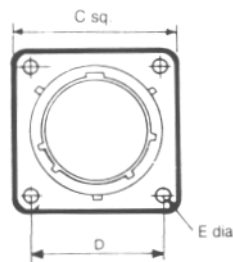


Shell Size	A max	B ± 0.005 (± 0.13)	C max sq.	D TP sq.	E ± 0.010 (± 0.254)	F ± 0.005 (± 0.13)	G dia max	V dia. max
08	1.281	0.062	0.817	0.594	0.120	0.445	0.561	0.473
	32.54	1.58	20.75	15.09	3.05	11.3	14.25	12.02
10	1.281	0.062	0.942	0.719	0.120	0.445	0.686	0.590
	32.54	1.58	23.93	18.26	3.05	11.3	17.43	14.99
12	1.281	0.062	1.036	0.812	0.120	0.445	0.811	0.750
	32.54	1.58	26.32	20.63	3.05	11.3	20.60	19.05
14	1.281	0.062	1.130	0.906	0.120	0.445	0.936	0.875
	32.54	1.58	28.70	23.10	3.05	11.3	23.78	22.23
16	1.281	0.062	1.223	0.969	0.120	0.445	1.061	1.000
	32.54	1.58	31.07	24.61	3.05	11.3	26.98	25.4
18	1.281	0.062	1.317	1.062	0.120	0.445	1.186	1.125
	32.54	1.58	33.45	26.58	3.05	11.3	30.12	28.58
20	1.383	0.080	1.442	1.156	0.120	0.555	1.311	1.250
	35.13	2.03	36.63	29.36	3.05	14.10	33.30	31.75
22	1.383	0.080	1.567	1.250	0.120	0.555	1.436	1.375
	35.13	2.03	39.80	31.75	3.05	14.10	36.47	34.93
24	1.383	0.080	1.692	1.375	0.147	0.590	1.561	1.500
	35.13	2.03	42.98	34.93	3.74	14.99	39.65	38.1



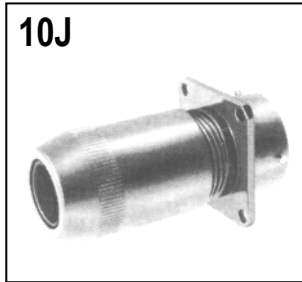
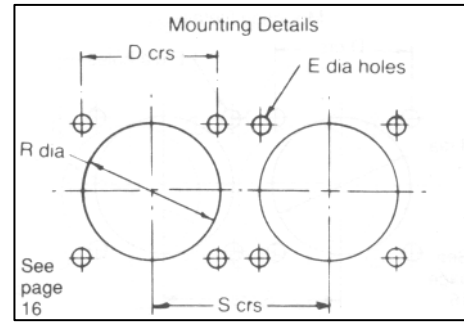
62GB-10F
MIL-C-26482 MS31 10F

4-hole flange mounting with grommet and grommet nut fitted with integral strain relief clamp



Shell Size	A max.	B ± 0.005 (± 0.13)	C max sq.	D TP Sq.	E ± 0.010 (± 0.254)	F ± 0.005 (± 0.13)	G dia max.	H ± 0.005 (± 0.13)	Y dia. max.
08	1.762	0.062	0.817	0.594	0.120	0.445	0.828	0.156	0.473
	44.76	1.58	20.75	15.09	3.05	11.3	21.03	3.96	12.01
10	1.762	0.062	0.942	0.719	0.120	0.445	0.891	0.188	0.590
	44.76	1.58	23.92	18.26	3.05	11.3	22.63	4.78	14.99
12	1.762	0.062	1.036	0.812	0.120	0.445	1.016	0.312	0.750
	44.76	1.58	26.31	20.63	3.05	11.3	25.81	7.93	19.05
14	1.736	0.062	1.130	0.906	0.120	0.445	1.141	0.375	0.875
	44.10	1.58	28.70	23.10	3.05	11.3	28.98	9.58	22.23
16	1.876	0.062	1.223	0.969	0.120	0.445	1.203	0.500	1.000
	47.65	1.57	31.07	24.61	3.05	11.3	30.56	12.7	25.4
18	1.876	0.062	1.317	1.062	0.120	0.445	1.426	0.625	1.125
	47.65	1.58	33.45	26.58	3.05	11.3	36.22	15.87	28.58
20	2.118	0.080	1.442	1.156	0.120	0.555	1.426	0.625	1.250
	53.80	2.03	36.63	29.36	3.05	14.10	36.22	15.88	31.75
22	2.118	0.080	1.567	1.250	0.120	0.555	1.567	0.750	1.375
	53.80	2.03	39.80	31.75	3.05	14.10	39.80	19.05	34.93
24	2.250	0.080	1.692	1.375	1.147	0.590	1.735	0.800	1.500
	57.15	2.03	42.98	34.93	3.74	14.99	44.07	20.32	38.10

Box Mounting Receptacles

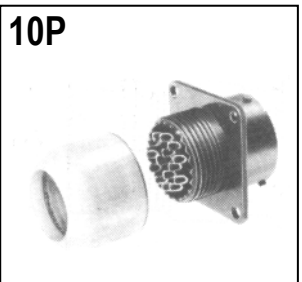


10J

62GB-10J

4-hole flange mounting with clamp for unscreened jacketed cable. No grommet supplied

Shell Size	A max	B ± 0.005 (± 0.13)	c max.sq	D TP sq	E ± 0.010 (± 0.254)	F ± 0.005 (± 0.13)	G dia. max.	Y dia max	Z Cable Entry	
									min closed	max free
08	1.846	0.062	0.817	0.594	0.120	0.445	0.561	0.473	0.168	0.230
	46.89	1.58	20.75	15.09	3.05	11.3	14.25	12.02	4.28	5.84
10	1.846	0.062	0.942	0.719	0.120	0.445	0.686	0.590	0.205	0.312
	46.89	1.58	23.93	18.26	3.05	11.3	17.43	14.99	5.21	7.93
12	1.947	0.062	1.036	0.812	0.120	0.445	0.811	0.750	0.338	0.442
	49.45	1.58	26.32	20.63	3.05	11.3	20.60	19.05	8.59	11.23
14	2.147	0.062	1.130	0.906	0.120	0.445	0.936	0.875	0.416	0.539
	54.54	1.58	28.70	23.10	3.05	11.3	23.78	22.23	10.57	13.69
16	2.347	0.062	1.223	0.969	0.120	0.445	1.061	1.000	0.550	0.616
	59.61	1.575	31.07	24.61	3.05	11.3	26.96	25.4	13.97	15.65
18	2.547	0.062	1.317	1.062	0.120	0.445	1.186	1.125	0.600	0.672
	64.70	1.575	33.45	26.58	3.05	11.3	30.12	28.58	15.24	17.07
20	2.831	0.080	1.442	1.156	0.120	0.555	1.311	1.250	0.635	0.747
	71.91	2.03	36.63	29.36	3.05	14.10	33.30	31.75	16.13	18.98
22	3.031	0.080	1.567	1.250	0.120	0.555	1.436	1.375	0.670	0.846
	76.99	2.03	39.80	31.75	3.05	14.10	36.47	34.93	17.02	21.49
24	3.074	0.080	1.692	1.375	0.147	0.590	1.561	1.500	0.740	0.894
	78.08	2.03	42.98	34.93	3.73	14.99	39.65	38.1	18.80	22.71



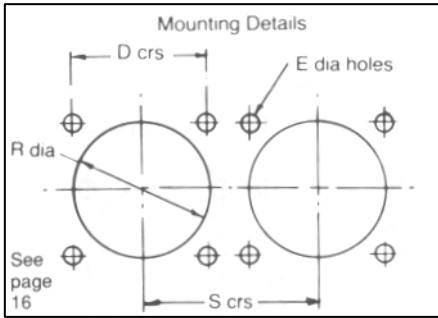
10P

62GB-10P

4-hole flange mounting for potting

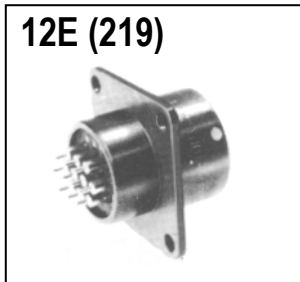
Shell Size	A max	B ± 0.005 (± 0.13)	c max.sq.	D TP sq	E ± 0.010 (± 0.254)	F ± 0.005 (± 0.13)	G dia. max.	Y dia. max	Z dia.
									min
08	1.453	0.062	0.817	0.594	0.120	0.445	0.572	0.473	0.260
	36.91	1.575	20.75	15.09	3.05	11.3	14.53	12.02	6.60
10	1.453	0.062	0.942	0.179	0.120	0.445	0.666	0.590	0.463
	36.91	1.58	23.93	18.26	3.05	11.3	16.92	14.99	11.76
12	1.453	0.062	1.036	0.812	0.120	0.445	0.822	0.750	0.577
	36.91	1.58	26.32	20.63	3.05	11.3	20.88	19.05	14.15
14	1.453	0.062	1.130	0.906	0.120	0.445	0.907	0.875	0.590
	36.91	1.58	28.70	23.10	3.05	11.3	23.04	22.23	14.99
16	1.453	0.062	1.223	0.969	0.120	0.445	1.040	1.000	0.713
	36.91	1.58	31.07	24.61	3.05	11.3	26.42	25.40	18.11
18	1.453	0.062	1.317	1.062	0.120	0.445	1.165	1.125	0.835
	36.91	1.58	33.45	26.58	3.05	11.3	29.60	28.58	22.21
20	1.672	0.080	1.442	1.156	0.120	0.555	1.285	1.250	1.015
	42.47	2.03	36.63	29.36	3.05	14.10	32.64	31.75	25.78
22	1.672	0.080	1.567	1.250	0.120	0.555	1.400	1.375	1.015
	42.47	2.03	39.80	31.75	3.05	14.10	35.56	34.93	25.78
24	1.734	0.080	1.692	1.375	0.147	0.590	1.540	1.500	1.265
	44.05	2.03	42.98	34.93	3.74	14.99	39.12	38.10	32.13

Box Mounting Receptacles



62GB-12E
MIL-C-26482 MS3112E

Shell Size	A max	8 ± 0.005 (± 0.13)	C max sq.	D TP sq.	E ± 0.010 (± 0.254)	F ± 0.005 (± 0.13)	G dia. max.	L	V dia. max.
08	0.978 24.84	0.062 1.58	0.817 20.75	0.594 15.09	0.120 3.05	0.445 11.3	0.434 11.02	0.800 20.32	0.473 12.02
10	0.978 24.84	0.062 1.58	0.942 23.93	0.719 18.26	0.120 3.05	0.445 11.3	0.558 14.17	0.800 20.32	0.590 14.99
12	0.978 24.84	0.062 1.58	1.036 26.32	0.812 20.63	0.120 3.05	0.445 11.3	0.683 17.35	0.800 20.32	0.750 19.05
14	0.978 24.84	0.062 1.58	1.130 28.70	0.906 23.10	0.120 3.05	0.445 11.3	0.808 20.52	0.800 20.32	0.875 22.23
16	0.978 24.84	0.062 1.58	1.223 31.07	0.969 24.61	0.120 3.05	0.445 11.3	0.933 23.70	0.800 20.32	1.000 25.4
18	0.978 24.84	0.062 1.58	1.317 33.45	1.062 26.58	0.120 3.05	0.445 11.3	1.057 26.85	0.800 20.32	1.125 28.58
20	1.048 26.62	0.080 2.03	1.442 36.63	1.156 29.36	0.120 3.05	0.555 14.10	1.182 30.02	0.875 22.23	1.250 31.75
22	1.048 26.62	0.080 2.03	1.567 39.80	1.250 31.75	0.120 3.05	0.555 14.10	1.307 33.20	0.875 22.23	1.375 34.93
24	1.048 26.62	0.080 2.03	1.692 42.98	1.375 34.93	0.147 3.74	0.590 14.99	1.432 36.37	0.875 22.23	1.500 38.1

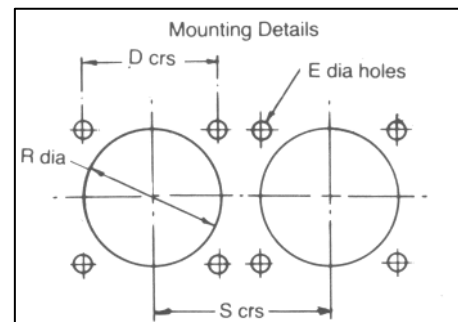


62GB-12E (219)

4-hole flange mounting with plain shell with film wire terminations

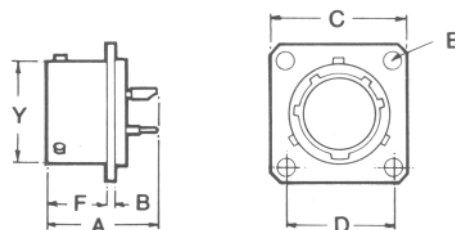
Shell Size	A max	B ± 0.005 (± 0.13)	C max sq.	D TP sq.	E dia 0.010	F ± 0.005 (± 0.13)	G dia. Max	J ± 0.020 (± 0.51)	K min max.	L max min	Y dia max.	Z	
08	0.982 24.95	0.062 1.58	0.817 20.75	0.594 15.09	0.120 3.05	0.445 11.3	0.434 11.02	0.089 2.26	0.030 0.76	0.198 5.03	0.166 4.22	0.473 12.02	0.800 20.32
10	0.982 24.95	0.062 1.58	0.942 23.93	0.719 18.26	0.120 3.05	0.445 11.3	0.558 14.17	0.089 2.26	0.030 0.76	0.198 5.03	0.166 4.22	0.590 14.99	0.800 20.32
12	0.982 24.95	0.062 1.58	1.036 26.32	0.812 20.63	0.120 3.05	0.445 11.3	0.683 17.35	0.089 2.26	0.030 0.76	0.198 5.03	0.166 4.22	0.750 19.05	0.800 20.32
14	0.982 24.95	0.062 1.58	1.130 28.70	0.906 23.10	0.120 3.05	0.445 11.3	0.808 20.52	0.089 2.26	0.030 0.76	0.198 5.03	0.166 4.22	0.875 22.23	0.800 20.32
16	0.982 24.95	0.062 1.58	1.223 31.07	0.969 24.61	0.120 3.05	0.445 11.3	0.933 23.70	0.089 2.26	0.030 0.76	0.198 5.03	0.166 4.22	1.000 25.4	0.800 20.32
18	0.982 24.95	0.062 1.58	1.317 33.45	1.062 26.58	0.120 3.05	0.445 11.3	1.057 26.85	0.089 2.26	0.030 0.76	0.198 5.03	0.166 4.22	1.125 28.58	0.800 20.32
20	1.057 26.85	0.080 2.03	1.442 36.63	1.156 29.36	0.120 3.05	0.555 14.10	1.182 30.02	0.076 1.93	0.030 0.76	0.185 4.70	0.153 3.89	1.250 31.75	0.875 22.23
22	1.057 26.85	0.080 2.03	1.567 39.80	1.250 31.75	0.120 3.05	0.555 14.10	1.307 33.20	0.076 1.93	0.030 0.76	0.185 4.70	0.153 3.89	1.375 34.93	0.875 22.23
24	1.057 26.85	0.080 2.03	1.692 42.98	1.375 34.93	0.147 3.74	0.590 14.99	1.432 36.37	0.076 1.93	0.030 0.76	0.185 4.70	0.153 3.89	1.500 38.1	0.875 22.23

Box Mounting Receptacles Hermetic Seal



62GB-12H

4-hole square mounting with exposed solder buckets or flattened and pierced pins.

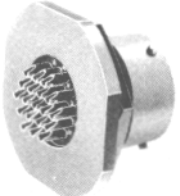
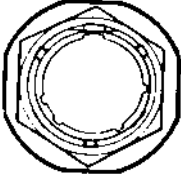
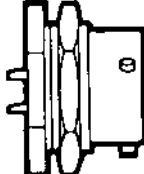
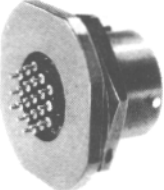
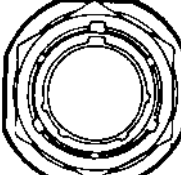
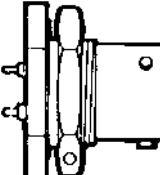

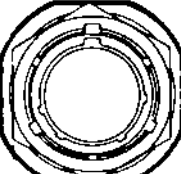
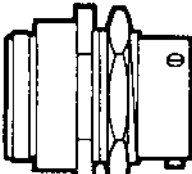
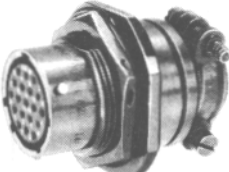
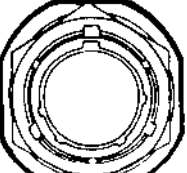
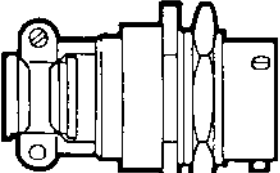
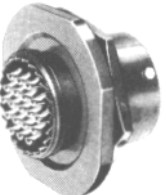

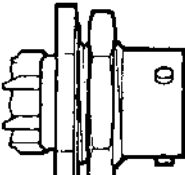
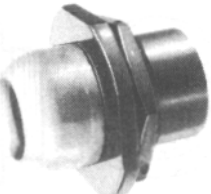
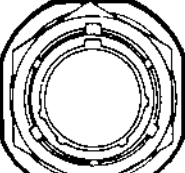
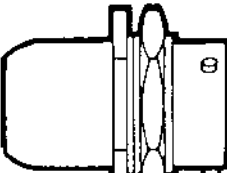

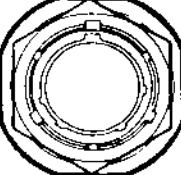
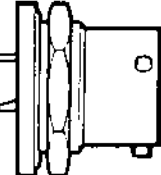


Shell Size	A max	B ± 0.005 (± 0.13)	C max sq.	D	E 0.008 (± 0.203) (±.051) .002	F ± 0.005 (± 0.13)	R ±0.005 (±0.13)	S	Y
08	0.828	0.062	0.812	0.594	0.120	0.443	0.568	1.250	0.473
	21.03	1.57	20.61	15.08	3.05	11.25	14.42	31.73	12.01
10	0.828	0.062	0.937	0.719	0.120	0.443	0.695	1.359	14.99
	21.03	1.57	23.79	18.29	3.05	11.25	17.53	34.52	14.99
12	0.828	0.062	1.031	0.812	0.120	0.443	0.864	1.531	0.750
	21.03	1.57	26.17	20.57	3.05	11.25	21.84	38.89	19.05
14	0.828	0.062	1.125	0.906	0.120	0.443	0.989	1.656	0.875
	21.03	1.57	28.57	23.11	3.05	11.25	25.15	42.06	22.23
16	0.828	0.062	1.218	0.969	0.120	0.443	1.113	1.781	1.000
	21.03	1.57	30.93	24.64	3.05	11.25	28.19	45.24	25.40
18	0.828	0.062	1.312	1.062	0.120	0.443	1.238	1.891	1.125
	21.03	1.57	33.32	26.92	3.05	11.25	31.49	48.03	28.58
20	0.890	0.093	1.437	1.156	0.120	0.561	1.363	2.031	1.250
	22.60	2.36	36.49	29.46	3.05	14.24	34.54	51.59	30.75
22	0.890	0.093	1.562	1.250	1.120	0.561	1.488	2.156	1.375
	22.60	2.36	39.67	31.75	3.05	14.24	37.85	54.76	34.93
24	0.890	0.093	1.687	1.375	0.147	0.593	1.615	2.277	1.500
	22.60	2.36	42.84	35.05	3.81	15.06	41.15	57.84	38.10

Single Hole Fixing Receptacles

Table of Styles

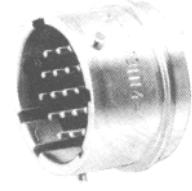
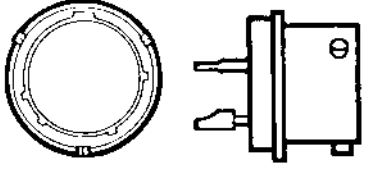
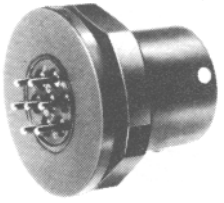
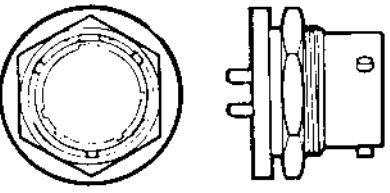
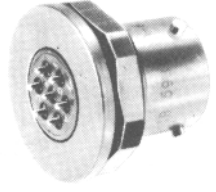
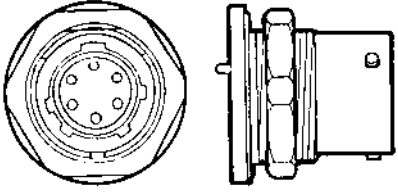
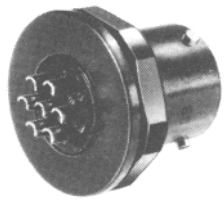
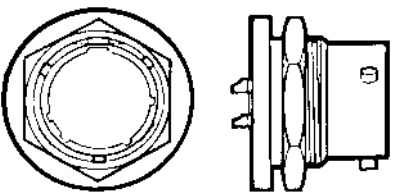
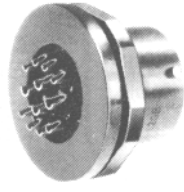
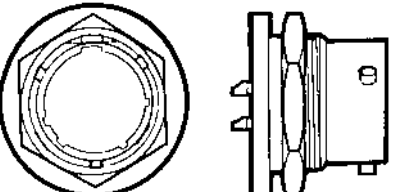
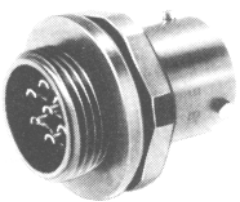
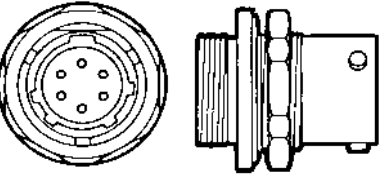
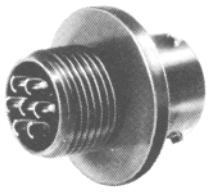
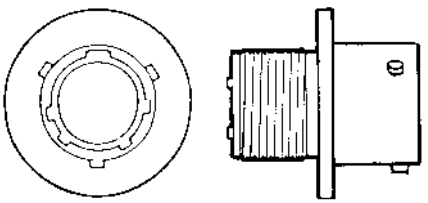
Page No.

62GB-57A		 	20
62GB-57A (219)		 	20
62GB-14E		 	21
62GB-14F		 	21
62GB-57T		 	22
62GB-17P		 	22
62GB-17H Hermetic Seal		 	23

Single Hole Fixing Receptacles

Table of Styles

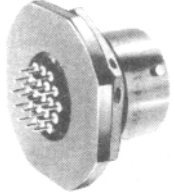
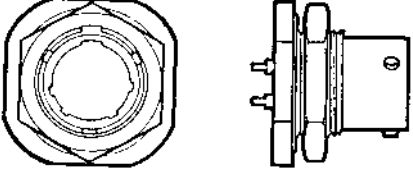
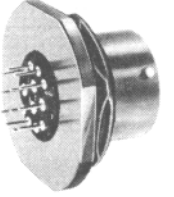
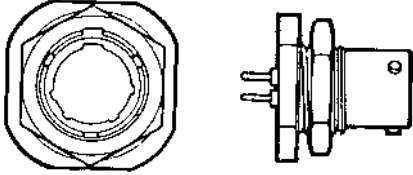
Page No.

<p>62GB-1 3H Hermetic Seal</p>			<p>23</p>
<p>62GB-5005-10</p>			<p>24</p>
<p>62GB-5036-10</p>			<p>24</p>
<p>62GB-5016-10</p>			<p>25</p>
<p>62GB-5024</p>			<p>25</p>
<p>62GB-5052</p>			<p>26</p>
<p>62GB-5030</p>			<p>26</p>

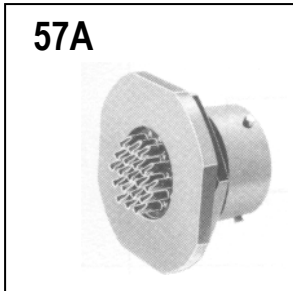
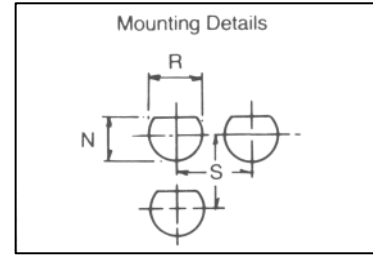
Single Hole Fixing Receptacles

Table of Styles

Page No.

62GB-5065			27
62GB-5067			27

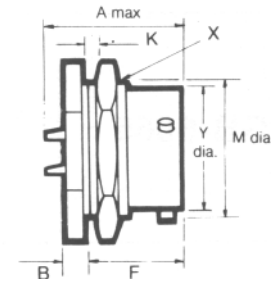
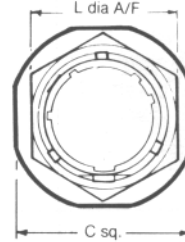
Single Hole Fixing Receptacles



57A

**62GB-57A
C2099**

Single hole mounting with plain shell for direct wiring to exposed solder buckets. Has panel 'O' ring seal.



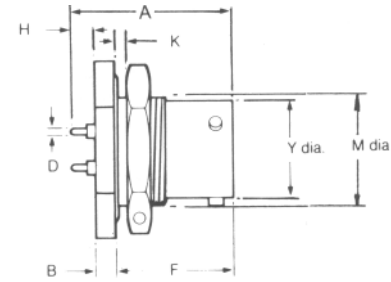
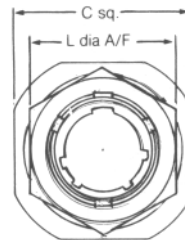
Shell Size	A max	B ± 0.005 (± 0.13)	C sq.	F ± 0.005 (± 0.13)	min	max	L	M -0.005 (-0.13)	N ± 0.005 (± 0.13)	R ± 0.005 (± 0.13)	s min	Y	X Thread
08	0.978	0.117	0.942	0.706	0.062	0.125	0.750	0.527	0.540	0.572	1.250	0.473	9/16 - 24 NEF
	24.84	2.97	23.93	17.93	1.58	3.18	19.05	13.3	13.72	14.53	31.75	12.03	
10	0.978	0.117	1.067	0.706	0.062	0.125	0.875	0.652	0.665	0.697	1.359	0.590	11/16 - 24 NEF
	24.84	2.97	27.10	17.93	1.58	3.18	22.23	16.56	16.89	17.70	34.52	14.99	
12	0.978	0.117	1.255	0.706	0.062	0.125	1.062	0.815	0.828	0.885	1.531	0.750	7/8 - 20 UNEF
	24.84	2.97	31.88	17.93	1.58	3.18	26.98	20.70	21.03	22.48	38.89	19.05	
14	0.978	0.117	1.380	0.706	0.062	0.125	1.187	0.939	0.952	1.010	1.656	0.875	1 - 20 UNEF
	24.84	2.97	35.05	17.93	1.58	3.18	30.15	23.85	24.18	25.65	42.06	22.23	
16	0.978	0.117	1.505	0.706	0.062	0.125	1.312	1.063	1.076	1.135	1.781	1.000	1.1/8 - 18 NEF
	24.84	2.97	38.23	17.93	1.58	3.18	33.32	27.00	27.33	28.83	45.24	25.40	
18	0.978	0.117	1.630	0.706	0.062	0.125	1.437	1.188	1.201	1.260	1.891	1.125	1.1/4 - 18 NEF
	24.84	2.97	41.40	17.93	1.58	3.18	36.50	30.18	30.50	32.00	48.03	28.58	
20	1.048	0.148	1.817	0.894	0.062	0.250	1.562	1.313	1.326	1.385	2.031	1.250	1.3/8 - 18NEF
	26.62	3.76	46.15	22.71	1.58	6.35	38.68	33.35	33.68	35.18	51.59	31.75	
22	1.048	0.148	1.942	0.894	0.062	0.250	1.687	1.438	1.451	1.510	2.156	1.375	1.1/2 - 18 NEF
	26.62	3.76	49.33	22.71	1.58	6.35	42.85	36.53	36.86	38.35	54.76	34.93	
24	1.048	0.148	2.067	0.927	0.062	0.250	1.812	1.563	1.576	1.635	2.277	1.500	1.5/8 - 18 NEF
	26.62	3.76	52.50	23.55	1.575	6.35	46.05	39.70	40.03	41.45	57.84	38.10	



57A(219)

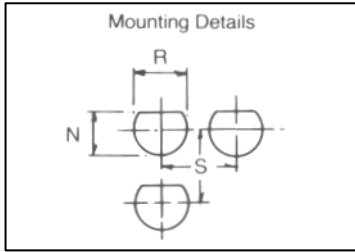
62GB-57A (219)

Single hole mounting with plain shell and film wire terminations



Shell Size	A m	B ± 0.005 (± 0.13)	C sq. max.	max	D min	F ± 0.005 (± 0.13)	max	H min	min	K max	L	M -0.005 (-0.13)	N ± 0.005 (± 0.13)	R ± 0.005 (± 0.13)	S min	Y	X Thread
08	0.976	0.117	0.942	0.030	0.028	0.706	0.173	0.133	0.062	0.125	0.750	0.527	0.540	0.572	1.250	0.473	9/16 - 24 NEF
	24.79	2.97	23.93	0.76	0.71	17.93	4.40	3.38	1.58	3.18	19.05	13.3	13.72	14.53	31.75	12.03	
10	0.976	0.117	1.067	0.030	0.028	0.706	0.173	0.133	0.062	0.125	0.875	0.652	0.665	0.697	1.359	0.590	11/16 - 24 NEF
	24.79	2.97	23.93	0.76	0.71	17.93	4.40	3.38	1.58	3.18	22.23	16.56	16.89	17.70	34.52	14.99	
12	0.976	0.117	1.255	0.030	0.028	0.706	0.173	0.133	0.062	0.125	1.062	0.815	0.828	0.885	1.531	0.750	7/8 - 20 UNEF
	24.79	2.97	31.88	0.76	0.71	17.93	4.40	3.38	1.58	3.18	26.98	20.70	21.03	22.48	38.89	19.05	
14	0.976	0.117	1.380	0.030	0.028	0.706	0.173	0.133	0.062	0.125	1.187	0.939	0.952	1.010	1.656	0.875	1 - 20 UNEF
	24.79	2.97	35.05	0.76	0.71	17.93	4.40	3.38	1.58	3.18	30.15	23.85	24.18	25.65	42.06	22.26	
16	0.976	0.117	1.505	0.030	0.028	0.706	0.173	0.133	0.062	0.125	1.312	1.063	1.076	1.135	1.781	1.000	1.1/8 - 18 NEF
	24.79	2.97	38.23	0.76	0.71	17.93	4.40	3.38	1.58	3.18	33.32	27.00	27.33	28.83	45.24	25.40	
18	0.976	0.117	1.630	0.030	0.028	0.706	0.173	0.133	0.062	0.125	1.437	1.188	1.201	1.260	1.891	1.125	1.1/4 - 18 NEF
	24.79	2.97	41.40	0.76	0.71	17.93	4.40	3.38	1.58	3.18	36.50	30.18	30.50	32.00	48.03	28.58	
20	1.195	0.148	1.817	0.030	0.028	0.894	0.173	0.133	0.062	0.250	1.562	1.313	1.326	1.385	2.031	1.250	1.3/8 - 18 NEF
	30.35	3.76	46.15	0.76	0.71	22.71	4.40	3.38	1.58	6.35	38.68	33.35	35.18	51.59	31.75		
22	1.195	0.148	1.942	0.030	0.028	0.894	0.173	0.133	0.062	0.250	1.687	1.438	1.451	1.510	2.156	1.375	1.1/2 - 18NEF
	30.35	3.76	49.33	0.76	0.71	22.71	4.40	3.38	1.58	6.35	42.85	36.53	36.86	38.35	54.76	34.93	
24	1.228	0.148	2.067	0.030	0.028	0.927	0.173	0.133	0.062	0.250	1.812	1.563	1.576	1.635	2.277	1.500	1.5/8 - 18 NEF
	30.35	3.76	52.50	0.76	0.71	23.55	4.40	3.38	1.58	6.35	46.05	39.70	40.03	41.45	57.84	38.10	

Single Hole Fixing Receptacles



62GB-14E
MIL-C-26482 MS3114E

Single hole mounting with grommet and grommet nut.
Has panel 'O' ring seal

Shell Size	A max	B ±0.005 (±0.13)	C max sq.	F ±0.005 (±0.13)	G Dia Max	min	K max	L	M -0.005 (-0.13)	N ±0.005 (±0.13)	R ±0.005 (±0.13)	S	Y	X Thread
08	1.344	0.117	0.942	0.706	0.713	0.062	0.125	0.750	0.527	0.540	0.572	1.250	0.473	9/16-24NEF
	34.14	2.97	23.93	17.93	18.11	1.58	3.18	19.05	13.3	13.72	14.53	31.75	12.03	
10	1.344	0.117	1.067	0.706	0.838	0.062	0.125	0.875	0.652	0.665	0.697	1.359	0.590	11/16 -24 NEF
	34.14	2.97	27.10	17.93	21.29	1.58	3.18	22.23	16.56	16.89	17.70	34.52	14.99	
12	1.344	0.117	1.255	0.706	0.963	0.062	0.125	1.062	0.815	0.828	0.885	1.531	0.750	7/8 -20 UNEF
	34.14	2.97	31.88	17.93	24.46	1.58	3.18	26.98	20.70	21.03	22.48	38.89	19.05	
14	1.344	0.117	1.380	0.706	1.088	0.062	0.125	1.187	0.939	0.952	1.010	1.656	0.875	1 - 20 UNEF
	34.14	2.97	35.05	17.93	27.63	1.58	3.18	30.15	23.85	24.18	25.65	42.06	22.23	
16	1.344	0.117	1.505	0.706	1.213	0.062	0.125	1.312	1.063	1.076	1.135	1.781	1.000	1.1/8 -18NEF
	34.14	2.97	38.23	17.93	30.81	1.58	3.18	33.32	27.00	27.33	28.83	45.24	25.40	
18	1.344	0.117	1.630	0.706	1.338	0.062	0.125	1.437	1.188	1.201	1.260	1.891	1.125	1.1/4 -18 NEF
	34.14	2.97	41.40	17.93	33.98	1.58	3.18	36.50	30.18	30.50	32.00	48.03	28.58	
20	1.576	0.148	1.817	0.894	1.463	0.062	0.250	1.562	1.313	1.326	1.385	2.031	1.250	1.3/8 - 18 NEF
	40.03	3.76	46.15	22.71	37.16	1.58	6.35	38.68	33.35	33.68	35.18	51.59	31.75	
22	1.576	0.148	1.942	0.894	1.588	0.062	0.250	1.687	1.438	1.451	1.510	2.156	1.375	1.1/2 - 18 NEF
	40.03	3.76	49.33	22.71	40.33	1.58	6.35	42.85	36.53	36.86	38.35	54.76	34.93	
24	1.609	0.148	2.067	0.927	1.713	0.062	0.250	1.812	1.563	1.576	1.635	2.277	1.500	1.5/8 - 18 NEF
	40.87	3.76	52.50	23.55	43.51	1.58	6.35	46.05	39.70	40.03	41.45	57.84	38.10	

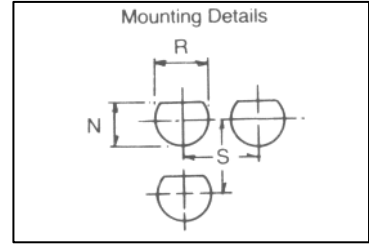


62GB-1 4F
MIL-C-26482 MS3114F

Single hole mounting with grommet and grommet nut fitted with integral strain relief clamp.
Has panel 'O' ring seal

Shell Size	A max	B ±0.005 (±0.13)	C max sq.	F ±0.005 (±0.13)	G dia. max.	H 0.005 (± 0.13)	min	K max	L	M -0.005 (-0.13)	N ±0.005 (±0.13)	R ±0.005 (±0.13)	S	Y	X Thread
08	1.762	0.117	0.942	0.706	0.828	0.156	0.062	0.125	0.750	0.527	0.540	0.572	1.250	0.473	9/16 -24 NEF
	44.75	2.97	23.93	17.93	21.03	3.96	1.58	3.18	19.05	13.3	13.72	14.53	31.75	12.03	
10	1.762	0.117	1.067	0.706	0.891	0.188	0.062	0.125	0.875	0.652	0.665	0.697	1.359	0.590	11/16 - 124 NEF
	44.75	2.97	27.10	17.93	22.63	4.78	1.58	3.18	22.23	16.56	16.89	17.70	34.52	14.99	
12	1.762	0.117	1.255	0.706	1.016	0.312	0.062	0.125	1.062	0.815	0.828	0.885	1.531	0.750	7/8 - 20 UNEF
	44.75	2.97	31.88	17.93	25.81	7.93	1.58	3.18	26.98	20.70	21.03	22.48	38.89	19.05	
14	1.736	0.117	1.380	0.706	1.147	0.375	0.062	0.125	1.187	0.939	0.952	1.010	1.656	0.875	1 - 20 NEF
	44.10	2.97	35.05	17.93	28.97	9.53	1.58	3.18	30.15	23.85	24.18	25.65	42.06	22.23	
16	1.876	0.117	1.505	0.706	1.203	0.500	0.062	0.125	1.312	1.063	1.076	1.135	1.781	1.000	1.1/8 - 18 NEF
	47.65	2.97	38.23	17.93	30.56	12.7	1.58	3.18	33.32	27.00	27.33	28.83	45.24	25.40	
18	1.876	0.117	1.630	0.706	1.426	0.625	0.062	0.125	1.437	1.188	1.201	1.260	1.891	1.125	1.1/4 - 18 NEF
	47.65	2.97	41.40	17.93	36.22	15.88	1.58	3.18	36.50	30.18	30.50	32.00	48.03	28.58	
20	2.118	0.148	1.817	0.894	1.426	0.625	0.062	0.250	1.562	1.313	1.326	1.385	2.031	1.250	1.3/8 - 18 NEF
	53.8	3.76	46.15	22.71	36.22	15.88	1.58	6.35	38.68	33.35	33.68	35.18	51.59	31.75	
22	2.118	0.148	1.942	0.894	1.567	0.750	0.062	0.250	1.687	1.438	1.451	1.510	2.756	1.375	1.1/2 - 18 NEE
	53.8	3.76	49.33	22.71	39.80	19.05	1.58	6.35	42.85	36.53	36.86	38.35	54.76	34.93	
24	2.250	0.148	2.067	0.927	1.735	0.800	0.062	0.250	1.812	1.563	1.576	1.635	2.277	1.500	1.5/8 - 18 NEF
	57.15	3.76	52.50	23.55	44.07	20.32	1.58	6.35	46.05	39.70	40.03	41.45	57.84	38.10	

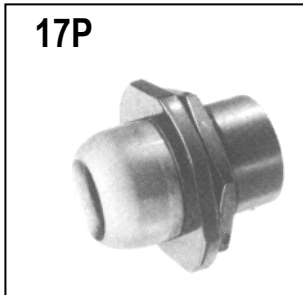
Single Hole Fixing Receptacles



62G B-57T

Single hole mounting with threaded shell to accept accessories

Shell Size	A max	B ± 0.005 (±0.13)	c max. sq. (±0.13)	F ± 0.005 (±0.13)	G dia. max.	K min max	L	M -0.005 (-0.13)	N	Y	X Thread	
08	0.978	0.117	0.942	0.595	0.426	0.062	0.125	0.750	0.527	7/16 - UNEF	0.473	9/16 - 24 NEF
	24.84	2.97	23.93	15.12	10.82	1.58	3.18	19.05	13.3	12.03	0.590	
10	0.978	0.117	1.067	0.595	0.552	0.062	0.125	0.875	0.652	9/16 - UNEF	0.750	11/16 - 24 NEF
	24.84	2.97	27.10	15.12	14.02	1.58	3.18	22.23	16.56	14.99	0.750	
12	0.978	0.117	1.255	0.595	0.677	0.062	0.125	1.062	0.815	11/16 - UNEF	0.750	7/8 - 20 UNEF
	24.84	2.97	31.88	15.12	17.20	1.58	3.18	26.98	20.70	19.05	0.875	
14	0.978	0.117	1.380	0.595	0.802	0.062	0.125	1.187	0.939	13/16 - UNEF	0.875	1 - 20 UNEF
	24.84	2.97	35.05	15.12	20.37	1.58	3.18	30.15	23.85	22.23	1.000	
16	0.978	0.117	1.505	0.595	0.927	0.062	0.125	1.312	1.063	15/16 - UNEF	1.000	1.1/18 - 18 NEF
	24.84	2.97	38.23	15.12	23.55	1.58	3.18	33.32	27.00	25.40	1.125	
18	0.978	0.117	1.630	0.595	1.052	0.062	0.125	1.437	1.188	1.1/16 - UNEF	1.125	1.1/4 - 18 NEF
	24.84	2.98	41.40	15.12	26.72	1.58	3.18	36.50	30.18	28.58	1.250	
20	1.048	0.148	1.817	0.720	1.167	0.062	0.250	1.562	1.313	1.3/16 - UNEF	1.250	1.3/8 - 18 NEF
	26.62	3.76	46.15	18.29	29.65	1.58	6.35	38.68	33.35	31.75	1.375	
22	1.048	0.148	1.942	0.720	1.292	0.062	0.250	1.687	1.438	1.5/16 - UNEF	1.375	1.1/2 - 18 NEF
	26.62	3.76	49.33	18.29	32.82	1.58	6.35	42.85	36.53	34.93	1.50	
24	1.048	0.148	2.067	0.753	1.416	0.062	0.250	1.812	1.563	1.7/16 - UNEF	1.50	1.5/8 - 18 NEF
	26.62	3.76	52.50	19.13	35.97	1.58	6.35	46.05	39.70	38.10		



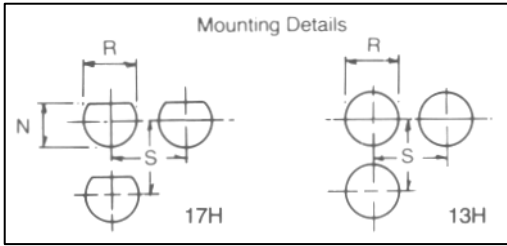
62GB-17P
MIL-C-26482 MS3114P

Single hole mounting for potting. Supplied complete with potting mould locating ring and panel 'O' ring seal

Shell Size	A max.	B ±0.005 (±0.13)	C max. sq. (±0.13)	F ± 0.005 (±0.13)	G	K min max	L	M -0.005 (-0.13)	N ±0.005 (±0.13)	R ±0.005 (±0.13)	Y	Z	X Thread		
08	1.391	0.117	0.942	0.706	0.572	0.062	0.125	0.750	0.527	0.540	0.572	1.250	0.473	0.260	9/16 - 24 NEF
	35.33	2.97	23.93	17.93	14.53	1.58	3.175	19.05	13.3	13.72	14.53	31.75	12.03	6.60	
10	1.391	0.117	1.067	0.706	0.666	0.062	0.125	0.875	0.652	0.665	0.697	1.359	0.590	0.463	11/16 - 24 NEF
	35.33	2.97	27.10	17.93	16.92	1.58	3.18	22.23	16.56	16.89	17.70	34.52	14.99	11.76	
12	1.391	0.117	1.255	0.706	0.822	0.062	0.125	1.062	0.815	0.828	0.885	1.531	0.750	0.557	7/8 - 20 UNEF
	35.33	2.97	31.88	17.93	20.88	1.58	3.18	26.98	20.70	21.03	22.48	38.89	19.05	14.15	
14	1.391	0.117	1.380	0.706	0.907	0.062	0.125	1.187	0.939	0.952	1.010	1.656	0.875	0.590	1 - 20 UNEF
	35.33	2.97	35.05	17.93	23.06	1.58	3.18	30.15	23.85	24.18	25.65	42.06	22.23	14.99	
16	1.391	0.117	1.505	0.706	1.040	0.062	0.125	1.312	1.063	1.076	1.135	1.781	1.000	0.713	1.1/18 - 18 NEF
	35.33	2.97	38.23	17.93	26.42	1.58	3.18	33.32	27.00	27.33	28.83	45.24	25.40	18.11	
18	1.391	0.117	1.630	0.706	1.165	0.062	0.125	1.437	1.188	1.201	1.260	1.891	1.125	0.835	1.1/4 - 18 NEF
	35.33	2.97	41.40	17.93	29.59	1.58	3.175	36.50	30.18	30.50	32.00	48.03	28.58	21.21	
20	1.641	0.148	1.817	0.894	1.285	0.062	0.250	1.562	1.313	1.326	1.385	2.031	1.250	1.015	1.3/8 - 18 NEF
	41.68	3.76	46.15	22.71	32.64	1.58	6.35	38.68	33.35	33.68	35.18	51.59	31.75	25.78	
22	1.641	0.148	1.942	0.894	1.400	0.062	0.250	1.687	1.438	1.451	1.510	2.156	1.375	1.015	1.1/2 - 18 NEF
	41.68	3.76	49.33	22.71	35.56	1.58	6.35	42.85	36.53	36.86	38.35	54.76	34.93	25.78	
24	1.674	0.148	2.067	0.927	1.540	0.062	0.250	1.812	1.563	1.576	1.635	2.277	1.500	1.265	1.5/8 - 18 NEF
	42.52	3.76	52.50	23.55	39.12	1.58	6.35	46.05	39.70	40.03	41.45	57.84	38.10	32.13	

Single Hole Fixing Receptacles

Hermetic Seal



62GB-17H
MIL-C-26482 MS3114H

Single hole mounting with pin contacts in one piece
glass-to-metal seal. Exposed solder buckets or flattened and pierced pins.
Has panel 'O' ring seal

Shell Size	A max.	B ±0.005 (±0.13)	C max. sq	F ±0.005 (±0.13)	min	K max	L	M -0.005 (-0.13)	N ±0.005 (±0.13)	R ±0.005 (±0.13)	S	Y	X Thread
08	0.828	0.094	0.942	0.706	0.062	0.125	0.750	0.527	0.540	0.572	1.250	0.473	9/16 - 24 NEF
	21.03	2.39	23.93	17.93	1.57	3.18	19.05	13.39	13.72	14.53	31.75	12.01	
10	0.828	0.094	1.067	0.706	0.062	0.125	0.875	0.652	0.665	0.697	1.359	0.590	11/16 - 24 NEF
	21.03	2.39	27.10	17.93	1.57	3.18	22.23	16.56	16.89	17.70	34.52	14.99	
12	0.828	0.094	1.255	0.706	0.062	0.125	1.062	0.815	0.828	0.885	1.531	0.750	7/8 - 20 UNEF
	21.03	2.39	31.88	17.93	1.57	3.18	26.97	20.70	21.03	22.48	38.89	19.05	
14	0.828	0.094	1.380	0.706	0.062	0.125	1.187	0.939	0.952	1.010	1.656	0.875	1 - 20 UNEF
	21.03	2.39	35.05	17.93	1.57	3.18	30.15	23.85	24.18	25.65	42.06	22.23	
16	0.828	0.094	1.505	0.706	0.062	0.125	1.312	1.063	1.076	1.135	1.781	1.000	1.1/8 - 18 NEF
	21.03	2.39	38.23	17.93	1.57	3.18	33.32	27.00	27.33	28.53	45.24	25.40	
18	0.828	0.094	1.630	0.706	0.062	0.125	1.437	1.188	1.201	1.260	1.891	1.125	1.1/4 - 18 NEF
	21.03	2.39	41.40	17.93	1.57	3.18	36.50	30.18	30.51	32.00	48.03	28.58	
20	0.828	0.125	1.817	0.894	0.062	0.250	1.562	1.313	1.326	1.385	2.031	1.250	1.3/8 - 18 NEF
	21.03	3.18	46.15	22.71	1.57	6.35	39.67	33.35	33.68	35.18	51.59	30.75	
22	0.890	0.125	1.942	0.894	0.062	0.250	1.687	1.438	1.451	1.510	2.156	1.375	1.1/2 - 18 NEF
	22.61	3.18	49.33	22.71	1.57	6.35	42.85	36.53	36.86	38.35	54.76	34.93	
24	0.890	0.125	2.067	0.927	0.062	0.250	1.812	1.563	1.576	1.635	2.277	1.500	1.5/8 - 18 NEF
	22.61	3.18	52.50	23.55	1.57	6.35	46.02	39.70	40.03	41.53	57.84	38.10	

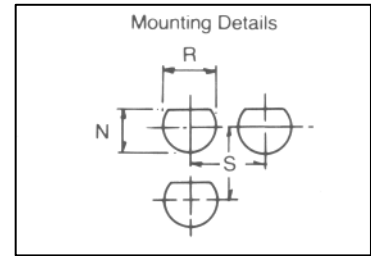


62GB-1 3H
MIL-C-26482 MS3113H

Solder mounting with plain shell and exposed solder buckets or flattened and pierced pins

Shell Size	A max	B ±0.005 (± 0.13)	c max	F ±0.005 (± 0.13)	G max	J max	R ±0.005 (± 0.13)	S min	Y dia. max
08	0.828	0.036	0.630	0.426	0.562	0.592	0.578	1.250	0.473
	21.03	0.91	16.00	10.82	14.27	15.04	14.68	31.75	12.01
10	0.828	0.036	0.755	0.426	0.672	0.592	0.687	1.359	0.590
	21.03	0.91	19.18	10.82	17.07	15.04	17.45	34.52	14.99
12	0.828	0.036	0.849	0.426	0.781	0.592	0.797	1.531	0.750
	21.03	0.91	21.56	10.82	19.84	15.04	20.24	38.89	19.05
14	0.828	0.036	0.974	0.426	0.906	0.592	0.922	1.656	0.875
	21.03	0.91	24.74	10.82	23.01	15.04	23.42	42.06	22.23
16	0.828	0.036	1.099	0.426	1.031	0.592	1.047	1.781	1.000
	21.03	0.91	27.91	10.82	26.19	15.04	26.59	45.24	25.40
18	0.828	0.036	1.223	0.426	1.156	0.592	1.172	1.891	1.125
	21.03	0.91	31.06	10.82	29.36	15.04	29.77	48.03	28.58
20	0.890	0.036	1.317	0.488	1.250	0.658	1.266	2.031	1.250
	22.61	0.91	33.45	12.40	31.75	16.70	32.16	51.59	30.75
22	0.890	0.036	1.443	0.488	1.375	0.686	1.390	2.156	1.375
	22.61	0.91	36.65	12.40	34.93	17.42	35.31	54.76	34.93
24	0.890	0.036	1.567	0.521	1.500	0.719	1.516	2.277	1.500
	22.61	0.91	39.80	13.23	38.10	18.26	38.51	57.84	38.10

Single Hole Fixing Receptacles

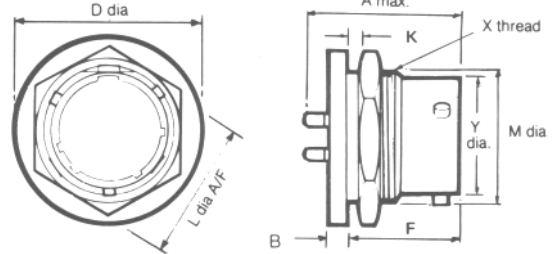


5005

62GB-5005-10
(RSRE SD/C 235025/X)

Single hole mounting plain shell with PC pin terminated contacts. Reduced diameter flange with panel 'O' seal

Size 10 only



	A max	B +0.001 -0.002 (+0.03) (-0.03)	D dia. max	F +0.002 -0.003 (+0.05) (-0.08)	K min max	M -0.005 (-0.13)	N ±0.003 (±0.08)	R +0.005 (+0.13)	S	Y dia. max.	X Thread	L dia
10	0.877 22.28	0.065 1.65	0.880 22.35	0.681 17.29	0.062 1.58 0.125 3.18	0.655 16.63	0.659 16.47	0.690 17.52	1.017 25.83	0.590 14.99	11/16 – 24 NEF	0.820 20.83

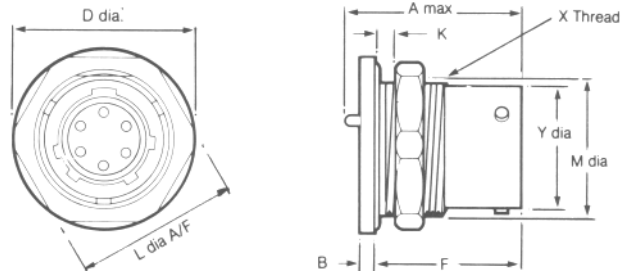


5036

62GB-5036-10
(RSRE SD/C235025/X)

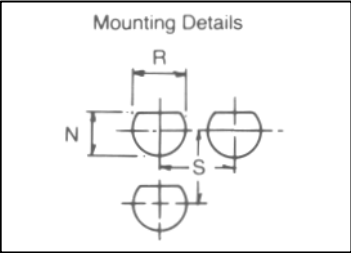
Single hole mounting with circular flange and P.C. terminations

Size 10 only



Shell Size	A max	B +0.001 -0.002 (+0.03) (-0.05)	D dia. max	F +0.002 -0.003 (+0.05) (-0.08)	Y dia. max.	K min max	M -0.005 (-0.13)	N ±0.003 (±0.08)	R +0.005 (+0.13)	S	X Thread	L dia
10	0.829 21.06	0.066 1.67	0.880 22.35	0.679 17.25	0.590 14.99	0.062 1.57 0.125 3.18	0.655 16.63	0.659 16.47	0.690 17.52	1.017 25.83	11/16 – 24 NEF	0.820 20.83

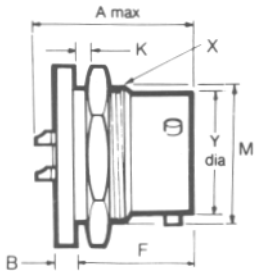
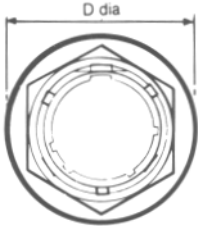
Single Hole Fixing Receptacles



62GB-5016-10 (RSRE SD/C 235025/X)

Single hole mounting plain shell for direct wiring to exposed solder buckets. Reduced diameter flange with panel 'O' ring seal

Solder bucket: Size 10 only



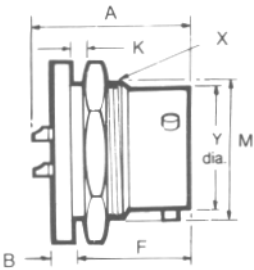
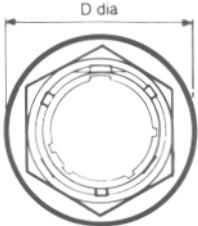
Shell Size	A max	B +0.002 -0.001 (+0.05) (-0.03)	D dia. max	F + 0.003 - 0.002 (+ 0.08) (- 0.05)	K min	K max	M - 0.010 (- 0.25)	N ± 0.005 (± 0.13)	R + 0.005 (+ 0.13)	S	Y dia. max.	X Thread
10	0.902 22.91	0.064 1.62	0.880 22.35	0.678 17.21	0.062 1.58	0.125 3.18	0.655 16.63	0.665 16.89	0.697 17.70	1.359 34.52	0.590 14.99	11/16 - 24 NEF



62GB-5024 (RSRE SD/C 35077/X)

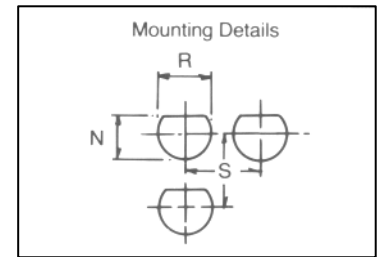
Single hole mounting plain shell for direct wiring to exposed solder buckets. Reduced diameter flange with panel 'O' ring seal

Solder buckets: Size 8, 12 and 14 only



Shell Size	A max	B ± 0.005 (± 0.13)	D dia. max	F ± 0.005 (± 0.13)	K min	K max	M - 0.005 (- 0.13)	N ± 0.005 (± 0.13)	R ± 0.005 (± 0.13)	S min	Y dia. max	X Thread
08	0.978 24.84	0.117 2.97	0.830 21.08	0.706 17.93	0.062 1.58	0.125 3.18	0.527 13.3	0.540 13.72	0.572 14.53	1.250 31.75	0.473 12.03	9/16 - 24 NEF
12	0.978 24.84	0.117 2.97	1.130 28.70	0.706 17.93	0.062 1.58	0.125 3.18	0.815 20.70	0.828 21.03	0.885 22.48	1.531 38.89	0.750 19.05	7/8 - 20 UNEF
14	0.978 24.84	0.117 2.97	1.260 32.00	0.706 17.93	0.062 1.58	0.125 3.18	0.939 23.85	0.952 24.18	1.010 25.65	1.656 42.06	0.875 22.23	1 - 20 UNEF

Single Hole Fixing Receptacles

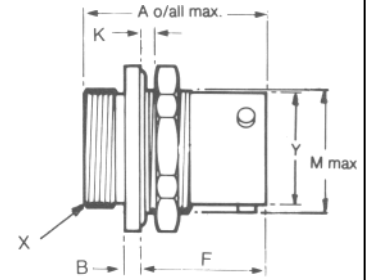
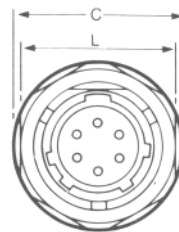


5052

62GB-5052-10

Single hole fixing with circular flange and back end thread - solder termination

Size 10 only



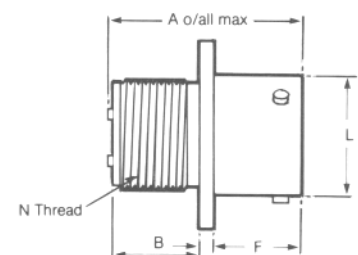
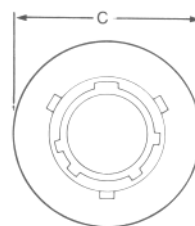
Shell Size	A max	B (± 0.05) (± 0.03)	C max. sq.	F + 0.003 - 0.002 (+ 0.08) (- 0.05)	K min	K max	L	M - 0.005 (- 0.13)	N ± 0.005 (± 0.13)	R ± 0.005 (± 0.13)	S ± 0.005 (± 0.13)	X Thread
10	0.947 24.06	0.062 1.58	0.880 22.35	0.677 17.19	0.062 1.58	0.125 3.18	0.820 20.83	0.650 16.51	5/8 - 24 UNEF	0.697 17.70	1.359 34.52	11/16 - 24 NEF



5030

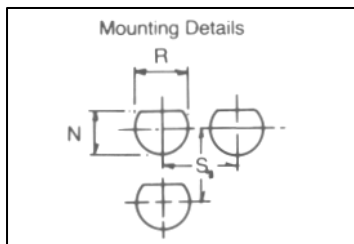
62G B-5030

Bulkhead mounting receptacle with solder terminations



Shell Size	A max	B ± 0.005 (± 0.13)	C ± 0.010 (± 0.25)	F ± 0.005 (± 0.13)	L	N Thread
08	0.978	0.094	0.812	0.415	0.563	7/16 - 28 UNEF
	24.85	2.39	20.63	10.54	14.30	
10	0.978	0.094	0.937	0.415	0.680	9/16 - 24 NEF
	24.85	2.39	23.80	10.54	17.28	
12	0.978	0.094	1.031	0.415	0.859	11 /16 - 24 NEF
	24.85	2.39	26.19	10.54	21.82	
14	0.978	0.094	1.125	0.415	0.984	13/16 - 20 UNEF
	24.85	2.39	28.58	10.54	25.00	
16	0.978	0.094	1.218	0.415	1.108	15/16 - 20 UNEF
	24.85	2.39	30.94	10.54	28.15	
18	0.978	0.094	1.3121	0.415	1.233	1.1/16 - 18NEF
	24.85	2.39	33.33	10.54	31.32	
20	1.048	0.102	1.437	0.535	1.358	1.3/16 - 18NEF
	26.62	2.59	36.50	13.59	34.50	
22	1.048	0.102	1.562	0.535	1.483	1.5/16 - 18 NEF
	26.62	2.59	39.68	13.59	37.67	
24	1.048	0.102	1.687	0.572	1.610	1.7/16 - 18 NEF
	26.62	2.59	42.85	14.53	40.90	

Single Mole Fixing Receptacles



62G B-5065

Single hole mounting with plain shell and film wire terminations

Shell Size	A		C sq.	D		F		H		J		K	L	M	N	R	S	Y	X Thread
	max	± 0.005 (± 0.13)		max	min	± 0.005 (± 0.13)	max	min	± 0.020 (± 0.51)	min	max								
08	1.021	0.117	0.942	0.030	0.028	0.706	0.218	0.178	0.060	0.062	0.125	0.750	0.527	0.540	0.572	1.250	0.473	9/16 - 24 NEF	
	25.94	2.97	23.93	0.76	0.71	17.93	5.54	4.52	1.52	1.58	3.18	19.05	13.3	13.72	14.53	31.75	12.03		
10	1.021	0.117	1.067	0.030	0.028	0.706	0.218	0.178	0.060	0.062	0.125	0.875	0.652	0.665	0.697	1.359	0.590	11/16 - 24 NEF	
	25.94	2.97	27.10	0.76	0.71	17.93	5.54	4.52	1.52	1.58	3.18	22.23	16.56	16.89	17.70	34.52	14.99		
12	1.021	0.117	1.255	0.030	0.028	0.706	0.218	0.178	0.060	0.062	0.125	1.062	0.815	0.828	0.885	1.531	0.750	7/8 - 20 UNEF	
	25.94	2.97	31.88	0.76	0.71	17.93	5.54	4.52	1.52	1.58	3.18	26.98	20.70	21.03	22.48	38.89	19.05		
14	1.021	0.117	1.380	0.030	0.028	0.706	0.218	0.178	0.060	0.062	0.125	1.187	0.939	0.952	1.010	1.656	0.875	1 - 20 UNEF	
	25.94	2.97	35.05	0.76	0.71	17.93	5.54	4.52	1.52	1.58	3.18	30.15	23.85	24.18	25.65	42.06	22.23		
16	1.021	0.117	1.505	0.030	0.028	0.706	0.218	0.178	0.060	0.062	0.125	1.312	1.063	1.076	1.135	1.781	1.000	1.1/8 - 18 NEF	
	25.94	2.97	38.23	0.76	0.71	17.93	5.54	4.52	1.52	1.58	3.18	33.32	27.00	27.33	28.83	45.24	25.40		
18	1.021	0.117	1.630	0.030	0.028	0.706	0.218	0.178	0.060	0.062	0.125	1.437	1.188	1.201	1.260	1.891	1.125	1.1/4 - 18 NEF	
	25.94	2.97	41.40	0.76	0.71	17.93	5.54	4.52	1.52	1.58	3.18	36.50	30.18	30.50	32.00	48.03	28.58		
20	1.240	0.148	1.817	0.030	0.028	0.894	0.218	0.178	0.060	0.062	0.250	1.562	1.313	1.326	1.385	2.031	1.250	1.3/8 - 18 NEF	
	31.50	3.76	46.15	0.76	0.71	22.71	5.54	4.52	1.52	1.58	6.35	38.68	33.35	33.68	35.18	51.59	31.75		
22	1.240	0.148	1.942	0.030	0.028	0.894	0.218	0.178	0.060	0.062	0.250	1.687	1.438	1.451	1.510	2.156	1.375	1.1/2 - 18 NEF	
	31.50	3.76	49.33	0.76	0.71	22.71	5.54	4.52	1.52	1.58	6.35	42.85	36.53	36.855	38.35	54.76	34.93		
24	1.273	0.148	2.067	0.030	0.028	0.927	0.218	0.178	0.060	0.062	0.250	1.812	1.563	1.576	1.635	2.277	1.500	1.5/8 - 18 NEF	
	32.34	3.76	52.50	0.76	0.71	23.55	5.54	4.52	1.52	1.58	6.35	46.05	39.70	40.03	41.45	57.84	38.10		



62GB-5067

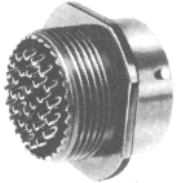
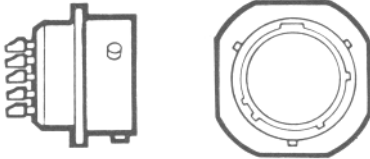

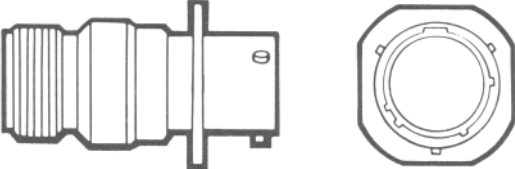
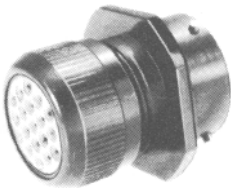
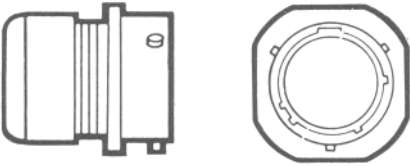
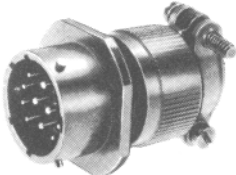
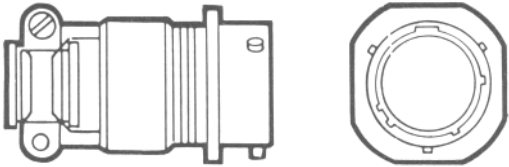

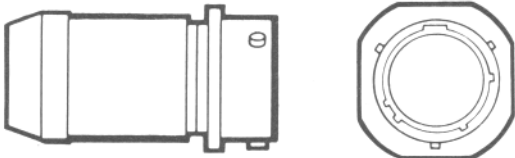
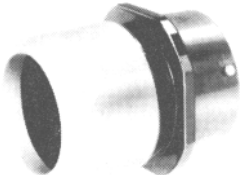
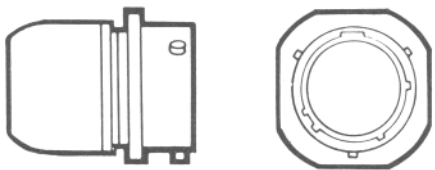
Single hole mounting with plain shell and film wire terminations

Shell Size	A		C max sq.	D		F		H		J		K	L	M	N	R	S	Y	X Thread
	max	± 0.005 (± 0.13)		max	max	min	± 0.005 (± 0.13)	max	min	± 0.012 (± 0.30)	min								
08	1.095	0.117	0.942	0.030	0.028	0.706	0.262	0.230	0.049	0.062	0.125	0.750	0.527	0.540	0.572	1.250	0.473	9/16 - 24 NEF	
	27.81	2.97	23.93	0.76	0.71	17.93	6.66	5.85	1.24	1.58	3.18	19.05	13.3	13.72	14.53	31.75	12.03		
10	1.095	0.117	1.067	0.030	0.028	0.706	0.262	0.230	0.049	0.062	0.125	0.875	0.652	0.665	0.697	1.359	0.590	11/16 - 24 NEF	
	27.81	2.97	27.10	0.76	0.71	17.93	6.66	5.85	1.24	1.58	3.18	22.23	16.56	16.89	17.70	34.52	14.99		
12	1.095	0.117	1.255	0.030	0.028	0.706	0.262	0.230	0.049	0.062	0.125	1.062	0.815	0.828	0.885	1.531	0.750	7/8 - 20 UNEF	
	27.81	2.97	31.88	0.76	0.71	17.93	6.66	5.85	1.24	1.58	3.18	26.98	20.70	21.03	22.50	38.89	19.05		
14	1.095	0.117	1.380	0.030	0.028	0.706	0.262	0.230	0.049	0.062	0.125	1.187	0.939	0.952	1.010	1.656	0.875	1 - 20 UNEF	
	27.81	2.97	35.10	0.76	0.71	17.93	6.66	5.85	1.24	1.58	3.18	30.15	23.85	24.18	25.65	42.06	22.23		
16	1.095	0.117	1.505	0.030	0.028	0.706	0.262	0.230	0.049	0.062	0.125	1.312	1.063	1.076	1.135	1.781	1.000	1.1/8 - 18 NEF	
	27.81	2.97	38.23	0.76	0.71	17.93	6.66	5.85	1.24	1.58	3.18	33.32	27.00	27.33	28.83	45.24	25.40		
18	1.095	0.117	1.630	0.030	0.028	0.706	0.262	0.230	0.049	0.062	0.125	1.437	1.188	1.201	1.260	1.891	1.125	1.1/4 - 18 NEF	
	27.81	2.97	41.40	0.76	0.71	17.93	6.66	5.85	1.24	1.58	3.18	36.50	30.18	30.51	32.00	48.03	28.58		
20	1.309	0.148	1.817	0.030	0.028	0.894	0.262	0.230	0.049	0.062	0.250	1.562	1.313	1.326	1.385	2.031	1.250	1.3/8 - 18 NEF	
	33.24	3.76	46.15	0.76	0.71	22.71	6.66	5.85	1.24	1.58	6.35	38.68	33.35	33.68	35.18	51.59	31.75		
22	1.309	0.148	1.942	0.030	0.028	0.894	0.262	0.230	0.049	0.062	0.250	1.687	1.438	1.451	1.510	2.156	1.375	1.1/2 - 18 NEF	
	33.24	3.76	49.33	0.76	0.71	22.71	6.66	5.85	1.24	1.58	6.35	42.85	36.53	36.86	38.35	54.76	34.93		
24	1.342	0.148	2.067	0.030	0.028	0.927	0.262	0.230	0.049	0.062	0.250	1.812	1.563	1.576	1.635	2.277	1.500	1.5/8 - 18 NEF	
	34.08	3.76	52.50	0.76	0.71	23.55	6.66	5.85	1.24	1.58	6.35	46.03	39.07	40.03	41.59	57.84	38.10		

Cable Mounting Receptacles

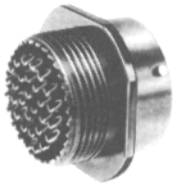
Table of Styles

Page No.

62GB-51T			29
62GB-11A			29
62GB-11E			30
62GB-11F			30
62GB-11J			31
62GB-11P			31

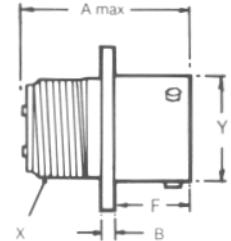
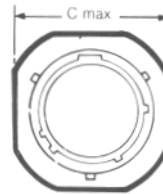
Cable Mounting Receptacles

51T



62GB-51T

Basic cable mounting receptacle with threaded shell to accept standard cable accessories.



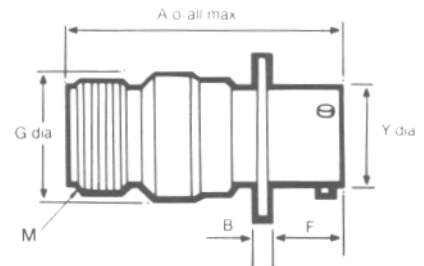
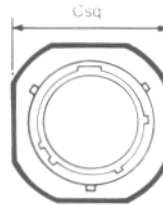
Shell Size	A max	B ± 0.005 (± 0.13)	C max sq	F ± 0.005 (± 0.13)	Y dia max	X Thread
08	0.978	0.094	0.817	0.415	0.473	7/16 - 28 UNEF
	24.84	2.39	20.75	10.54	12.03	
10	0.978	0.094	0.942	0.415	0.590	9/16 - 24 NEF
	24.84	2.39	23.93	10.54	14.99	
12	0.978	0.094	1.036	0.415	0.750	11 /16 - 24 NEF
	24.84	2.39	26.32	10.54	19.05	
14	0.978	0.094	1.130	0.415	0.875	13/16 - 20 UNEF
	24.84	2.39	28.70	10.54	22.23	
16	0.978	0.094	1.223	0.415	1.000	15/16 - 20 UNEF
	24.84	2.39	31.07	10.54	25.40	
18	0.978	0.094	1.317	0.415	1.125	1.1/16 -18 NEF
	24.84	2.39	33.45	10.54	28.58	
20	1.048	0.102	1.442	0.535	1.250	1.3/16 -18 NEF
	26.62	2.59	36.63	13.59	31.75	
22	1.048	0.102	1.567	0.535	1.375	1.5/16 -18 NEF
	26.62	2.59	39.80	13.59	34.93	
24	1.048	0.102	1.692	0.560 / 0.574	1.500	1.7/16 -18 NEF
	26.62	2.59	42.98	14.23 / 14.58	38.10	

11A



62GB-11A

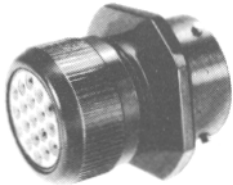
Cable mounting receptacle with general duty back shell. No grommet supplied.



Shell Size	A max	B ± 0.005 (± 0.13)	C max sq	F ± 0.005 (± 0.13)	G dia max	Y Dia max	M Thread
08	1.624	0.094	0.817	0.415	0.561	0.473	1/2 - 28 UNEF
	41.25	2.39	20.75	10.54	14.25	12.03	
10	1.624	0.094	0.942	0.415	0.686	0.590	5/8 - 24 NEF
	41.25	2.39	23.93	10.54	17.43	14.99	
12	1.624	0.094	1.036	0.415	0.811	0.750	3/4 - 20 UNEF
	41.25	2.39	26.32	10.54	20.60	19.05	
14	1.624	0.094	1.130	0.415	0.936	0.875	7/8 - 20 UNEF
	41.25	2.39	28.70	10.54	23.78	22.23	
16	1.624	0.094	1.223	0.415	1.061	1.000	1 - 20 UNEF
	41.25	2.39	31.07	10.54	26.95	25.40	
18	1.624	0.094	1.317	0.415	1.186	1.125	1.3/16 - 18 NEF
	41.25	2.39	33.45	10.54	30.13	28.58	
20	1.687	0.104 / 0.100	1.442	0.535	1.311	1.250	1 3/16 -18 NEF
	42.85	2.64 / 2.55	36.63	13.59	33.30	31.75	
22	1.687	0.104 / 0.100	1.567	0.535	1.436	1.375	1.7/16 -18 NEF
	42.85	2.64 / 2.55	39.80	13.59	36.75	34.93	
24	1.730	0.104 / 0.100	1.692	0.569 / 0.574	1.561	1.500	1.7/16 -18 NEF
	43.94	2.64 / 2.55	42.98	14.45 / 14.58	39.65	38.10	

Cable Mounting Receptacles

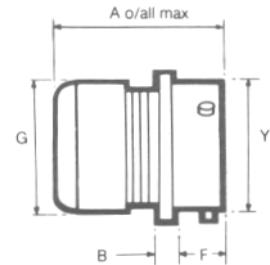
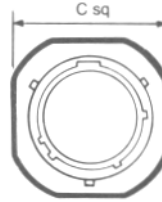
11E



62GB-11E

MIL-C-26482 MS3111E

Cable mounting receptacle with grommet and grommet nut



Shell Size	A max	B ± 0.005 (± 0.13)	C max sq	F ± 0.005 (± 0.13)	G dia max	Y dia max
08	1.281	0.094	0.817	0.415	0.561	0.473
	32.54	2.39	20.75	10.54	14.25	12.03
10	1.281	0.094	0.942	0.415	0.686	0.590
	32.54	2.39	23.93	10.54	17.43	14.99
12	1.281	0.094	1.036	0.415	0.811	0.750
	32.54	2.39	26.32	10.54	20.60	19.05
14	1.281	0.094	1.130	0.415	0.936	0.875
	32.54	2.39	28.70	10.54	23.78	22.23
16	1.281	0.094	1.223	0.415	1.061	1.000
	32.54	2.39	31.07	10.54	26.95	25.40
18	1.281	0.094	1.317	0.415	1.186	1.125
	32.54	2.39	33.45	10.54	30.13	28.58
20	1.383	0.102	1.442	0.535	1.311	1.250
	35.13	2.59	36.63	13.59	33.30	31.75
22	1.383	0.102	1.567	0.535	1.436	1.375
	35.13	2.59	39.80	13.59	36.75	34.93
24	1.383	0.102	1.692	0.569 / 0.574	1.561	1.500
	35.13	2.59	42.98	14.45 / 14.58	39.65	38.10

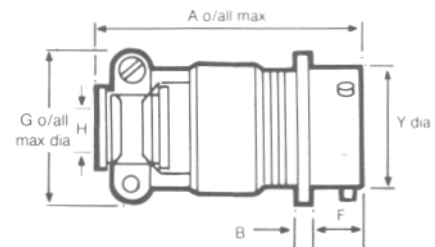
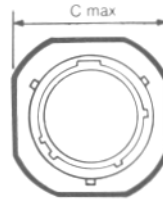
11F



62GB-11F

MIL-C-26482 MS3111F

Cable mounting receptacle with grommet and grommet nut fitted with integral strain relief clamp



Shell Size	A max	B ± 0.005 (± 0.13)	C max sq	F ± 0.005 (± 0.13)	G dia max	H ± 0.005 (± 0.13)	Y dia max
08	1.762	0.094	0.817	0.415	0.828	0.156	0.473
	44.75	2.39	20.75	10.54	21.03	3.96	12.03
10	1.762	0.094	0.942	0.415	0.891	0.188	0.590
	44.75	2.39	23.93	10.54	22.63	4.78	14.99
12	1.762	0.094	1.036	0.415	1.016	0.312	0.750
	44.75	2.39	26.32	10.54	25.81	7.93	19.05
14	1.736	0.094	1.130	0.415	1.141	0.375	0.875
	44.10	2.39	28.70	10.54	28.97	9.53	22.23
16	1.876	0.094	1.223	0.415	1.203	0.500	1.000
	47.65	2.39	31.07	10.54	30.56	12.7	25.40
18	1.876	0.094	1.317	0.415	1.426	0.625	1.125
	47.65	2.39	33.45	10.54	36.22	15.88	28.58
20	2.118	0.104 / 0.100	1.442	0.535	1.426	0.625	1.250
	53.80	2.64 / 2.55	36.63	13.59	36.22	15.88	31.75
22	2.118	0.104 / 0.100	1.567	0.535	1.567	0.750	1.375
	53.80	2.64 / 2.55	39.80	13.59	39.80	19.05	34.93
24	2.250	0.104 / 0.100	1.692	0.569 / 0.574	1.735	0.800	1.500
	57.15	2.64 / 2.55	42.98	14.45 / 14.58	44.07	20.32	38.10

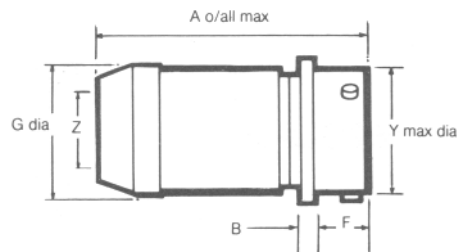
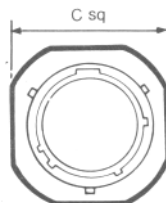
Cable Mounting Receptacles

11J



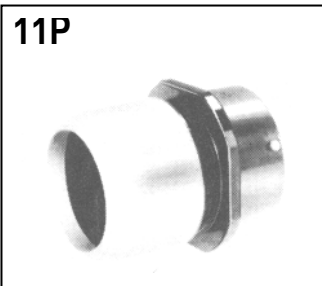
62GB-11J

With cable clamp for unscreened jacketed cable. No grommet supplied



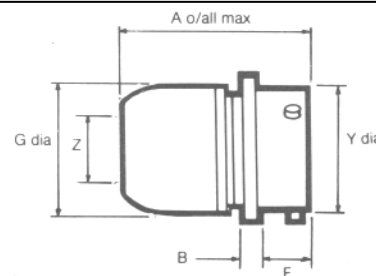
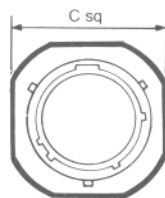
Shell Size	A max	B ± 0.005 (± 0.13)	C max sq	F ± 0.005 (± 0.13)	G dia max	Y dia max	min closed	Z max free
08	1.846	0.094	0.817	0.415	0.561	0.473	0.168	0.230
	46.89	2.39	20.75	10.54	14.25	12.03	4.28	5.84
10	1.846	0.094	0.942	0.415	0.686	0.590	0.205	0.312
	46.89	2.39	23.93	10.54	17.43	14.99	5.21	7.93
12	1.947	0.094	1.036	0.415	0.811	0.750	0.338	0.442
	49.45	2.39	26.32	10.54	20.60	19.05	8.59	11.23
14	2.147	0.094	1.130	0.415	0.936	0.875	0.416	0.539
	54.54	2.39	28.70	10.54	23.78	22.23	10.57	13.69
16	2.347	0.094	1.223	0.415	1.061	1.000	0.550	0.616
	59.61	2.39	31.07	10.54	26.95	25.40	13.97	15.65
18	2.547	0.094	1.317	0.415	1.186	1.125	0.600	0.672
	64.70	2.39	33.45	10.54	30.13	28.58	15.24	17.07
20	2.831	0.102	1.442	0.535	1.311	1.250	0.635	0.747
	71.91	2.59	36.63	13.59	33.30	31.75	16.13	18.98
22	3.031	0.102	1.567	0.535	1.436	1.375	0.670	0.846
	76.99	2.59	39.80	13.59	36.75	34.93	17.02	21.49
24	3.074	0.102	1.692	0.569 / 0.574	1.561	1.500	0.740	0.894
	78.03	2.59	42.98	14.45 / 14.58	39.65	38.10	18.80	22.71

11P



**62GB-11P
MIL-C-26482 MS3111P**

For potted seal supplied complete with detachable potting mould and location ring

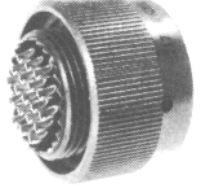
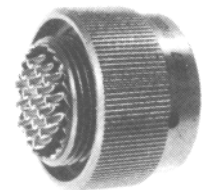
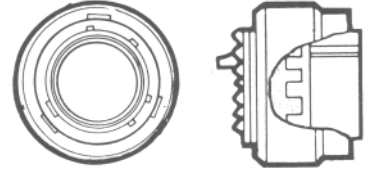
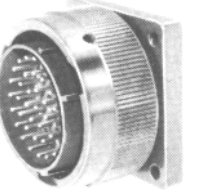


Shell Size	A max	8 ± 0.005 (± 0.13)	C max sq	F ± 0.005 (± 0.13)	G dia max	Y dia max	Z min
08	1.316	0.094	0.817	0.415	0.572	0.473	0.260
	33.43	2.39	20.75	10.54	14.53	12.03	6.60
10	1.425	0.094	0.942	0.415	0.666	0.590	0.463
	36.20	2.39	23.93	10.54	16.92	14.99	11.76
12	1.394	0.094	1.036	0.415	0.822	0.750	0.557
	35.41	2.39	26.32	10.54	20.88	19.05	14.15
14	1.394	0.094	1.130	0.415	0.907	0.875	0.590
	35.41	2.39	28.70	10.54	23.04	22.23	14.99
16	1.394	0.094	1.223	0.415	1.040	1.000	0.713
	35.41	2.39	31.07	10.54	26.42	25.40	18.11
18	1.394	0.094	1.317	0.415	1.165	1.125	0.835
	35.41	2.39	33.45	10.54	29.59	28.58	22.21
20	1.612	0.102	1.442	0.535	1.285	1.250	1.015
	40.95	2.59	36.63	13.59	32.64	31.75	25.78
22	1.612	0.102	1.567	0.535	1.400	1.375	1.015
	40.95	2.59	39.80	13.59	35.56	34.93	25.78
24	1.674	0.102	1.692	0.569 / 0.574	1.540	1.500	1.265
	42.52	2.59	42.98	14.45 / 14.58	39.12	38.10	32.13

Plugs

Table of Styles


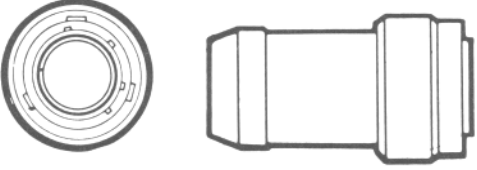
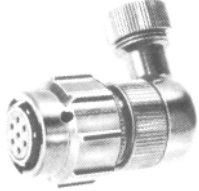
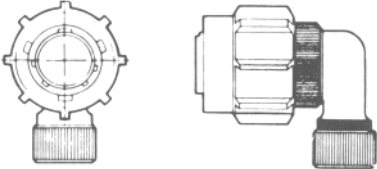
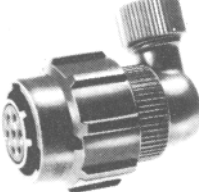
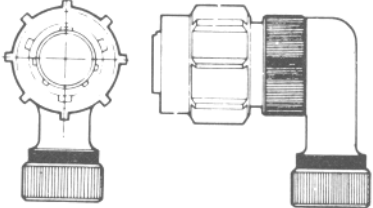
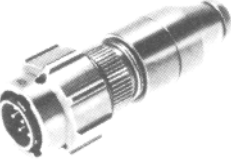
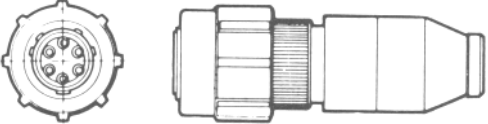

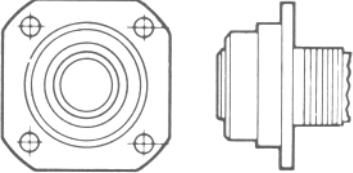
Page No.

62GB-56T			34
62GB-56TG			34
62GB-16A			35
62GB-56T (046)			35
62GB-16E			36
62GB-16F			36
62GB-16P			37

Plugs

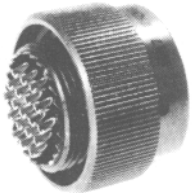
Table of Styles

Page No.

62GB-16J			37
62GB-5039-10			38
62GB-5055-10			38
62GB-5056-10			38
62GB-5074			39

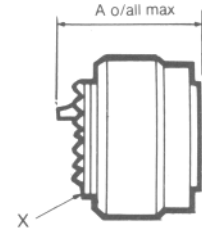
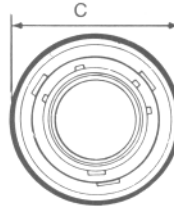
Plugs

56T



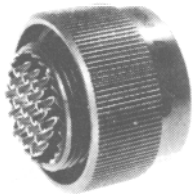
62GB-56T

Basic plug with threaded shell to accept standard cable accessories



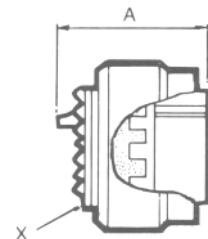
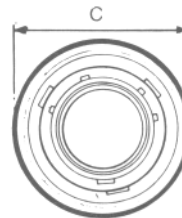
Shell Size	A Max	C max	X Thread
08	0.976 24.79	0.750 19.05	7/16 - 28 UNEF
10	0.976 24.79	0.859 21.82	9/16 - 24 NEF
12	0.976 24.79	1.031 26.19	11/16 -24NEF
14	0.976 24.79	1.156 29.36	13/16 - 20 UNEF
16	0.976 24.79	1.281 32.54	15/16 - 20 UNEF
18	0.976 24.79	1.391 35.33	1.1 /16 - 18 NEF
20	0.976 24.79	1.531 38.89	1.3/16 - 18 NEF
22	0.976 24.79	1.656 42.06	1.5/16 - 18 NEF
24	0.976 24.79	1.777 45.14	1.7/16 - 18 NEF

56TG



62GB-56TG

Basic plug with threaded shell to accept standard cable accessories. Has shell grounding spring fingers



Shell Size	A max	C max	X Thread
08	0.976 24.79	0.750 19.05	7/16 - 28 UNEF
10	0.976 24.79	0.859 21.82	9/16 - 24 NEF
12	0.976 24.79	1.031 26.19	11/16 - 24 NEF
14	0.976 24.79	1.156 29.36	13/16 - 20 UNEF
16	0.976 24.79	1.281 32.54	15/16 - 20 UNEF
18	0.976 24.79	1.391 35.33	1.1 /16 - 18 NEF
20	0.976 24.79	1.531 38.89	1.3/16 - 18 NEF
22	0.976 24.79	1.656 42.06	1.5/16 - 18 NEF
24	0.976 24.79	1.777 45.14	1.7/16 - 18 NEF

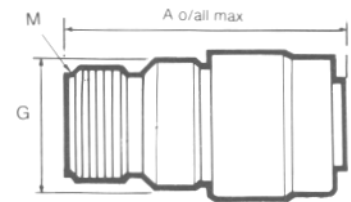
Plugs

16A



62GB-1 6A

Plug with general duty back shell.
No grommet provided.



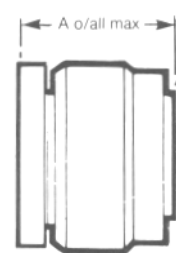
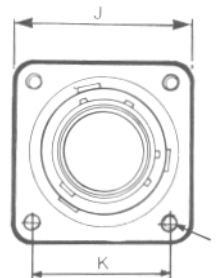
Shell Size	A max	C max	G max	M Thread
08	1.614	0.750	0.561	1/2 - 28 UNEF
	41.00	19.05	14.25	
10	1.614	0.859	0.686	5/8 - 24 NEF
	41.00	21.82	17.43	
12	1.614	1.031	0.811	3/4 - 20 UNEF
	41.00	26.19	20.60	
14	1.614	1.156	0.936	7/8 - 20 UNEF
	41.00	29.36	23.78	
16	1.614	1.281	1.061	1 - 20 UNEF
	41.00	32.54	26.95	
18	1.614	1.391	1.186	1.3/16 - 18 NEF
	41.00	35.33	30.13	
20	1.614	1.531	1.311	1.3/16 - 18 NEF
	41.00	38-89	33.30	
22	1.614	1.656	1.436	1.7/16 - 18 NEF
	41.00	42.06	36.75	
24	1.658	1.777	1.561	1.7116 - 18 NEF
	42.11	45.14	39.65	

56T



62GB-56T(046)

Box-mounting plug. Available for shell size 16:
other sizes to special order. Cable accessories
cannot be fitted.



Shell Size	A max	J max	K	L
16	1.042	1.317	1.000	6.32 NC
	26.47	33.45	25.40	
20	1.042	1.625	1.250	6.32 NC
	26.47	41.28	31.75	
22	1.042	1.625	1.250	6.32 NC
	26.47	41.28	31.75	

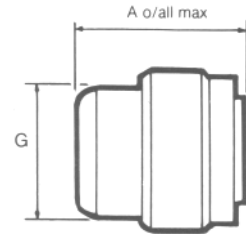
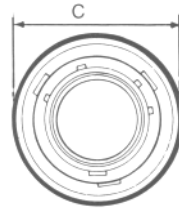
Plugs



16E

62GB-16E
MIL - C26482 MS3116E

Plug with grommet and grommet nut



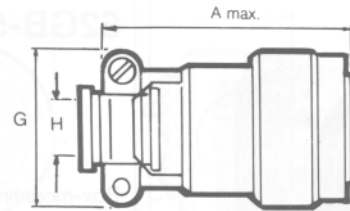
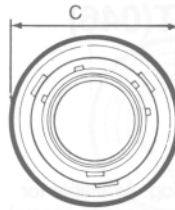
Shell Size	A max	C max	G max
08	1.281	0.750	0.561
	32.54	1.05	14.25
10	1.281	0.859	0.686
	32.54	21.82	17.431
12	1.281	1.031	0.811
	32.54	26.19	20.60
14	1.281	1.156	0.936
	32.54	29.36	23.78
16	1.281	1.281	1.061
	32.54	32.54	26.95
18	1.281	1.391	1.186
	32.54	35.33	30.13
20	1.281	1.531	1.311
	32.54	38.89	33.30
22	1.281	1.656	1.436
	32.54	42.06	36.75
24	1.281	1.777	1.561
	32.54	45.14	39.65



16F

62GB-16F
MIL - C26482 MS3116F

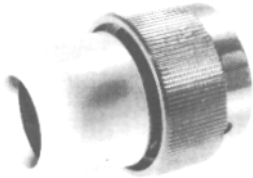
Plug with grommet and grommet nut fitted with integral strain relief clamp.



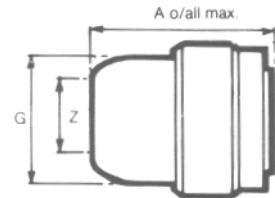
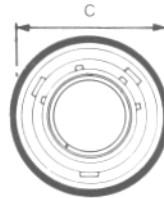
Shell Size	A max	C dia max	G dia max	H ± 0.005 (± 0.13)
08	1.752	0.750	0.828	0.156
	44.50	19.05	21.03	3.96
10	1.752	0.859	0.891	0.188
	44.50	21.82	22.63	4.78
12	1.752	1.031	1.016	0.312
	44.50	26.19	25.81	7.93
14	1.726	1.156	1.141	0.375
	43.84	29.36	28.97	9.53
16	1.866	1.281	1.203	0.500
	47.40	32.54	30.56	12.70
18	1.866	1.391	1.426	0.625
	47.40	35.33	36.22	15.88
20	2.040	1.531	1.426	0.625
	51.81	38.89	36.22	15.88
22	2.040	1.656	1.567	0.750
	51.81	42.06	39.80	19.05
24	2.178	1.777	1.735	0.800
	55.32	45.14	44.07	20.32

Plugs

16P



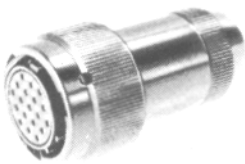
62GB-16P
MIL-C26482 MS3116P



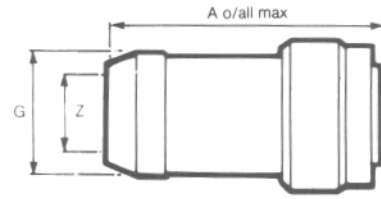
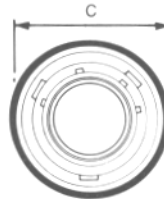
For potted seal. Supplied complete with detachable potting mould and location ring.

Shell Size	A max	C max	G max	Z min
08	1.306 33.17	0.750 19.05	0.572 14.53	0.260 6.60
10	1.415 35.94	0.859 21.82	0.666 16.92	0.463 11.76
12	1.384 35.15	1.031 26.19	0.822 20.88	0.557 14.14
14	1.384 35.15	1.156 29.36	0.907 23.04	0.590 14.99
16	1.384 35.15	1.281 32.54	1.040 26.41	0.713 18.11
18	1.384 35.15	1.391 35.33	1.165 29.59	0.835 22.21
20	1.539 39.09	1.531 38.89	1.285 32.64	1.015 25.78
22	1.539 39.09	1.656 42.06	1.400 35.56	1.015 25.78
24	1.602 40.69	1.777 45.14	1.540 39.12	1.265 32.13

16J



62GB - 16J



Plug with cable clamp for unscreened jacketed cable. No grommet supplied.

Shell Size	A max	C max	G max	Z min	Z max
08	1.836 46.64	0.750 19.05	0.561 14.25	0.168 4.28	0.230 5.84
10	1.836 46.64	0.859 21.82	0.686 17.43	0.205 5.21	0.312 7.93
12	1.937 49.20	1.031 26.19	0.811 20.60	0.388 8.59	0.442 11.23
14	2.137 54.28	1.156 29.36	0.936 23.78	0.416 10.57	0.539 13.69
16	2.337 59.36	1.281 32.54	1.061 26.95	0.550 13.97	0.616 15.65
18	2.537 64.45	1.391 35.33	1.186 30.13	0.600 15.24	0.672 17.07
20	2.758 70.05	1.531 38.89	1.311 33.30	0.635 16.13	0.747 18.98
22	2.958 75.13	1.656 42.06	1.436 36.75	0.670 17.02	0.846 21.49
24	3.002 76.25	1.777 45.14	1.561 39.65	0.740 18.80	0.894 22.71

Plugs

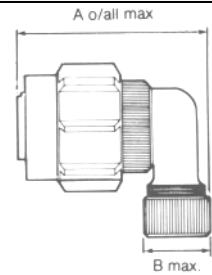
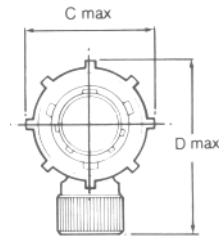
5039



62GB-5039-10

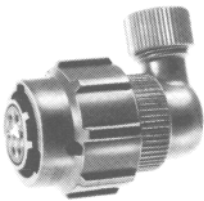
SD/C 235 155 - X
SD/C 235 156 - X

Low profile, solder termination plug with 90° screened cable outlet.



Shell Size	A max	B max	C max	D max
10	1.473 37.41	0.500 12.70	0.980 24.89	1.500 38.10

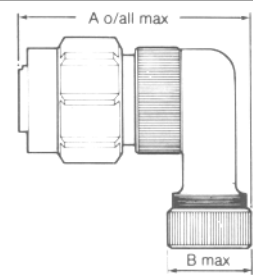
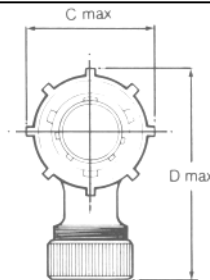
5055



62GB-5055-10

SD/2 235 193 - X

Low profile solder termination plug with size 12 90° screened cable outlet.



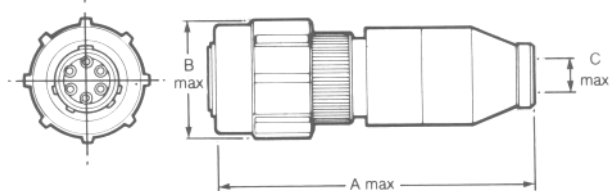
Shell Size	A max	B max	C max	D max
10	1.800 45.72	0.655 16.64	0.980 24.89	1.800 45.72

5056



62GB-5056-10

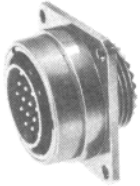
Audio plug with solder termination



Shell Size	A max	B max	C max
10	2.375 60.33	0.979 / 0.969 24.87 / 24.61	0.310 7.87

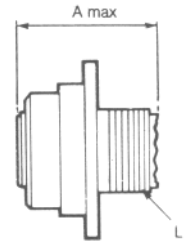
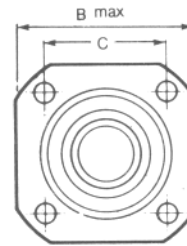
Plugs

5074



62GB-5074

Flange mounting push/pull plug with threaded shell to accept standard cable accessories.






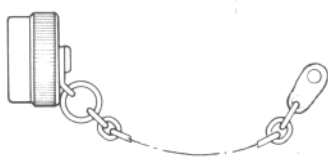



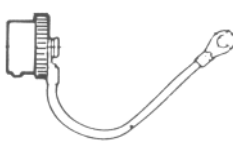

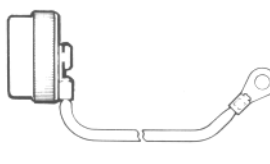




Shell Size	A max	B max	C	L
10	0.912	1.125	0.866	9/16 - 24 NEF
	23.17	28.57	22.00	
12	0.912	1.218	0.969	9/16 - 24 NEF
	23.17	30.93	24.61	
14	0.912	1.312	1.062	9/16 - 24 NEF
	23.17	33.32	26.97	

Accessories

Table of Styles

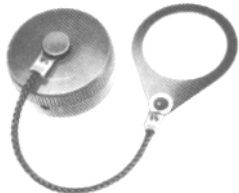
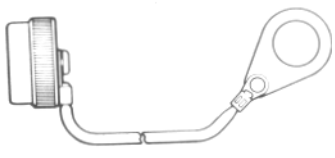





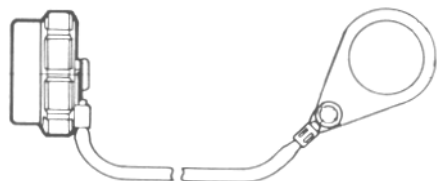


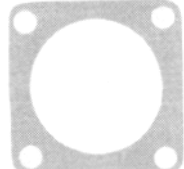
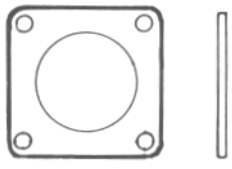
Page No.

62GB-736			42
62GB-737			42
62GB-738			43
62GB-742			43
62GB-810			44
62GB-812			44
62GB-813			45

Accessories

Table of Styles

Page No.

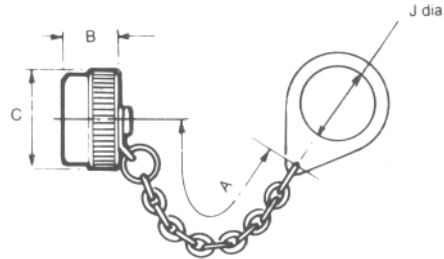
62GB-814			45
62GB-997			46
62GB-998			46
62GB-1069			47
62GB-1070			47
62GB-760			48

Accessories

736



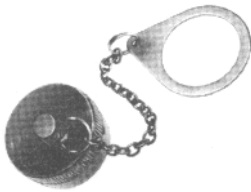
62GB-736



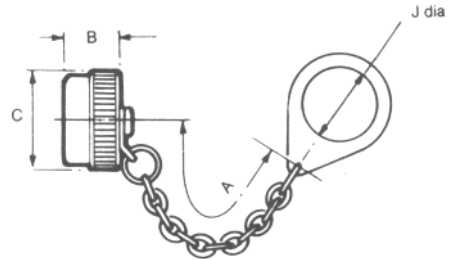
Caps and chains for single hole mounting receptacles

Shell Size	A ± 0.25 (± 6.35)	B ± 0.005 (± 0.13)	C dia max	J ± 0.005 (± 0.127)
08	3.0	0.521	0.734	0.578
	76.2	13.23	18.64	14.68
10	3.0	0.521	0.859	0.703
	76.2	13.23	21.82	17.86
12	3.5	0.521	1.000	0.891
	88.9	13.23	25.4	22.63
14	3.5	0.521	1.125	1.016
	88.9	13.23	28.57	25.81
16	3.5	0.521	1.250	1.141
	88.9	13.23	31.75	29.39
18	3.5	0.521	1.375	1.266
	88.9	13.23	34.92	32.16
20	4.0	0.521	1.500	1.391
	101.6	13.23	38.1	35.33
22	4.0	0.521	1.625	1.516
	101.6	13.23	41.27	38.51
24	4.0	0.556	1.750	1.641
	101.6	14.12	44.45	41.68

737



62GB-737



Caps and chains for cable mounting receptacles.

Shell Size	A ± 0.25 (± 6.35)	B ± 0.005 (± 0.13)	C dia max	J ± 0.005 (± 0.127)
08	3.0	0.521	0.734	0.458
	76.2	13.23	18.64	11.63
10	3.0	0.521	0.859	0.583
	76.2	13.23	21.82	14.81
12	3.5	0.521	1.000	0.708
	88.9	13.23	25.4	17.98
14	3.5	0.521	1.125	0.896
	88.9	13.23	28.57	22.76
16	3.5	0.521	1.250	1.021
	88.9	13.23	31.75	25.93
18	3.5	0.521	1.375	1.146
	88.9	13.23	34.92	29.11
20	4.0	0.521	1.500	1.271
	101.6	13.23	38.1	32.28
22	4.0	0.521	1.625	1.396
	101.6	13.23	41.27	35.46
24	4.0	0.556	1.750	1.521
	101.6	14.12	44.45	38.63

Accessories



62GB-738

Caps and chains for flange mounting receptacles.

Shell Size	A ± 0.25 (± 6.35)	B ± 0.005 (± 0.13)	C dia max	J ± 0.005 (± 0.127)
08	3.0	0.521	0.734	0.125
	76.2	13.23	18.64	3.18
10	3.0	0.521	0.859	0.125
	76.2	13.23	21.82	3.18
12	3.5	0.521	1.000	0.125
	88.9	13.23	25.4	3.18
14	3.5	0.521	1.125	0.125
	88.9	13.23	28.57	3.18
16	3.5	0.521	1.250	0.125
	88.9	13.23	31.75	3.18
18	3.5	0.521	1.375	0.125
	88.9	13.23	34.92	3.18
20	4.0	0.521	1.500	0.125
	101.6	13.23	38.1	3.18
22	4.0	0.521	1.625	0.125
	101.6	13.23	41.27	3.18
24	4.0	0.556	1.750	0.152
	101.6	14.12	44.45	3.86



62GB-742

Caps and chains for plugs.

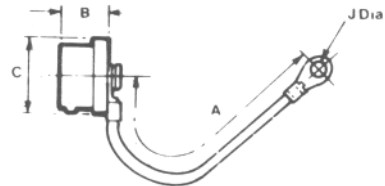
Shell Size	A ± 0.25 (± 6.35)	B ± 0.005 (± 0.13)	C dia max	J ± 0.005 (± 0.127)
08	3.0	0.522	0.719	0.125
	76.2	13.25	18.26	3.18
10	3.0	0.522	0.844	0.125
	76.2	13.25	21.43	3.18
12	3.5	0.522	1.000	0.125
	88.9	13.25	25.4	3.18
14	3.5	0.522	1.125	0.125
	88.9	13.25	28.57	3.18
16	3.5	0.522	1.250	0.125
	88.9	13.25	31.75	3.18
18	3.5	0.522	1.357	0.125
	88.9	13.25	34.92	3.18
20	4.0	0.584	1.500	0.125
	101.6	14.83	38.1	3.18
22	4.0	0.584	1.625	0.125
	101.6	14.83	41.27	3.18
24	4.0	0.617	1.750	0.152
	101.6	15.67	44.45	3.86

Accessories

810



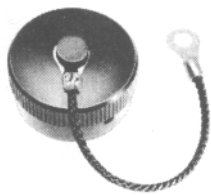
62GB-810



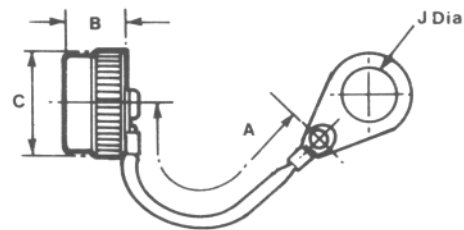
Caps and cords for plugs

Shell Size	A ± 0.25 (± 6.35)	B ± 0.005 (± 0.13)	C dia max	J ± 0.003 (± 0.08)
08	3.0	0.522	0.719	0.145
	76.2	13.25	18.26	3.68
10	3.0	0.522	0.844	3.685
	76.2	13.25	21.43	3.68
12	3.5	0.522	1.000	0.145
	88.9	13.25	25.4	3.68
14	3.5	0.522	1.125	0.145
	88.9	13.25	28.57	3.68
16	3.5	0.522	1.250	0.145
	88.9	13.25	31.75	3.68
18	3.5	0.522	1.375	0.145
	88.9	13.25	34.93	3.68
20	4.0	0.584	1.500	0.145
	101.6	14.83	38.1	3.68
22	4.0	0.584	1.625	0.145
	101.6	14.83	41.27	3.68
24	4.0	0.617	1.750	0.171
	101.6	15.67	44.45	4.34

812



62GB-812



Caps and cords for flange mounting receptacles.

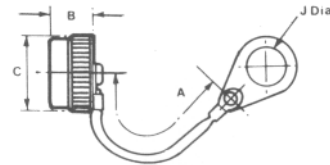
Shell Size	A ± 0.25 (± 6.35)	B ± 0.005 (± 0.13)	C dia max	J ± 0.003 (± 0.08)
08	3.0	0.521	0.734	0.145
	76.2	13.23	18.64	3.68
10	3.0	0.521	0.859	0.145
	76.2	13.23	21.82	3.68
12	3.5	0.521	1.000	0.145
	88.9	13.23	25.4	3.68
14	3.5	0.521	1.125	0.145
	88.9	13.23	28.57	3.68
16	3.5	0.521	1.250	0.145
	88.9	13.23	31.75	3.68
18	3.5	0.521	1.375	0.145
	88.9	13.23	34.92	3.68
20	4.0	0.521	1.500	0.145
	101.6	13.23	38.1	3.68
22	4.0	0.521	1.625	0.145
	101.6	13.23	41.27	3.68
24	4.0	0.556	1.750	0.171
	101.6	14.12	44.45	4.34

Accessories

813



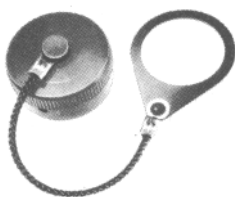
62GB-813



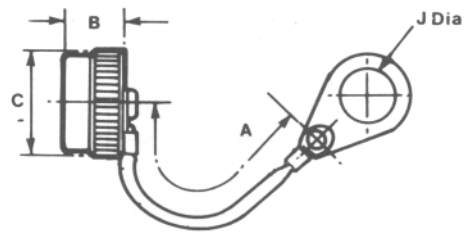
Caps and cords for single hole mounting receptacles.

Shell Size	A ± 0.25 (± 6.35)	B ± 0.005 (± 0.13)	C max	J + 0.010 (+ 0.25)
08	3.0	0.521	0.734	0.578
	76.2	13.23	18.64	14.68
10	3.0	0.521	0.859	0.703
	76.2	13.23	21.82	17.86
12	3.5	0.521	1.000	0.891
	88.9	13.23	25.4	22.63
14	3.5	0.521	1.125	1.016
	88.9	13.23	28.57	25.81
16	3.5	0.521	1.250	1.141
	88.9	13.23	31.75	29.39
18	3.5	0.521	1.375	1.266
	88.9	13.23	34.92	32.16
20	4.0	0.521	1.500	1.391
	101.0	13.23	38.1	35.33
22	4.0	0.521	1.625	1.516
	101.6	13.23	41.27	38.56
24	4.0	0.556	1.750	1.641
	101.6	14.12	44.45	41.68

814



62GB-814



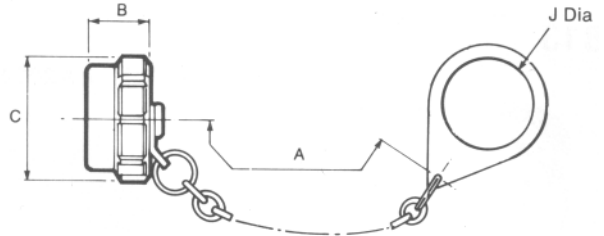
Caps and cords for cable mounting receptacles.

Shell Size	A ± 0.25 (± 6.35)	B ± 0.005 (± 0.13)	C max	J + 0.010 (+ 0.25)
08	3.0	0.521	0.734	0.453
	76.2	13.23	18.64	11.50
10	3.0	0.521	0.859	0.578
	76.2	13.23	21.82	14.64
12	3.5	0.521	1.000	0.703
	88.9	13.23	25.4	17.85
14	3.5	0.521	1.125	0.891
	88.9	13.23	28.57	22.63
16	3.5	0.521	1.250	1.016
	88.9	13.23	31.75	25.80
18	3.5	0.521	1.375	1.141
	88.9	13.23	34.92	28.98
20	4.0	0.521	1.500	1.266
	101.6	13.23	38.1	32.15
22	4.0	0.521	1.625	1.391
	101.6	13.23	41.27	35.33
24	4.0	0.556	1.750	1.516
	101.6	14.12	44.45	38.50

Accessories



62GB-997

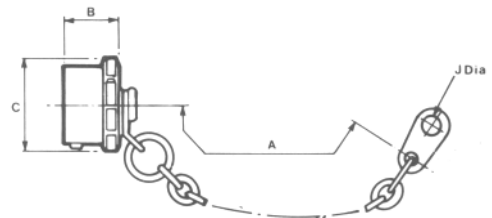


Caps and chains ribbed for single hole mounting receptacles.

Shell Size	A ± 0.25 (± 6.35)	B ± 0.005 (± 0.13)	C dia max	J + 0.010 (+ 0.25)
08	3.0 76.2	0.521 13.23	0.892 22.66	0.578 14.69
10	3.0 76.2	0.521 13.23	1.017 26.84	0.703 17.86
12	3.5 88.9	0.521 13.23	1.142 29.01	0.891 22.64
14	3.5 88.9	0.521 13.23	1.267 32.19	1.016 25.81
16	3.5 88.9	0.521 13.23	1.454 36.94	1.141 28.99
18	3.5 88.9	0.521 13.23	1.563 39.70	1.266 32.16
20	4.0 101.6	0.521 13.23	1.687 42.85	1.391 35.34
22	4.0 101.6	0.521 13.23	1.797 45.65	1.516 38.51
24	4.0 101.6	0.556 14.12	1.922 48.82	1.641 41.69



62GB-998



Caps and chains ribbed for plugs.

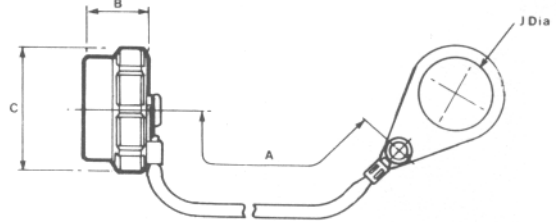
Shell Size	A ± 0.25 (± 6.35)	g max	C dia max	J ± 0.005 (± 0.13)
08	3.0 76.2	0.562 14.28	0.892 22.66	0.125 3.18
10	3.0 76.2	0.562 14.28	1.017 25.84	0.125 3.18
12	3.5 88.9	0.562 14.28	1.142 29.01	0.125 3.18
14	3.5 88.9	0.562 14.28	1.267 32.19	0.125 3.18
16	3.5 88.9	0.562 14.28	1.454 36.94	0.125 3.18
18	3.5 88.9	0.562 14.28	1.563 39.70	0.125 3.18
20	4.0 101.6	0.624 15.85	1.687 42.85	0.125 3.18
22	4.0 101.6	0.624 15.85	1.797 45.65	0.125 3.18
24	4.0 101.6	0.624 15.85	1.922 48.82	0.147 3.74

Accessories

1069



62GB-1069



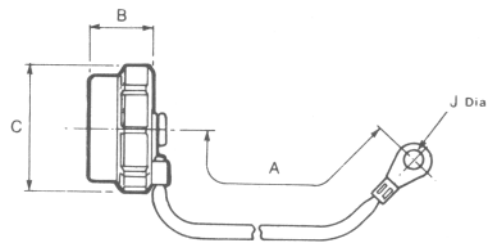
Caps and cords ribbed for single hole mounting receptacles.

Shell Size	A ± 0.25 (± 6.35)	B ± 0.005 (± 0.13)	C dia max	J + 0.010 (+ 0.25)
08	3.0	0.521	0.892	0.578
	76.2	13.23	22.66	14.69
	8.0	0.521	1.017	0.703
10	76.2	13.23	26.84	17.86
	3.5	0.521	1.142	0.891
12	88.9	13.23	29.01	22.64
	3.5	0.521	1.267	1.016
14	88.9	13.23	32.19	25.81
	3.5	0.521	1.454	1.141
16	88.9	13.23	36.94	28.99
	3.5	0.521	1.563	1.266
18	88.9	13.23	39.70	32.16
	4.0	0.521	1.687	1.391
20	101.6	13.23	42.85	35.34
	4.0	0.521	1.797	1.516
22	101.6	13.23	45.65	38.51
	4.0	0.556	1.922	1.641
24	101.6	14.12	48.82	41.686

1070



62GB-1070

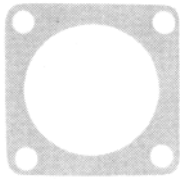


Caps and cords ribbed for flange mounting receptacles.

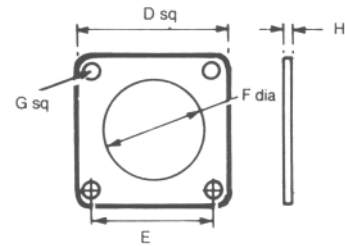
Shell Size	A ± 0.25 (± 6.35)	B ± 0.005 (± 0.13)	C Dia max	J ± 0.005 (± 0.13)
08	3.0	0.521	0.892	0.117
	76.2	13.23	22.66	3.03
	3.0	0.521	1.017	0.119
10	76.2	13.23	22.66	3.03
	3.5	0.521	1.142	0.119
12	88.9	13.23	29.01	3.03
	3.5	0.521	1.267	0.119
14	88.9	13.23	32.19	3.03
	3.5	0.521	1.454	0.119
16	88.9	13.23	36.94	3.03
	3.5	0.521	1.563	0.119
18	88.9	13.23	39.70	3.03
	4.0	0.521	1.687	0.119
20	101.6	13.23	42.85	3.03
	4.0	0.521	1.797	0.119
22	101.6	13.23	45.65	3.03
	4.0	0.556	1.922	0.147
24	101.6	14.12	48.82	3.74

Accessories

760



62GB-760






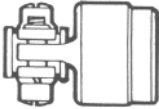



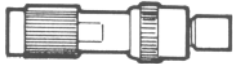

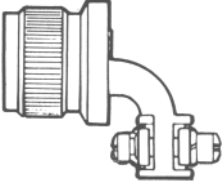

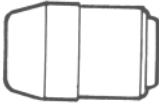

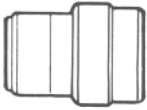
Flange mounting gasket for box mounting and hermetic receptacles.

Shell Size	0 ± 0.010 (± 0.254)	E ± 0.010 (± 0.254)	F ± 0.008 (± 0.20)	G + 0.010 (+ 0.254)	H
08	0.812	0.594	0.508	0.130	0.042 / 0.016
	20.62	15.08	12.90	3.30	1.06 / 0.40
10	0.938	0.719	0.633	0.130	0.042 / 0.016
	23.82	18.26	16.07	3.30	1.06 / 0.40
12	1.031	0.813	0.758	0.130	0.042 / 0.016
	26.18	20.65	19.25	3.30	1.06 / 0.40
14	1.125	0.906	0.883	0.130	0.042 / 0.016
	28.57	23.01	22.42	3.30	1.06 / 0.40
16	1.219	0.969	1.008	0.130	0.042 / 0.016
	30.96	24.61	25.60	3.30	1.06 / 0.40
18	1.312	1.063	1.133	0.130	0.042 / 0.016
	33.32	27.00	28.77	3.30	1.06 / 0.40
20	1.438	1.156	1.258	0.130	0.042 / 0.016
	36.52	29.36	31.95	3.30	1.06 / 0.40
22	1.563	1.250	1.383	0.130	0.042 / 0.016
	39.70	31.75	35.13	3.30	1.06 / 0.40
24	1.688	1.375	1.508	0.156	0.042 / 0.016
	42.87	34.92	38.30	3.96	1.06 / 0.40

Cable Accessories

Table of Styles


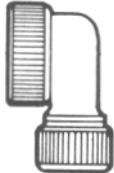

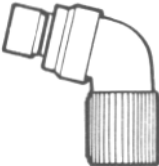
Page No.

62GB-584			51
62GB-585			51
62GB-586			52
62GB-587			52
62GB-711			53
62GB-720			53
62GB-776			54

Cable Accessories

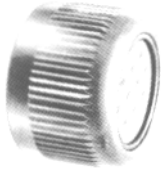
Table of Styles

Page No.

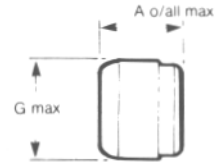
62GB-1225			54
62GB-5028			55

Cable Accessories

584



62GB - 584 - XX - XXS or P



Grommet seal and nut. Provides an environmental seal for the exposed solder buckets in the open back class T shells.

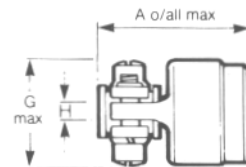
Suffix XX - XXS or P enables grommet to be matched to the insert arrangement.

Shell Size	A	G max
08	0.545	0.561
	13.84	14.25
10	0.545	0.686
	13.84	17.43
12	0.545	0.811
	13.84	20.60
14	0.545	0.936
	13.84	23.78
16	0.545	1.061
	13.84	26.95
18	0.545	1.186
	13.84	30.13
20	0.545	1.311
	13.84	33.30
22	0.545	1.436
	13.84	36.75
24	0.501	1.561
	12.73	39.65

585



**62G B - 585 - XX - XXS or P
A2103**



Grommet and nut with strain relief clamp. The clamp prevents the flexing of the wires in the immediate vicinity of the risers, so avoiding the risk of leaks.

Suffix XX - XXS or P enables grommet to be matched to the insert arrangement.

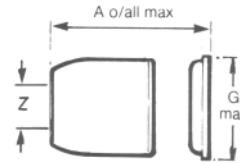
Shell Size	A max	G max	max
08	0.991	0.828	0.161
	25.17	21.03	4.09
10	0.991	0.891	0.193
	25.17	22.63	4.90
12	0.991	1.016	0.317
	25.17	25.81	8.05
14	0.965	1.141	0.380
	24.51	28.98	9.65
16	1.105	1.203	0.505
	28.07	30.56	12.83
18	1.105	1.426	0.630
	28.07	36.22	16.00
20	1.285	1.426	0.630
	32.64	36.22	16.00
22	1.285	1.567	0.755
	32.64	39.80	19.18
24	1.373	1.735	0.805
	34.88	44.07	20.45

Cable Accessories



62G B - 586 - XX

Potting mould and ring,
supplied together as a set.



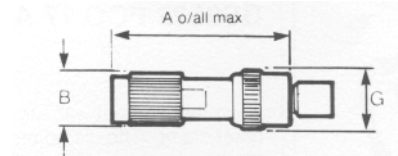
Suffix XX specifies shell size.

Shell Size	A max	G max	Z min
08	0.644 16.36	0.585 14.85	0.260 6.60
10	0.753 19.13	0.679 17.24	0.463 11.76
12	0.722 18.34	0.835 21.20	0.557 14.14
14	0.722 18.34	0.913 23.19	0.590 14.98
16	0.722 18.34	1.038 26.36	0.713 18.11
18	0.722 18.34	1.163 29.54	0.835 21.20
20	0.877 22.30	1.288 32.71	1.015 25.78
22	0.877 22.30	1.413 35.89	1.015 25.78
24	0.896 22.76	1.538 39.06	1.263 32.08



62G B - 587 - XX - XXS or P

Clamp for screened jacketed cable. 62 Series only with grommet. Effective sealing is provided over the range of cables covered by DEF 10(Pattern C) and DEF STAN 61-12 port (see table). These are supplied to separate order only for use with style T shells.



Suffix XX-XXS or P enables grommet to be matched to the insert arrangement.

Shell Size	length Including plug	A Max	length Including receptacle	B max	G max
08	2.732 69.39		2.742 69.64	0.676 17.17	0.775 19.68
10	2.742 69.64		2.752 69.90	0.676 17.17	0.902 22.91
12	3.152 80.06		3.162 80.31	0.812 20.62	1.030 26.16
14	3.152 80.06		3.162 80.31	0.926 23.52	1.157 29.39
16	3.272 83.10		3.282 83.36	1.051 26.67	1.284 32.61
18	-		-	-	-
20	3.272 83.10		3.345 84.96	1.280 32.51	1.539 39.09
22	-		-	-	-
24	3.696 93.87		3.768 95.70	1.620 41.15	1.783 45.29

Cable Accessories

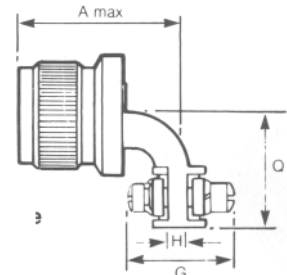
711



62G B - 711 - XX - XXS or P

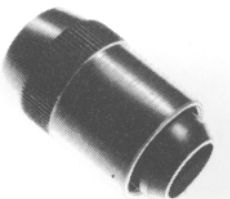
Grommet and nut with right angled strain relief clamp. The clamp prevents flexing of the wires in the immediate vicinity of the risers, so avoiding the risk of leaks (these are supplied to separate order only for use with style T shells).

Suffix XX - XXS or P enables grommet to be matched to the insert arrangement.



Shell Size	A max	G max	H ± 0.005 ± 0.13	Q max
08	1.5/32	0.828 21.03	0.161 4.09	0.733 18.62
10	1.3/16	0.891 22.63	0.193 4.90	0.795 20.19
12	1.7/32	1.016 25.81	0.317 8.05	0.858 21.79
14	1.1/4	1.141 28.98	0.380 9.65	0.915 23.24
16	1.5/16	1.203 30.56	0.505 12.83	1.010 25.65
18	1.3/8	1.426 36.22	0.630 16.00	1.070 27.18
20	1.3/8	1.426 36.22	0.630 16.00	1.140 28.96
22	1.29/64	1.567 39.80	0.755 19.18	1.170 29.72
24	1.15/32	1.735 44.07	0.805 20.45	1.260 32.00

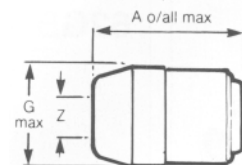
720



62G B - 720 - XX

Clamp for unscreened jacketed cable. No grommet is supplied, for use with 50T, 51T and 56T styles.

Suffix XX specifies shell size.



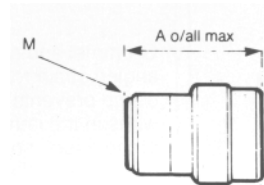
Shell Size	A max	G max	Z closed	Z free
08	1.085 27.56	0.561 14.25	0.168 4.28	0.230 5.84
10	1.060 26.92	0.686 17.43	0.205 5.21	0.312 7.93
12	1.160 29.46	0.811 20.60	0.338 8.59	0.442 11.23
14	1.360 34.54	0.936 23.78	0.416 10.57	0.539 13.69
16	1.585 40.26	1.061 26.95	0.550 13.97	0.616 15.65
18	1.785 45.34	1.186 30.13	0.600 15.24	0.672 17.57
20	1.981 50.32	1.311 33.30	0.635 16.13	0.747 18.98
22	2.181 55.39	1.436 36.75	0.670 17.02	0.846 21.49
24	2.216 56.28	1.561 39.65	0.740 18.80	0.894 22.71

Cable Accessories

776



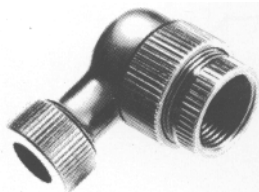
62GB - 776



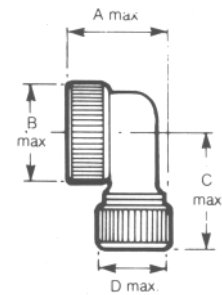
General duty shell to accept conduit, AN 3057 or MS 3057 A cable clamps and heat shrink sleeves.

Shell Size	A max	M Thread
08	0.937 23.80	1/2 - 28 UNEF
10	0.937 23.80	5/8 - 24 NEF
12	0.937 23.80	3/4 - 20 UNEF
14	0.937 23.80	7/8 - 20 UNEF
16	0.937 23.80	1 - 20 UNEF
18	0.937 23.80	1.3/16 - 18 NEF
20	0.937 23.80	1.3/16 - 18 NEF
22	0.937 23.80	1.7/16 - 18 NEF
24	0.937 23.80	1.7/16 - 18 NEF

1225



62GB - 1225



90 clamp for screened jacketed cable. These are supplied to separate order only for use with style T shells.

Shell Size	A max	B max	C max	D max
08	0.942 23.93	0.821 20.85	1.160 29.46	0.636 16.15
10	0.883 22.43	0.821 20.85	1.160 29.46	0.636 16.15
12	0.704 17.88	0.821 20.85	1.160 29.46	0.636 16.15
14	1.119 28.42	0.937 23.80	1.160 29.46	0.636 16.15

Cable Accessories

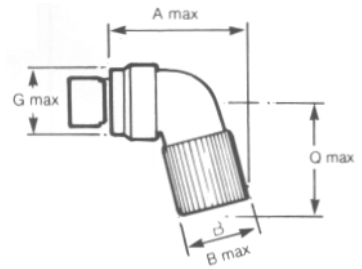
5028



62G B - 5028 - XX - XXS or P

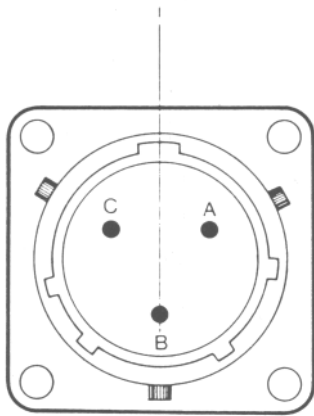
75% Clamp for screened jacketed cable with grommet. Effective sealing is provided over the range of cables covered by DEF 10 (Pattern C) and DEF STAN 61 - 12 part 5 (see table). These are supplied to separate order only and are intended for use with style T shells.

Suffix XX-XXS or P enables grommet to be matched to the insert arrangement.

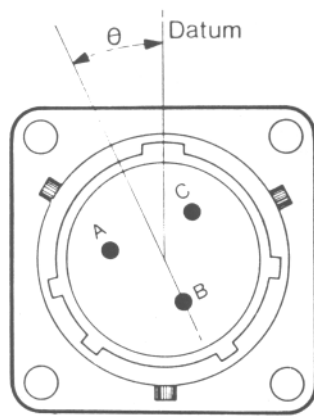


Shell Size	length including receptacle	A Max	length including plug	B max	G max	max
08	2.416		2.375	0.676	0.775	1.750
	61.37		60.24	17.17	19.68	44.45
10	2.573		2.532	0.676	0.902	1.875
	65.35		64.39	17.17	22.91	47.63
12	2.666		2.625	0.812	1.030	2.125
	67.72		66.68	20.62	26.16	53.98
14	2.760		2.719	0.926	1.157	2.125
	70.10		69.04	23.52	29.39	53.98
16	2.790		2.750	1.051	1.284	2.062
	70.87		69.80	26.70	32.61	52.38
18	-		-	-	-	-
20	3.312		3.250	1.280	1.539	2.062
	84.13		82.55	32.51	39.09	52.38
22	-		-	-	-	-
24	3.500		3.375	1.620	1.783	2.187
	88.90		85.73	41.15	45.29	55.55

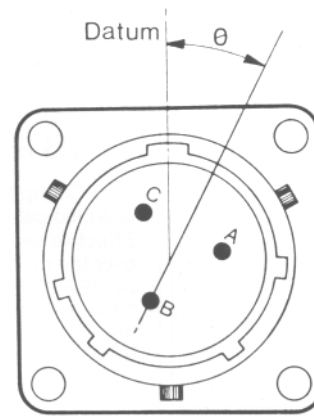
Insert Orientations



Normal position
with pin contacts



Alternative position of insert
with socket contacts
(∅ counter clockwise)

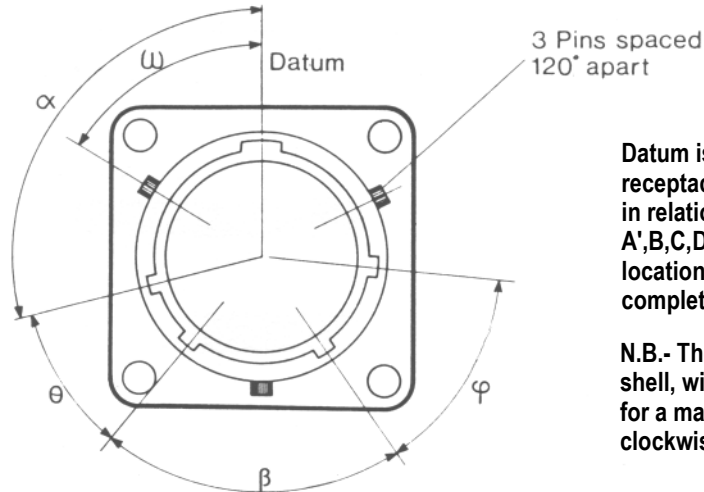


Alternate position of insert
with pin contacts
(∅ clockwise)

Each diagram shows mating face of insert.

Insert Arrangement	Normal	Orientation ∅ (degrees)			
		W	X	Y	Z
8-2	0	58	122	-	-
8-3	0	60	210	-	-
8-33	0	90	-	-	-
8-4	0	45	-	-	-
8-98	0	-	-	-	-
10-2	0	-	-	-	-
10-6	0	90	-	-	-
10-7	0	-	-	-	-
12-3	0	-	-	180	-
12-10	0	60	155	270	295
14-5	0	40	92	184	273
14-12	0	43	90	-	-
14-15	0	17	110	155	234
14-19	0	30	165	315	-
16-18	0	54	152	180	331
16-23	0	158	270	-	-
16-26	0	60	-	275	338
18-11	0	62	119	241	340
18-32	0	85	138	222	265
20-16	0	238	318	333	347
20-41	0	45	126	225	-
22-21	0	16	135	175	349
22-55	0	30	142	226	314
24-61	0	90	180	270	324

Key/Keyway Orientations



Datum is always taken from major key or keyway. In receptacles the major keyway always remains fixed in relation to the mounting flange. For the A',B,C,D',E and F orientations, the three bayonet locations and associated minor keyways are rotated complete, in accordance with the table below.

N.B.- The accompanying diagram shows a receptacle shell, with keyways. Corresponding key orientations for a mating plug shell are therefore always clockwise.

Shell Size	Values for ω (degrees)							Values for θ (degrees)						Values for β (degrees)							
	N	A	B	C	D	E	F	N	A	B	C	D	E	F	N	A	B	C	D	E	F
8	105	92	-	-	118	118	82	35	35	-	-	35	30	50	75	75'	-	-	75	100	75
10	105	95	85	125	115	115	85	35	35	35	35	35	30	50	75	75	75	75	75	100	75
12	105	97	89	121	113	115	85	35	35	35	35	35	30	50	75	75	75	75	75	100	75
14	105	98	91	119	112	75	120	35	35	35	35	35	30	50	75	75	75	75	75	100	75
16	105	99	93	117	111	75	120	35	35	35	35	35	30	50	75	75	75	75	75	100	75
18	105	100	95	115	110	75	120	35	35	35	35	35	30	50	75	75	75	75	75	100	75
20	105	100	95	115	110	75	120	35	35	35	35	35	30	50	75	75	75	75	75	100	75
22	105	101	97	113	109	75	120	35	35	35	35	35	30	50	75	75	75	100	75	75	75
24	105	101	97	113	109	75	120	35	35	35	35	35	30	50	75	75	75	75	75	100	75

Shell Size	Values for ϕ (degrees) Orientation							Values for ω (degrees) Orientation						
	N	A	B	C	D	E	F	N	A	B	C	D	E	F
8	50	50	50	50	50	30	45	60	47	-	-	73	73	47
10	50	50	50	50	50	30	45	60	50	40	80	70	70	50
12	50	50	50	50	50	30	45	60	52	44	76	68	70	50
14	50	50	50	50	50	30	35	60	53	46	74	67	30	75
16	50	50	50	50	50	30	35	60	54	48	72	66	30	75
18	50	50	50	50	50	30	35	60	55	50	70	65	30	75
20	50	50	50	50	50	30	35	60	55	50	70	65	30	75
22	50	50	50	50	50	30	35	60	56	52	68	64	30	75
24	50	50	50	50	50	30	35	60	56	52	68	64	30	75

Assembly Instructions

for Amphenol straight S.J. clamps 62GB-587 for internally and externally screened and unscreened cables to DEF 10 and DEF STAN 61-12 Part 5.

Internally Screened Jacketed Cable 'Type C'

Cable and Wire Stripping

Strip the outer P.V.C. Jacket of the cable back to dim 'A' to expose the internal braid. Trim the braid back to within 19.05mm (0.75 in) of P.V.C. jacket and fold back 'B'.

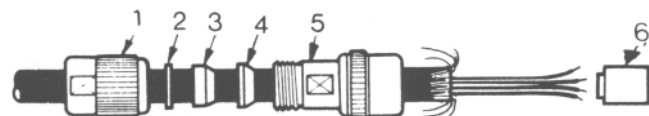
Size	A Dimension	
	mm	in
08	34.93	1.375
10	36.51	1.437
12 8 14	41.27	1.625
16 & 20	44.45	1.75
24	49.21	1.937

Strip 5.3mm (0.210 in) to 6.1 mm (0.240 in) of insulation from each wire to expose centre conductor. Tin the ends. If ends fray twist them back to their original lay before tinning.



Initial Assembly

Slide onto the cable the following items in this order (1) Nut (2) Washer (3) Gasket (4) Braid Clamp and (5) Clamp Body (6) Grommet.



Solder Connection to Contacts

Insert the individual wires into the appropriate grommet holes. At the same time, slide the grommet back as far as possible until the tinned ends of the centre conductors are far enough out of the grommet to permit soldering to the contacts. Insert the tinned ends of wires into the appropriate contacts in 62 series connector and solder into place. Slide the grommet forward over the wired contacts and press firmly into rear of connector shell and against rear face of insert.



Assembly Instructions

Externally Screened Jacketed Cable Types 'B' & 'Q'

Cable and Wire Stripping

Strip the outer braid and internal P.V.C. jacket of the cable back to dim 'A'

Size	A Dimension	
	mm	in
08	33.32	1.312
10	34.93	1.375
12 & 14	39.7	1.563
16 & 20	42.85	1.687
24	47.63	1.875

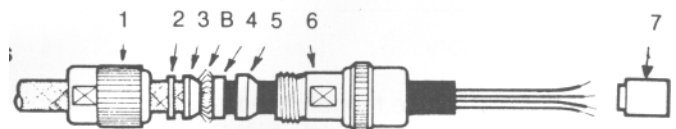


Strip 5.3mm (0.210 in) to 6.1 mm (0.240 in) of insulation from each wire to expose centre conductor. Tin the ends. If ends fray twist them back to their original lay before tinning.



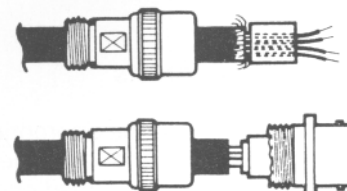
Initial Assembly

Slide onto the cable the following items in this order (1) Nut (2) Washer (3) Male Braid Clamp Convolute Screen (See B) as far as possible, and slide on items (4) Female Braid Clamp (5) Gasket and (6) Clamp Body (7) Grommet



Solder Connection to Contacts

Insert the individual wires into the appropriate grommet holes. At the same time, slide the grommet back as far as possible, until the tinned ends of the centre conductors are far enough out of the grommet to permit soldering to the contacts. Insert the tinned ends of wires into the appropriate contacts in 62 series connector and solder into place. Slide the grommet forward over the wired contacts and press firmly into the rear of connector shell and against rear face of insert.



Unscreened Jacketed Cables Type 'A'

All procedures concerning this type of cable to be as for internally screened jacketed cable, but all references to screen (Braid) to be disregarded.

Assembly Instructions

for Amphenol angled S.J. clamps 62GB-5028 for internally and externally screened and unscreened cables to DEF 10 and DEF STAN 61-12 Part 5.

Internally Screened Jacketed Cable Type 'C'

Cable and Wire Stripping

Strip the outer P.V.C. jacket of the cable back to dim 'A' to expose the internal braid. Trim the braid back to within 19.05mm (0.75 in) of P.V.C. jacket and fold back 'B'.

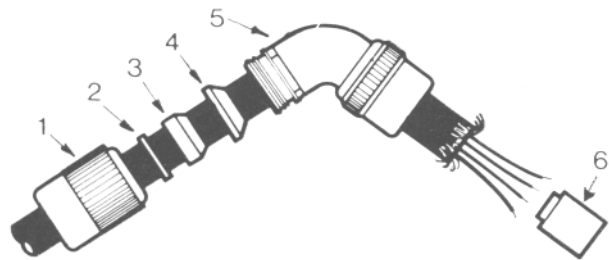
Size	A Dimension	
	mm	in
08	58.15	2.89
10,12,14	66.68	2.625
16	69.85	2.75
20	88.9	3.50
24	95.25	3.75



Strip 5.3mm (0.210 in) to 6.1 mm (0.240 in) of insulation from each wire to expose centre conductor. Tin the ends. If ends fray, twist them back to their original lay before tinning.

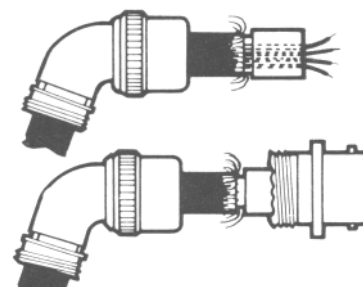
Initial Assembly

Slide onto the cable the following items in this order (1) Nut (2) Washer (3) Gasket (4) Braid Clamp (5) 75o Angled Body (6) Grommet.



Solder Connection to Contacts

Insert the individual wires into the appropriate grommet holes. At the same time, slide the grommet back as far as possible, until the tinned ends of the centre conductors are far enough out of the grommet to permit soldering to the contacts. Insert the tinned ends of wires into the appropriate contacts in 62 series connector and solder into place. Slide the grommet forward over the wired contacts and press firmly into the rear of the connector shell and against rear face of insert.



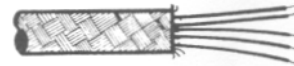
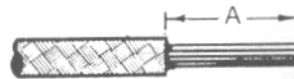
Assembly Instructions

Externally Screened Jacketed Cables Type `B' & `Q'

Cable and Wire Stripping

Strip the outer braid and internal P.V.C. jacket of the cable back to dim `A'.

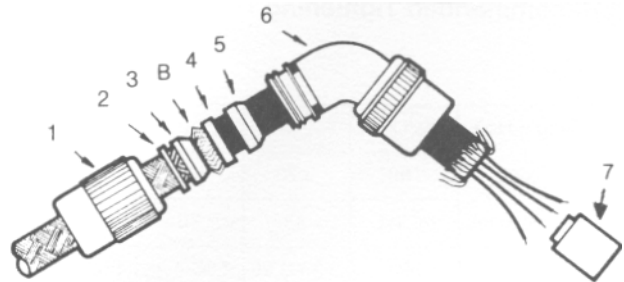
Size	A Dimension	
	mm	in
08	58.15	2.89
10,12,14	66.68	2.625
16	69.85	2.75
20	88.9	3.50
24	95.25	3.75



Strip 5.3mm (0.210 in) to 6.1 mm (0.240 in) of insulation from each wire to expose centre conductor Tin the ends. If ends fray, twist them back to their original lay before tinning.

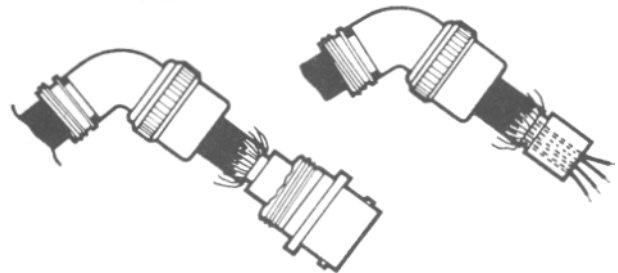
Initial Assembly

Slide onto the cable the following items in this order:(1) Nut (2) Washer (3) Male Braid Clamp - Convolute Screen (See B) as far as possible and slide on items:(4) Female Braid Clamp (5) Gasket (6) 75o Right Angled Body (7) Grommet.



Solder Connection to Contacts

Insert the individual wires into the appropriate grommet holes. At the same time, slide the grommet back as far as possible, until the tinned ends of the centre conductors are far enough out of the grommet to permit soldering to the contacts. Insert the tinned ends of wires into the appropriate contacts in 62 series connector and solder into place. Slide the grommet forward over the wired contacts and press firmly into the rear of connector shell and against rear face of insert.



Unscreened Jacketed Cables Type `A'

All procedures concerning this type of cable to be as for internally screened jacketed cable, but all references to screen (Braid) to be disregarded.

Assembly Instructions

Wire Stripping

Strip 5.3mm (0.210 in) to 6.1 mm (.240 in) of insulation from end of wires to expose centre conductor and tin the ends. If ends fray, twist them back to their original lay before tinning.

Wire Accommodation

Contact Size	Colour Code	Wire Seal and Conductor			
		Wire Insulation		Conductor	
		min. dia.	max. dia.	max. dia.	
		ins (mm)	ins (mm)	ins (mm)	
20	Red	0.047 (1.19)	0.085 (2.16)	0.042 (1.07)	
16	Blue	0.066 (1.68)	0.109 (2.77)	0.062 (1.57)	

Recommended Tightening Torques

Single Hole Fixing	Shell Size	8	10	12	14	16	18	20	22	24
	Nm	3.73	4.07	6.78	7.34	8.25	9.26	11.98	13.90	15.03
Receptacles	lbf. ins.	33	36	60	65	73	82	106	123	133
Accessories	Nm	3.39-3.96	3.96-4.52	4.52-5.09	5.09-5.65	5.65-6.78	6.78-7.91	8.48-9.04	9.61-10.17	10.74-11.3
	lbf. ins.	30-35	35-40	40-45	45-50	55-60	65-70	75-80	85-90	95-100

Notice: Products are sold subject to Amphenol's Standard Conditions of Sale. All specifications and statements contained herein are believed to be correct at the time of printing but no representation or warranty, express or implied, is given as to any specification or statement contained herein. Product specifications including performance characteristics are typical only and subject to deviation. Specifications are also subject to change without notice. Users should not assume that all safety measures are indicated or that other measures may not be required. No representation or warranty, express or implied, is given that any use of products (including any stated or suggested use) does not infringe any patent, registered design or other third party rights and no stated or suggested use of products can be taken to recommend any such infringement.

Amphenol

**Thanet Way,
Whitstable,
Kent, CT5 3JF
Tel: 01227 773200
Fax: 01227 276571
info@amphenol.co.uk
www.amphenol.co.uk**

Mouser Electronics

Authorized Distributor

Click to View Pricing, Inventory, Delivery & Lifecycle Information:

Amphenol:

[62GB5850804P](#) [62GB5851608S](#) [62GB5851832S](#) [62GB5852255P771](#) [62GB5850803S](#) [62GB5850833S](#)
[62GB5851203P](#) [62GB5851203S](#) [62GB5851210P](#) [62GB5851832P](#) [62GB5851002P](#) [62GB5851006S](#)
[62GB5852255S416](#) [62GB5852255P416](#) [62GB5852255S771](#) [62GB5850898P](#) [62GB5851405S](#) [62GB5851626S](#)
[62GB58622714](#) [62GB5851210S](#) [62GB5851419P](#) [62GB5852255P](#) [62GB5852255S](#) [62GB58612714](#) [62GB5851006P](#)
[62GB5851419S](#) [62GB5851608P](#)