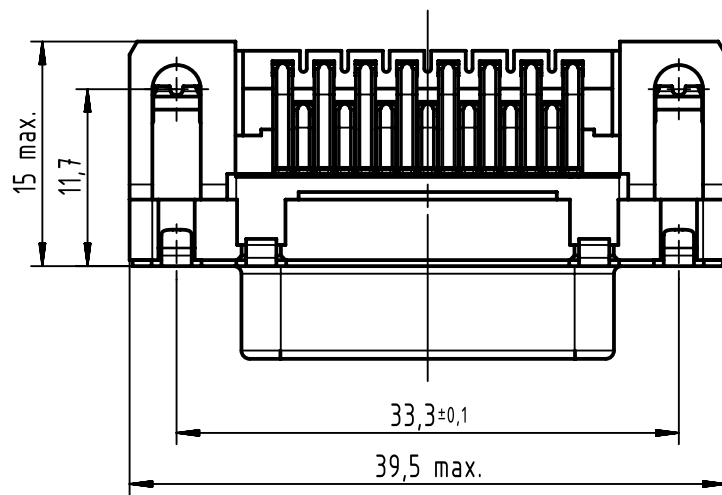
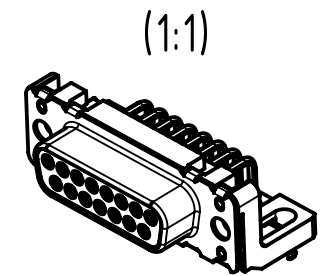
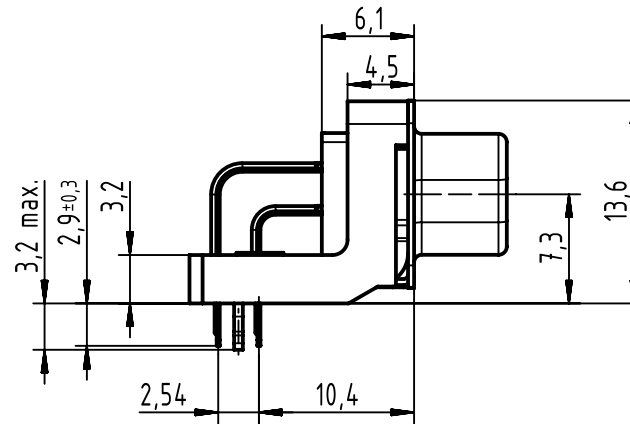
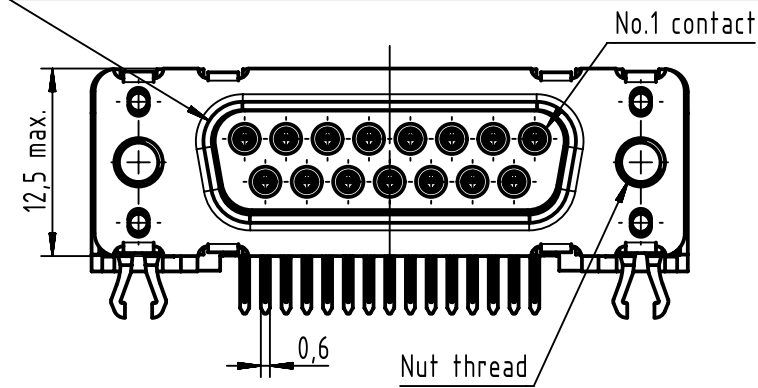
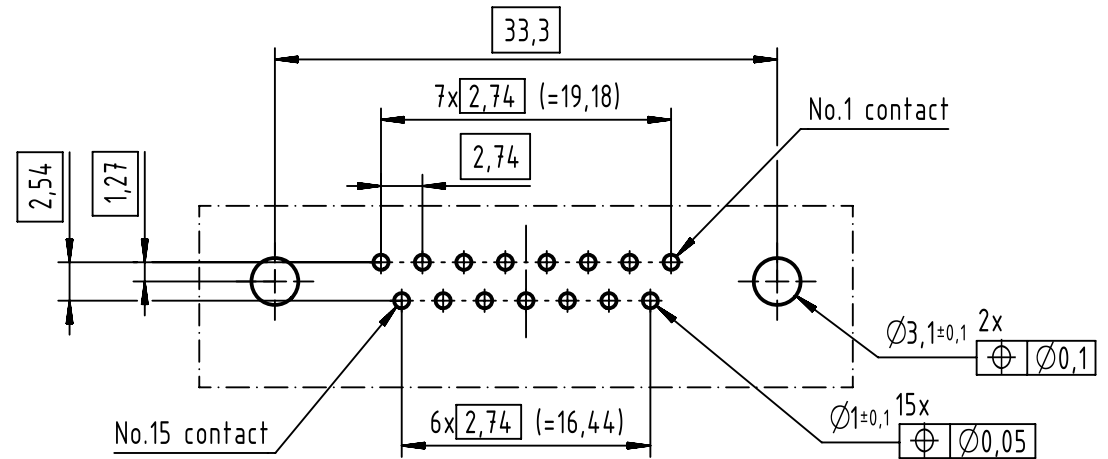


Mating face according to MIL-C-24308/ DIN 41652/ CECC 75301-802



PCB layout hole component side



Connector retention and insertion forces on the PCB = 25/80 newtons

0966 252 5611	M3	S4
0966 252 3611	M3	1
0966 252 6611	M3	2
0966 252 7611	M3	3
0966 252 3612	4-40 UNC	1
0966 252 6612	4-40 UNC	2
0966 252 7612	4-40 UNC	3
Part number	Nut thread	Performance level



All Dimensions in mm
Original Size DIN A4

Scale
2:1

Free size tol.

Ref.

Sub.



All rights reserved
Department EC PD - CN

Created by
ZHUANGJ

Inspected by
LUOK

Standardisation
HOFFMANN

Date
2017-05-16

State
Final Release

Title
D-Sub 15-pole H7,3 angled fem with nut and clip

Doc-Key / ECM-Nr.
100725032/UGD/000/A
500000119367

Type
TB

Number
0966252X61X

Rev.
A

Page
1/1

Mouser Electronics

Authorized Distributor

Click to View Pricing, Inventory, Delivery & Lifecycle Information:

[HARTING:](#)

[09662527611](#) [09662527612](#) [09662526612](#) [09662526611](#)