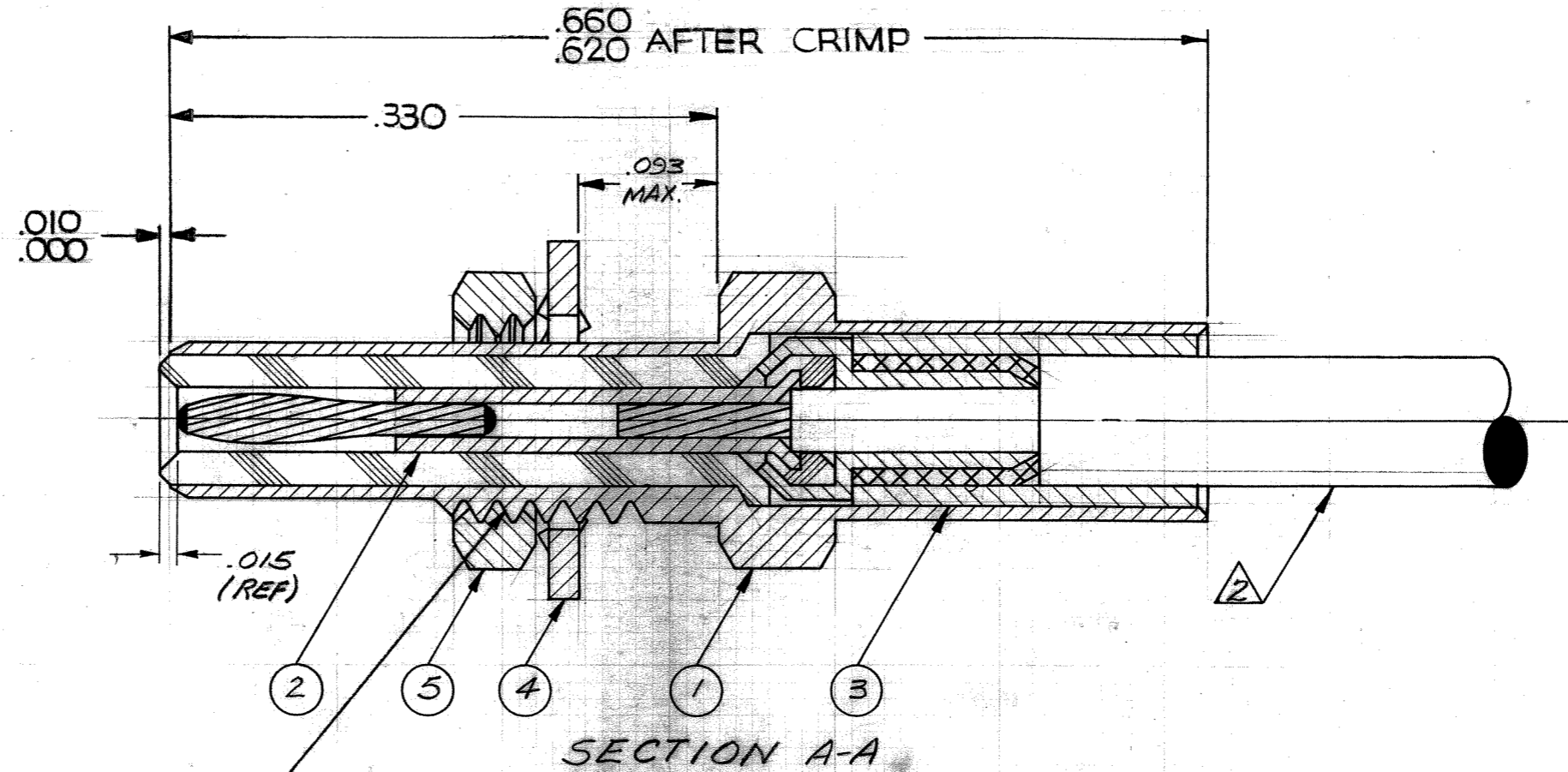
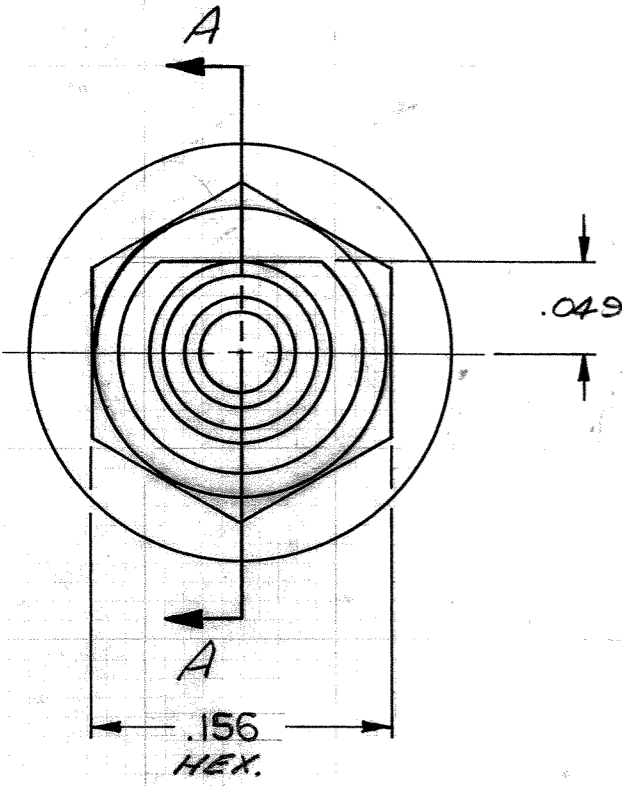


These drawings and specifications are the property of Microdot Inc., are issued in strict confidence and shall not be divulged, be reproduced or copied, or used as the basis for the manufacture or sale of any article without written permission of Microdot Inc.



Tyco Dwg 1-1532006-9
Micro P/N 141-1001-0001

.125-44 UNF-2A THD (MODIFIED)

QTY	PART NO.	NOMENCLATURE	MAT'L & SPEC	ITEM
1	014-0012-0002	NUT	BRASS PER QQ-B-626	5
1	014-0013-0002	LOCKWASHER	#425 BRONZE ALLOY	4
1	014-0004-0002	CRIMP SLEEVE	COPPER ALLOY	3
1	014-1018-0001	CONTACT-SUB-ASSY		2
1	014-1019-0001	HOUSING-SUB-ASSY		1

4. SEE RF-ASMB-15 FOR CABLE ASSEMBLY INSTRUCTIONS.
 3. MATES WITH ALL LEPPA/CON 142 SLIDE-ON SERIES PLUGS.
 2. CABLE ACCEPTANCE DIM'S-CENTER COND. .012, DIELECTRIC .034, SHIELD .054, JACKET .075.
 1. ALL METALLIC PARTS ARE GOLD PLATED PER MIL-G-45204 TYPE II, CLASS I

NOTES: UNLESS OTHERWISE SPECIFIED

ASSEMBLY	NO REQ'D	LET	ECO	REVISION DESCRIPTION	BY	DATE	APP
				A 7075 RELEASE FOR PROD.	UM	9/12/62	ES
				B 2895 ITEM 4 MAT'L WAS: P/BRONZE PER QQ-B-750; DIM. IS: .625 WAS: 5/8 IS: .343 WAS: 11/32; UPDATE LOGO	(LM)		ES
				C UPDATE REV. 38527	ES		ES
				D UPDATE REV, ECN 39213	TL	7/24/66	ES

STANDARD TOLERANCES UNLESS OTHERWISE SPECIFIED
 DEC. ± .010
 FRAC. ±
 ANGLES ±
 ECCENTRICITY
 MAX. T.I.R.
 HOLE DIA. ±
 SURFACE ROUGHNESS
 MICRO INCHES
 THREADS TO MIL-S-7742
 COMMERCIAL TOLERANCES APPLY TO STOCK DIMENSIONS

MALCO
 A MICRODOT COMPANY, INC.
 220 PASADENA AVE., SO. PASADENA, CALIF.

SURFACE TREATMENT NOTED

MATERIAL NOTED

APP: [Signature]
 CHECKED BY: [Signature]
 DRAWN BY: U. Mats
 SCALE: 10:1
 WT: [Blank]
 DATE: 7/13/66
 DRAWING NUMBER: 141-1001-0001 D

PROD. CODE 946 CDM

BHD JACK, ASSEMBLY - SLIDE-ON

Mouser Electronics

Authorized Distributor

Click to View Pricing, Inventory, Delivery & Lifecycle Information:

[TE Connectivity:](#)

[141-1001-0001](#) [141-1000-0001](#)