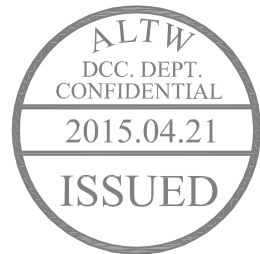
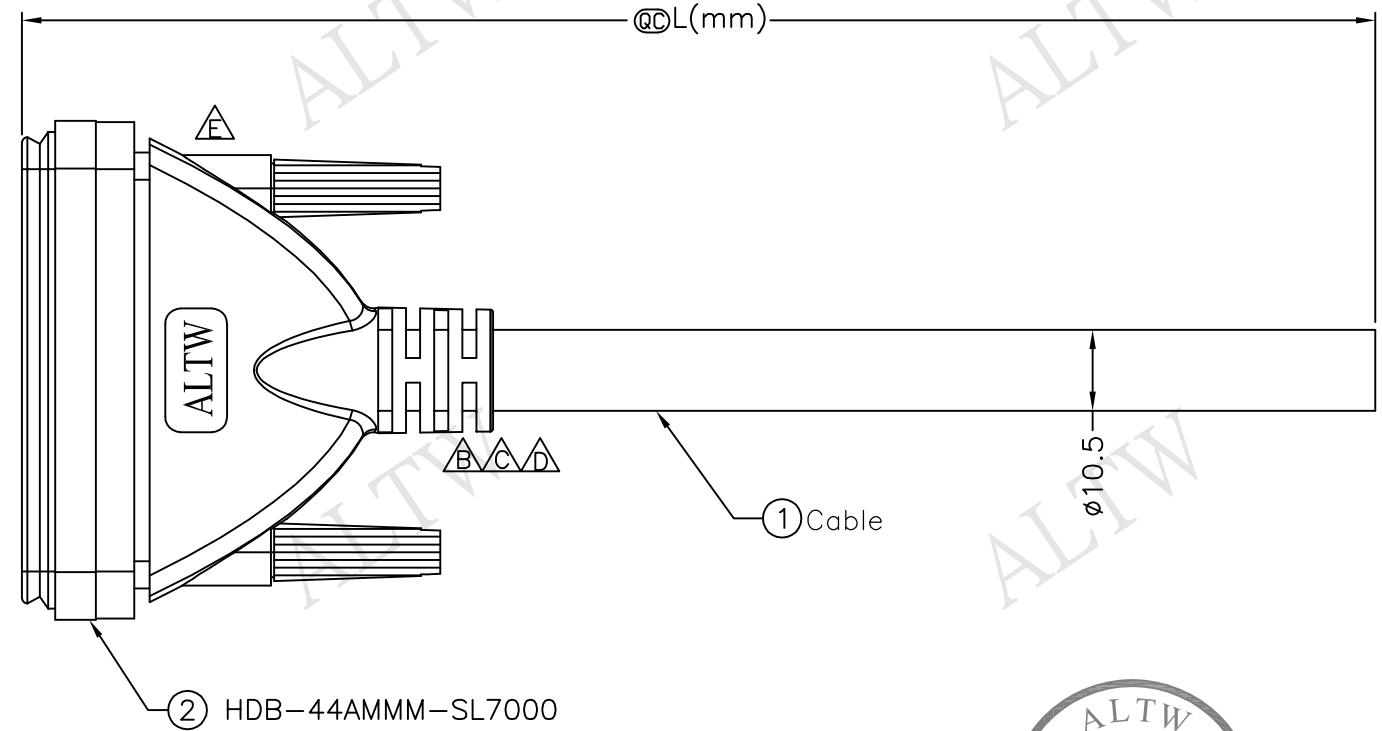
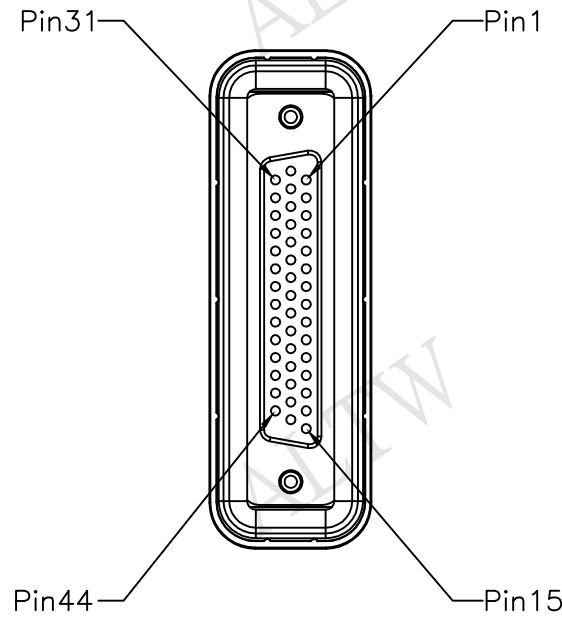


REV.	ECN NO.	DATE	SIGN.	DESCRIPTION
C	LEN-960010~3	2009/03/10	Li Xiu Zhi	Change SR
D	LEN-9B0062~65	2009/10/21	Li Xiu Zhi	Change SR
E	LEN1540174~177	2015/03/17	Ruru	Change Logo

THIS DOCUMENT IS SUBJECT TO CHANGE WITHOUT NOTICE. IT IS CONFIDENTIAL AND A PROPERTY OF Amphenol LTW. DISCLOSURE TO THIRD PARTY HAS TO BE AUTHORIZED BY Amphenol LTW.

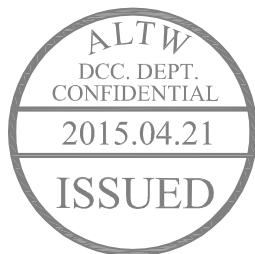


UNIT:mm	TITLE 44 Pin HD-SUB Waterproof Male Conn To Cable	
TOLERANCE ±0.5 mm	SCALE Free	SHEET 1 OF 2
REV. E	SIZE A4	QC : Inspection Item

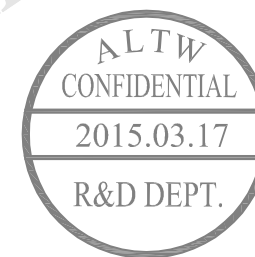
**Amphenol LTW**  
安費諾亮泰企業股份有限公司

ITEM NO	DRAWN BY Ruru	DATE 2015/03/17
DWG NO HDB-44AMMM-SL7AXX	CHECKED BY Rita	DATE 2015/03/17
CUSTOMER ALTW	APPROVED BY Lion	DATE 2015/03/17

THIS DOCUMENT IS SUBJECT TO CHANGE WITHOUT NOTICE. IT IS CONFIDENTIAL AND A PROPERTY OF AMPHENOL LTW. DISCLOSURE TO THIRD PARTY HAS TO BE AUTHORIZED BY AMPHENOL LTW.



HDB-44AMMM-SL7AXX



↑  
 XX:01~99Meter  
 01:01Meter  
 02:02Meters  
 ⋮  
 99:99Meters

Cable Length(L):01~99Meters

- Note
- \* Important Dimension To Check.
  - \* Waterproof Rate: IP67
  - \* Housing: ABS, Black
  - \* Gasket: EPDM, Black
  - \* Screw: Steel, Nickel Plated
  - \* Cable: UL2464 26AWG\*44C+Drain+Al/My  
,(UV Resistant)OD=10.5mm, Black
  - \* Cable Length Tolerance: 01M:±40mm  
 02M~05M:±60mm  
 06M~10M:±100mm  
 11M~30M:±200mm  
 31M~99M:±500mm

Shell	Drain	地線			
22	Yellow/Black	黃/黑	44	Light Yellow/Red	淺黃/紅
21	Orange/Black	橙/黑	43	Light Yellow/Black	淺黃/黑
20	Red/Black	紅/黑	42	Light Yellow	淺黃
19	Purple/White	紫/白	41	Light Green/Green	淺綠/綠
18	Blue/White	藍/白	40	Light Green/Blue	淺綠/藍
17	Green/White	綠/白	39	Light Green/Red	淺綠/紅
16	Orange/White	橙/白	38	Light Green/Black	淺綠/黑
15	Red/White	紅/白	37	Blue/Black	藍/黑
14	Brown/White	棕/白	36	Purple/Black	紫/黑
13	Black/White	黑/白	35	Gray/Green	灰/綠
12	Light Green	淺綠	34	Gray/Red	灰/紅
11	Purple	紫	33	Light Blue/Green	淺藍/綠
10	Orange	桔	32	Light Blue/Blue	淺藍/藍
9	Black	黑	31	Light Blue/Red	淺藍/紅
8	Red	紅	30	Light Blue/Black	淺藍/黑
7	Pink	粉	29	Light Blue	淺藍
6	Gray	灰	28	Pink/Green	粉/綠
5	Yellow	黃	27	Pink/Blue	粉/藍
4	Green	綠	26	Pink/Red	粉/紅
3	White	白	25	Pink/Black	粉/黑
2	Blue	藍	24	Gray/Black	灰/黑
1	Brown	棕	23	Green/Black	綠/黑
Conn.	Wire Color		Conn.	Wire Color	

Pin Out

UNIT:mm		TITLE
TOLERANCE	±0.5 mm	44 PIN HD-SUB WATERPROOF MALE CONN TO CABLE
SCALE	Free	SHEET 2 OF 2
REV.	E	SIZE A4
		QC :Inspection Item

**Amphenol LTW**  
 安費諾亮泰企業股份有限公司

ITEM NO	DRAWN BY	DATE
DWG NO	CHECKED BY	DATE
CUSTOMER	APPROVED BY	DATE

HDB-44AMMM-SL7AXX  
 Ruru  
 2015/03/17  
 Rita  
 2015/03/17  
 ALTW  
 Lion  
 2015/03/17

# Mouser Electronics

Authorized Distributor

Click to View Pricing, Inventory, Delivery & Lifecycle Information:

[Amphenol:](#)

[HDB-44AMMM-SL7A01](#)

[HDB-44AMMM-SL7A02](#)

[HDB-44AMMM-SL7A05](#)

[HDB-44AMMM-SL7A10](#)