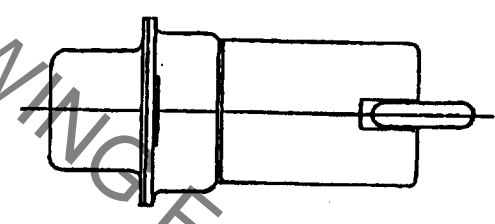
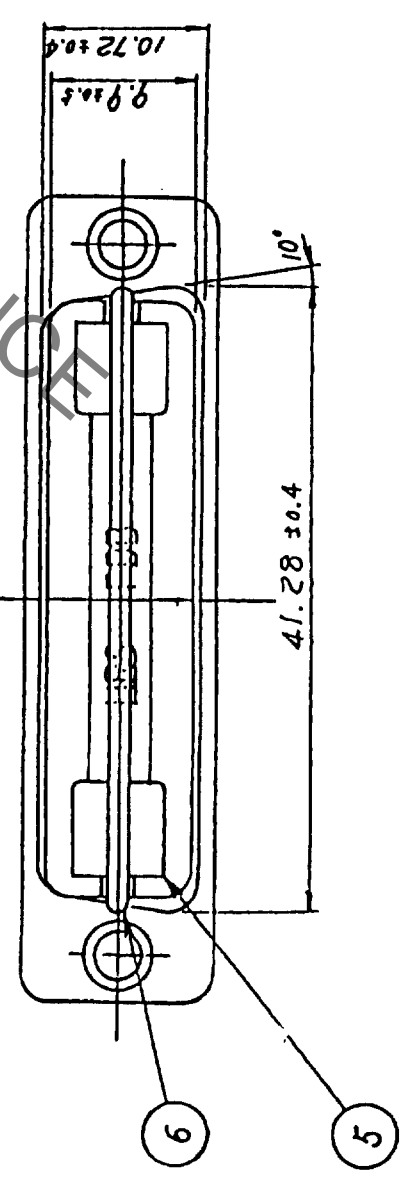
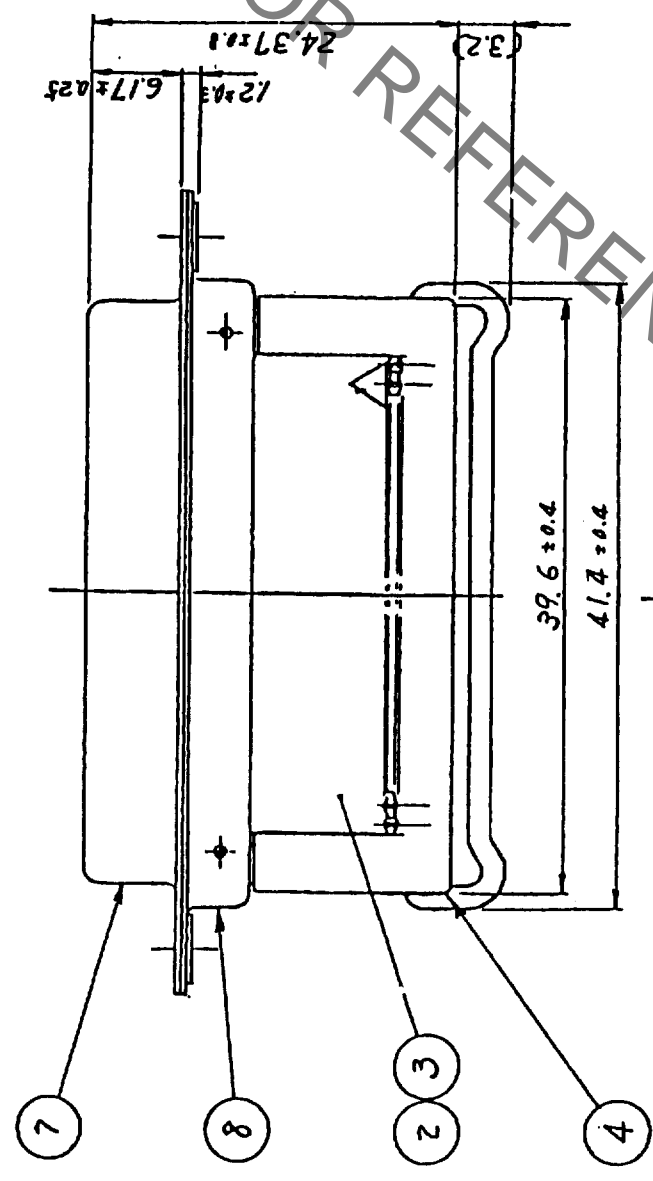
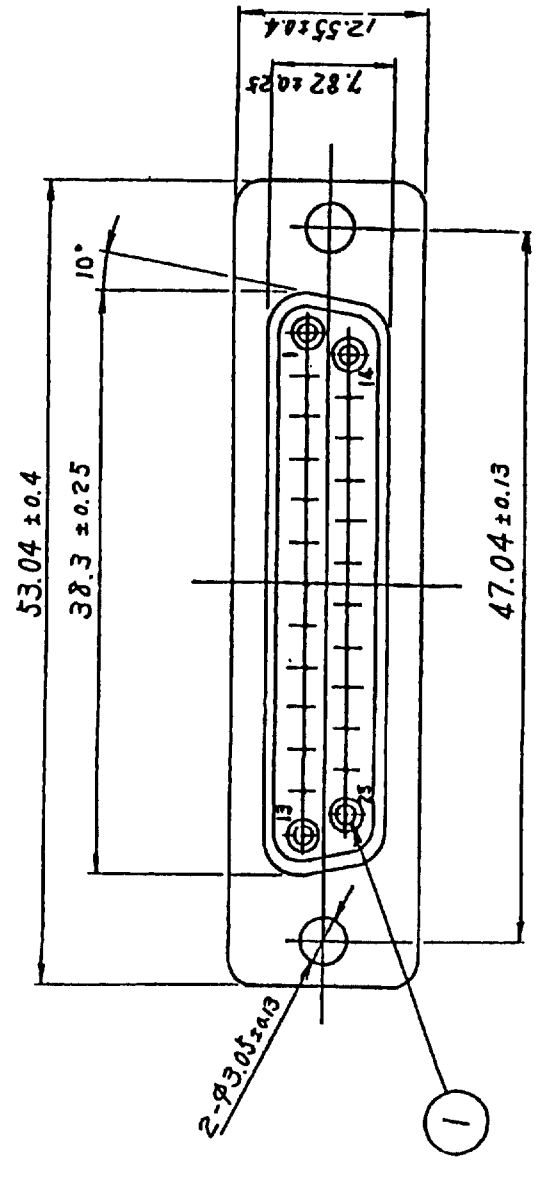


In case of consideration for using Automotive equipment / device which demand high reliability, kindly contact our sales window correspondents.

Sep.1.2021 Copyright 2021 HIROSE ELECTRIC CO., LTD. All Rights Reserved.



NOTE 1 COMPONENTS OF REF NO. ④ ⑤ AND ⑥ ARE APPENDED PRODUCTS.

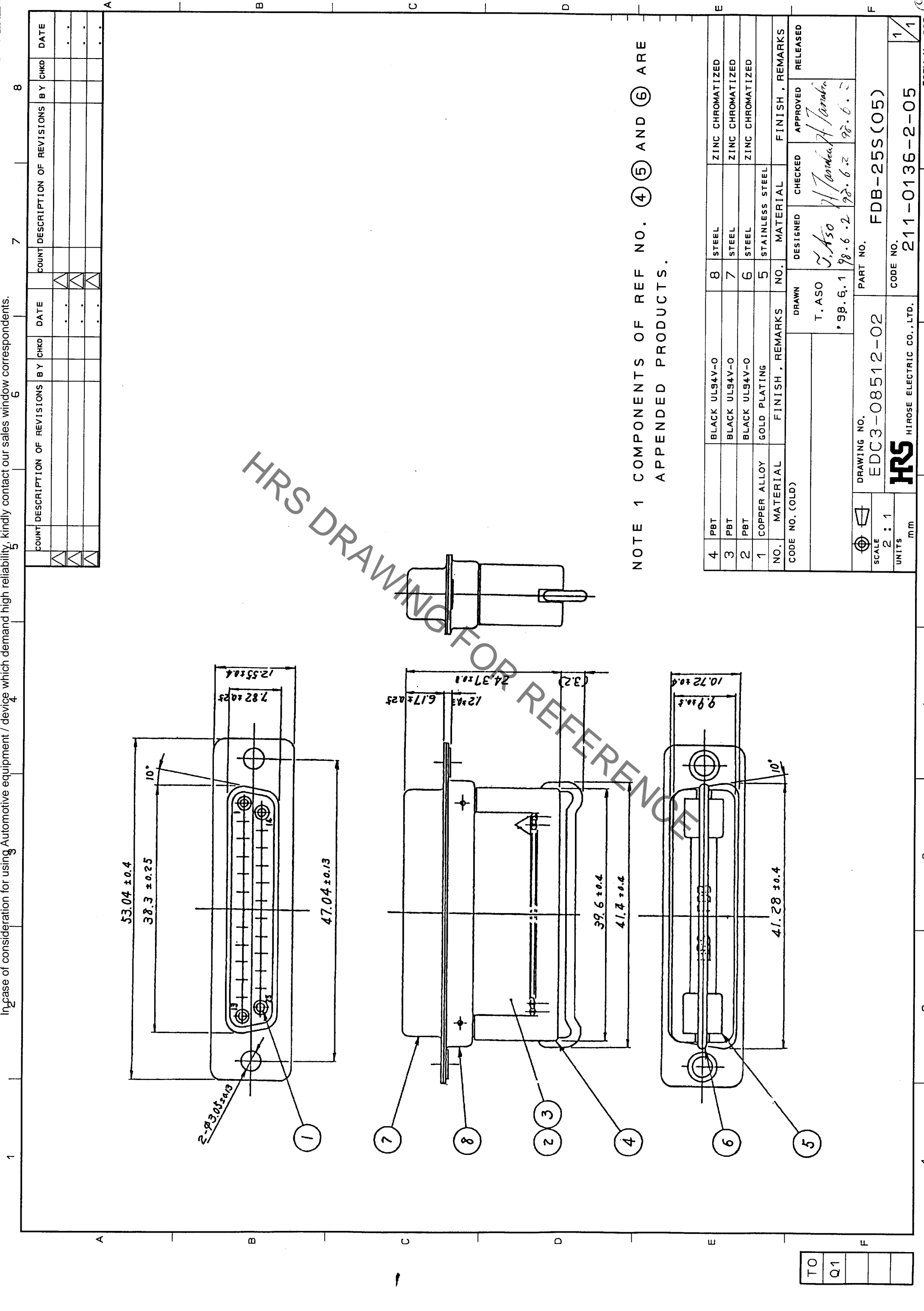
NO.	MATERIAL	FINISH, REMARKS	NO.	MATERIAL	FINISH, REMARKS
4	PBT	BLACK UL94V-0	8	STEEL	ZINC CHROMATIZED
3	PBT	BLACK UL94V-0	7	STEEL	ZINC CHROMATIZED
2	PBT	BLACK UL94V-0	6	STEEL	ZINC CHROMATIZED
1	COPPER ALLOY	GOLD PLATING	5	STAINLESS STEEL	

CODE NO. (OLD)	DRAWN	DESIGNED	CHECKED	APPROVED	RELEASED
	T.ASO	T.ASO	H. Yamada	H. Yamada	
	'98.6.1	'98.6.2	'98.6.2	'98.6.2	

DRAWING NO.		PART NO.	
EDC3-08512-02		FDB-25S(05)	
SCALE	2 : 1	CODE NO.	211-0136-2-05
UNITS	mm		

TO	
Q1	

HRS DRAWING FOR REFERENCE



# Mouser Electronics

Authorized Distributor

Click to View Pricing, Inventory, Delivery & Lifecycle Information:

[Hirose Electric:](#)

[FDB-25S\(05\)](#)