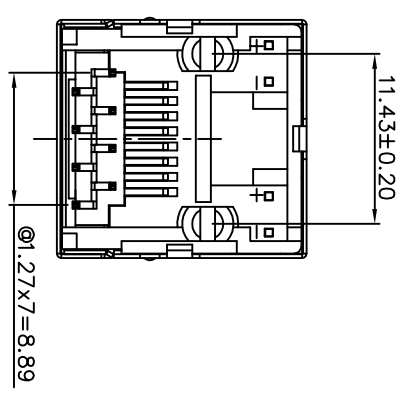
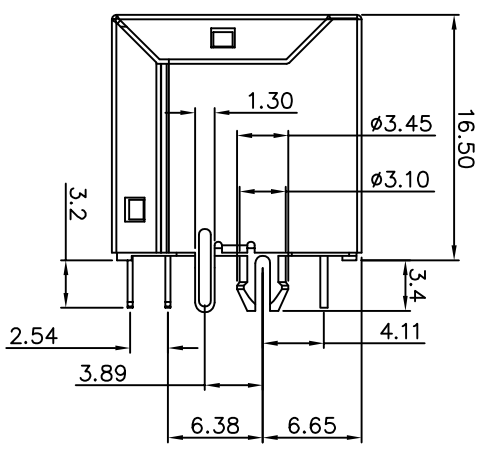
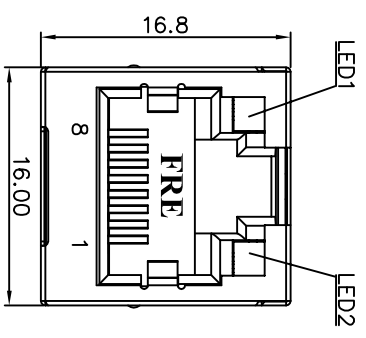


REVISION RECORD	
REV	DESCRIPTION
	DRFT



NOTES:

ELECTRICAL:

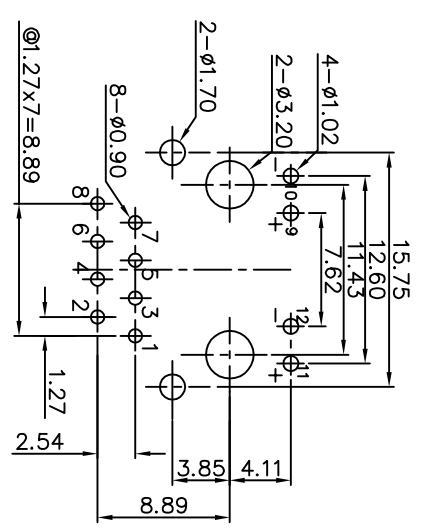
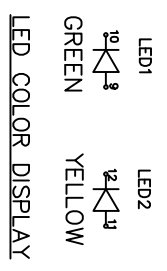
- VOLTAGE RATING : 125 VAC RMS.
- CURRENT RATING : 1.5 AMP.
- CONTACT RESISTANCE : 40 MILLIOHMS MAX.
- INSULATION RESISTANCE: 1000 MEGOHMS MIN. @ 500 VDC.
- DIELECTRIC STRENGTH : 1000 VDC RMS 60Hz, 1MIN.
- LED RATINGS: FORWARD VOLTAGE: 2.2 VOLTS TYPICAL
REVERSE VOLTAGE: 5 VOLTS MAXIMUM.

MECHANICAL:

- SHIELD MATERIAL : COPPER ALLOY PLATING NI
- HOUSING MATERIAL : FR50 UL94V-0
- HOUSING COLOR : BLACK
- CONTACT MATERIAL : PHOSPHOR BRONZE t=0.35mm.
- PLATING : GOLD PLATING OVER NICKEL.
- OPERATING LIFE : 750 CYCLES MIN.
- PCB RETENTION PRE-SOLDER : 1 LB MIN.
- PCB RETENTION POST-SOLDER : 10 LBS MIN.

ENVIRONMENTAL:

- STORAGE : -40°C TO +85°C.
 - OPERATION: -40°C TO +85°C.
 - WAVE SOLDER TEMPERATURE: 255°C ~ 265°C.
5~10 SECONDS
- MATES WITH MODULAR PLUG CONFORMING TO
FCC PART 68, SUBPART F.
CUL FILE NO. E163191



PC BOARD LAYOUT T=1.60mm
COMPONENT SIDE SHOWN
TOLERANCES±0.05mm

DETACHED LISTS	
MM	(INCH)
0 ± 0.25	±
.00 ± 0.20	±
.000 ± 0.10	±
ANGLES ± 1°	
THIRD ANGLE PROJECTION	
RoHS Compliant	
Pulse Electronics	
LED COLOR DISPLAY	
PC BOARD LAYOUT T=1.60mm COMPONENT SIDE SHOWN TOLERANCES±0.05mm	
RJ45 TOP ENTRY PCB JACK(W/LED)	
TITLE	
DFTO : KURT	DRAWING NO. CE5288-XX0XX-L
DATE : 06/27/2012	/PART NO. E5288-3A0C02-L
SCALE : 1.5:1	DO NOT SCALE DRAWING
SIZE A3	REV 0
SHEET 1	OF 1

E5288-3A0C02-L	NICKEL	W/	6U"
PART NO.	SHIELD PLATING	FRE LOGO	Au PLATING

Mouser Electronics

Authorized Distributor

Click to View Pricing, Inventory, Delivery & Lifecycle Information:

Pulse:

[E5288-3A0C02-L](#)