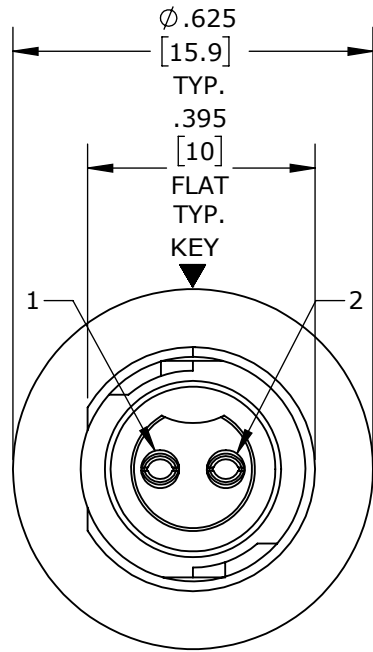


APPROVED BY: DATE: MFG. ENG. QA

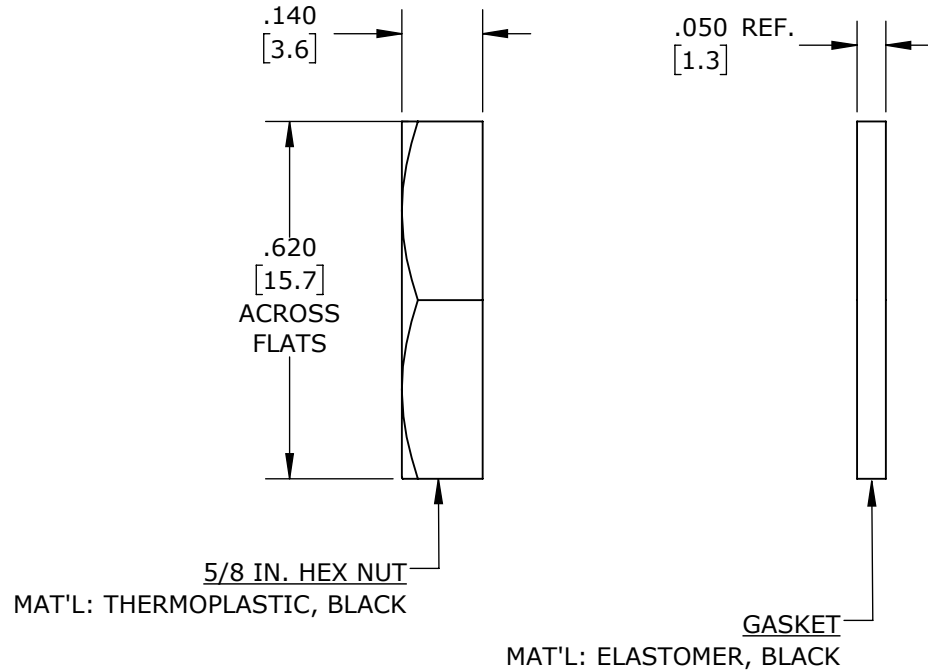
PART NO.	NO. OF PINS
W17282-2SG-P-300	2
W17282-3SG-P-300	3

**NOTES:**

1. ALL PARTS ARE BULK PACKED.
2. CONTACTS ARE ASSEMBLED INTO PANEL CONNECTOR WITH SOLDER CUPS FACING TOP KEY DIRECTION.
3. REFER TO DRAWING HPMCSTD FOR CONTACT PATTERNS.
4. ALL DIMENSIONS ARE REFERENCE ONLY IN INCHES [mm], WITHIN ±0.015 UNLESS OTHERWISE NOTED.

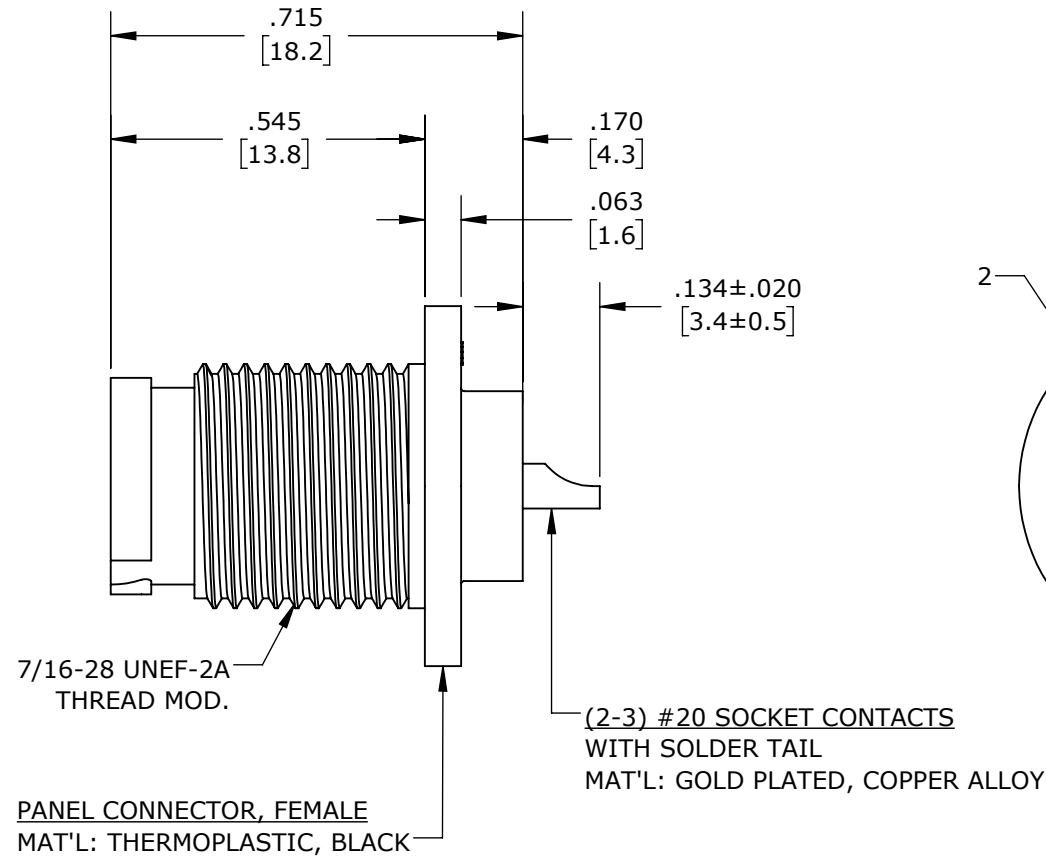


**FACE VIEW**  
W17282-2SG-P-300



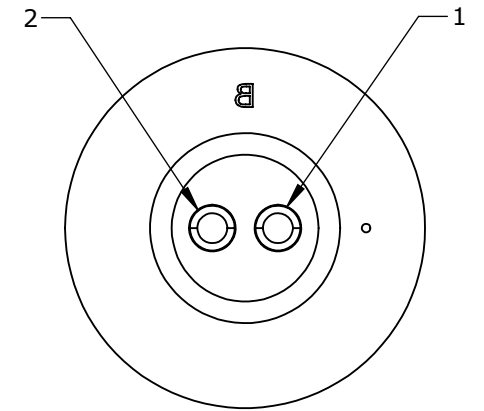
**5/8 IN. HEX NUT**  
MAT'L: THERMOPLASTIC, BLACK

**GASKET**  
MAT'L: ELASTOMER, BLACK

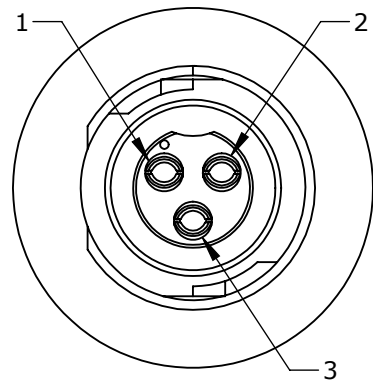


**7/16-28 UNEF-2A  
THREAD MOD.**  
**PANEL CONNECTOR, FEMALE**  
MAT'L: THERMOPLASTIC, BLACK

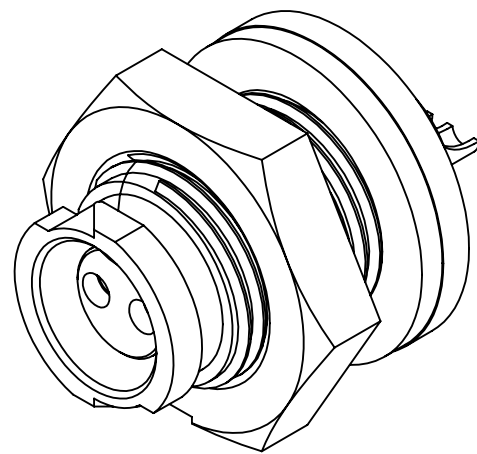
**(2-3) #20 SOCKET CONTACTS  
WITH SOLDER TAIL**  
MAT'L: GOLD PLATED, COPPER ALLOY



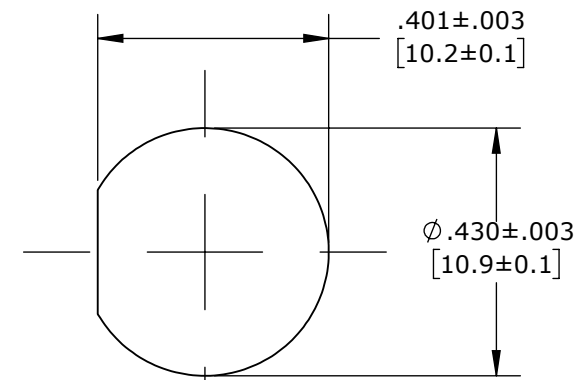
**WIRE VIEW**  
W17282-2SG-P-300



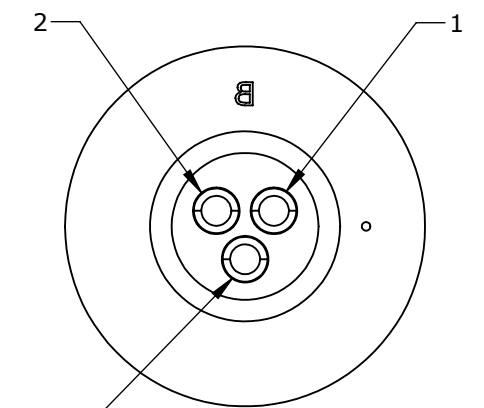
**FACE VIEW**  
W17282-3SG-P-300



**ASSEMBLED VIEW**  
FOR CUSTOMER REF. ONLY



**RECOMMENDED PANEL CUTOUT**



**WIRE VIEW**  
W17282-3SG-P-300

**CUSTOMER APPROVAL**

THIS DOCUMENT CONTAINS CONFIDENTIAL INFORMATION PROPRIETARY TO CONXALL CORPORATION. ANY REPRODUCTION, DISCLOSURE, OR USE OF THIS DOCUMENT /INFORMATION IS EXPRESSLY PROHIBITED UNLESS AUTHORIZED IN WRITING BY CONXALL CORPORATION.

APPROVED BY: \_\_\_\_\_  
DATE: \_\_\_\_\_

**RoHS COMPLIANT**

DIMENSIONS IS BRACKETS [ ] ARE METRIC

**PRELIMINARY**

0A	JGK	8/13/19	DRAWING CREATED FOR PDR #18004.	
REV.	INIT.	DATE	DESCRIPTION	
	JGK	8/13/19	ALL INFORMATION ILLUSTRATED IS THE PROPERTY OF "CONXALL CORPORATION". UNAUTHORIZED DUPLICATION OR DISTRIBUTION OF THIS DOCUMENT IS PROHIBITED.	
APPROVED BY:			 601 E. WILDWOOD VILLA PARK, IL 60181	
SCALE	SIZE	SHEET		
NTS	B	1 OF 1	TITLE: PANEL MOUNT ASSEMBLY (2-3) #20 SOCKET CONTACTS, SOLDER CUP INSTA-CLICK, MICRO-CON-X STANDARD PRODUCT	
FILE:	DIRECTORY:	PART NUMBER:	CUSTOMER:	
W17282-XSG-P-300	SLW	W17282-XSG-P-300	W17282-XSG-P-300	
				REV 0A

CUSTOMER PRINT

PART NUMBER: W17282-XSG-P-300

# Mouser Electronics

Authorized Distributor

Click to View Pricing, Inventory, Delivery & Lifecycle Information:

[Switchcraft:](#)

[W17282-3SG-P-3ES](#) [W17282-2SG-P-300](#) [W17282-3SG-P-300](#) [W17282-2SG-P-3ES](#)