

CUSTOMER PRINT

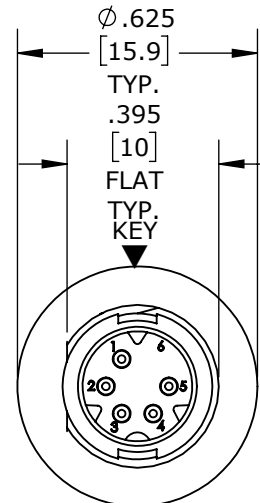
PART NUMBER: W17984-XPG-P-300

MFG. ENG.	APPROVED BY:	DATE:	QA	APPROVED BY:	DATE:
-----------	--------------	-------	----	--------------	-------

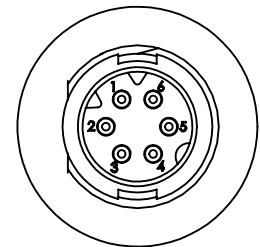
PART NO.	NO. OF PINS
W17984-5PG-P-300	5
W17984-6PG-P-300	6
W17984-7PG-P-300	7

NOTES:

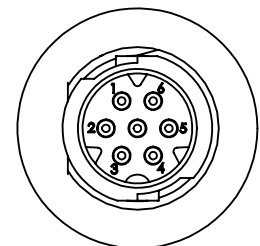
1. ALL PARTS ARE BULK PACKED.
2. REFER TO DRAWING HPMCSTD FOR CONTACT PATTERNS.
3. ALL DIMENSIONS ARE REFERENCE ONLY IN INCHES [mm], WITHIN ±0.015 UNLESS OTHERWISE NOTED.



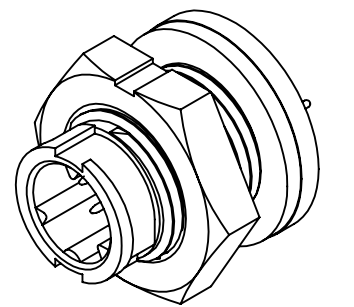
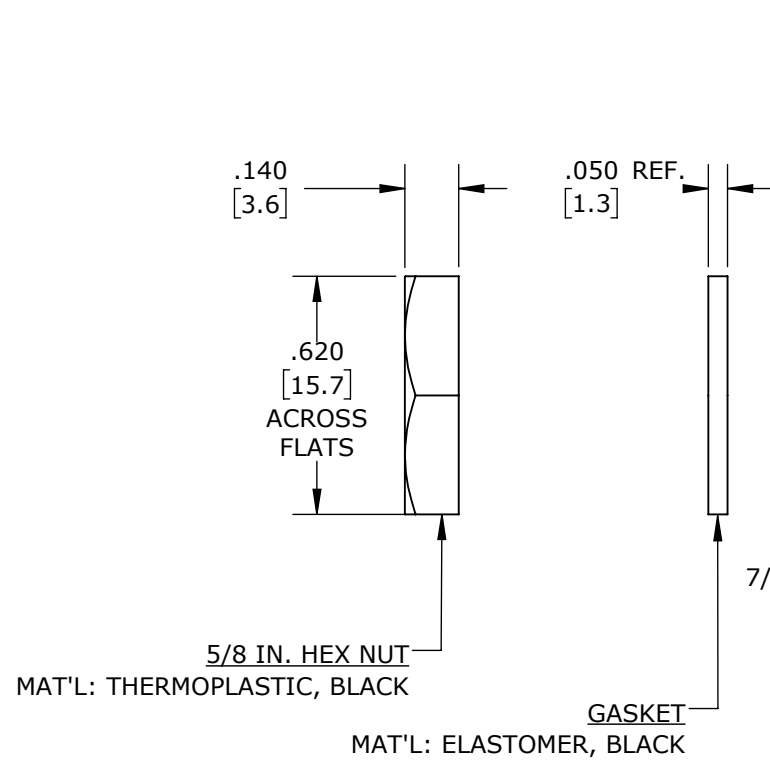
**FACE VIEW**  
W17984-5PG-P-300  
5 POSITION  
A-KEY



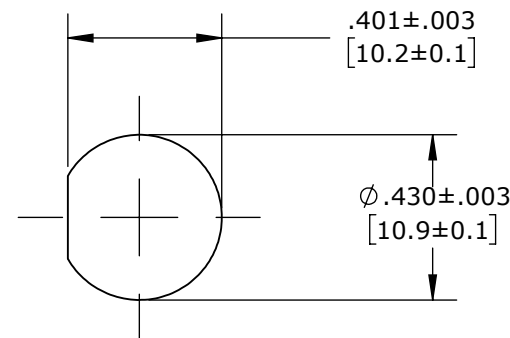
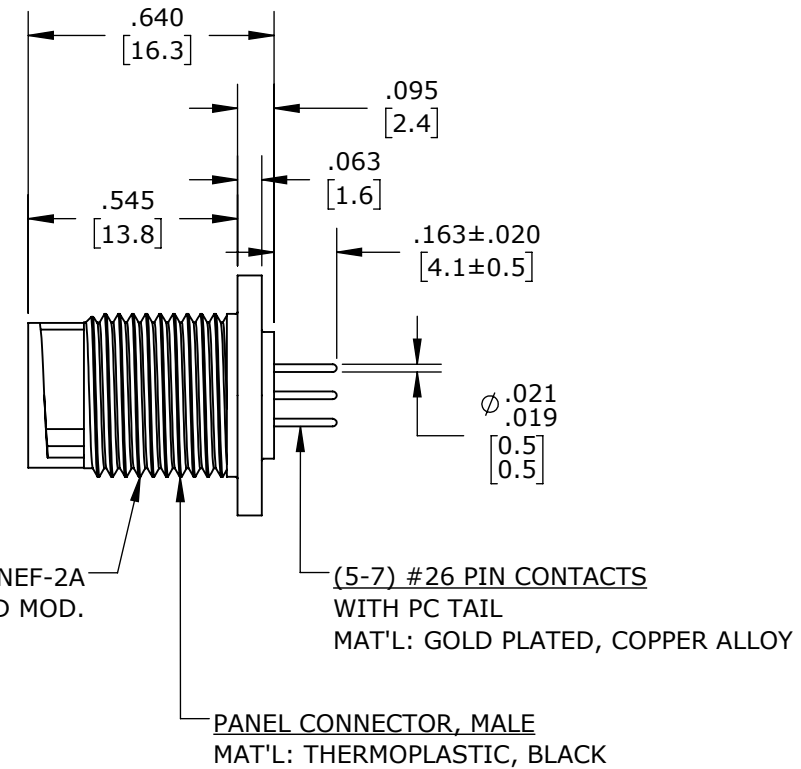
**FACE VIEW**  
W17984-6PG-P-300  
6 POSITION  
B-KEY



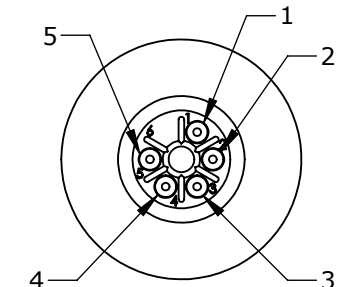
**FACE VIEW**  
W17984-7PG-P-300  
7 POSITION  
A-KEY



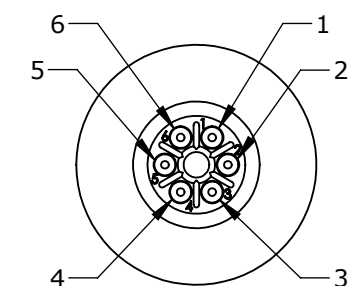
**ASSEMBLED VIEW**  
FOR CUSTOMER REF. ONLY



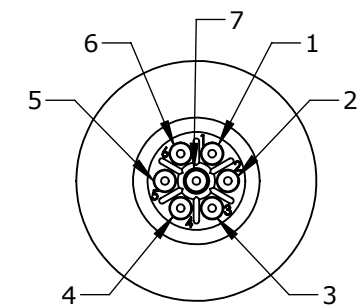
**RECOMMENDED PANEL CUTOUT**



**WIRE VIEW**  
W17984-5PG-P-300



**WIRE VIEW**  
W17984-6PG-P-300



**WIRE VIEW**  
W17984-7PG-P-300

PRELIMINARY

DIMENSIONS IS BRACKETS [ ] ARE METRIC

CUSTOMER APPROVAL

THIS DOCUMENT CONTAINS CONFIDENTIAL INFORMATION PROPRIETARY TO CONXALL CORPORATION. ANY REPRODUCTION, DISCLOSURE, OR USE OF THIS DOCUMENT /INFORMATION IS EXPRESSLY PROHIBITED UNLESS AUTHORIZED IN WRITING BY CONXALL CORPORATION.

APPROVED BY: \_\_\_\_\_

DATE: \_\_\_\_\_

**RoHS COMPLIANT**

0A	JGK	8/14/19	DRAWING CREATED FOR PDR #18004.	
REV.	INIT.	DATE	DESCRIPTION	
	JGK	8/14/19	ALL INFORMATION ILLUSTRATED IS THE PROPERTY OF "CONXALL CORPORATION". UNAUTHORIZED DUPLICATION OR DISTRIBUTION OF THIS DOCUMENT IS PROHIBITED. ORG. DRAWN BY: JGK DATE: 8/14/19 CHECKED BY: _____ APPROVED BY: _____ ALL UNITS ARE IN FEET, INCHES, FRACTION OF INCHES AND DECIMALS. UNLESS OTHERWISE SPECIFIED TOLERANCES: 3 PLACE DECIMALS ±.005 ANGLES ±1° FRACTIONS ±1/16 - CRITICAL CHARACTERISTIC FLAG PER SPEC. XXXX	
SCALE: NTS SIZE: B SHEET: 1 OF 1 FILE: W17984-XPG-P-300 DIRECTORY: SLW			TITLE: PANEL MOUNT ASSEMBLY (5-7) #26 PIN CONTACTS, PC TAIL INSTA-CLICK, MICRO-CON-X STANDARD PRODUCT CUSTOMER: _____ PART NUMBER: W17984-XPG-P-300	
				REV 0A



# Mouser Electronics

Authorized Distributor

Click to View Pricing, Inventory, Delivery & Lifecycle Information:

## Switchcraft:

[W17984-7PG-P-300](#) [W17984-5PG-P-300](#) [W17984-7PG-P-3ES](#) [W17984-5PG-P-3ES](#) [W17984-6PG-P-3ES](#)  
[W17984-6PG-P-300](#)