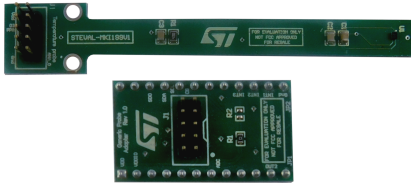


Temperature probe kit based on STLM20



Features

- User friendly [STLM20](#) board
- Complete STLM20 pinout for a standard DIL24 socket
- Fully compatible with [STEVAL-MKI109V3](#) motherboards
- RoHS compliant
- WEEE compliant

Description

The [STEVAL-MKI199V1K](#) evaluation kit consists of a probe with the [STLM20](#) temperature sensor connected via flat cable to the [STEVAL-MKIGIBV1](#) adapter board, so it can interface with the [STEVAL-MKI109V3](#) motherboard.

The device small package dimensions allow it to be mounted on top of a very thin probe, so it can take temperature readings not influenced by heat from other electronic components or boards.

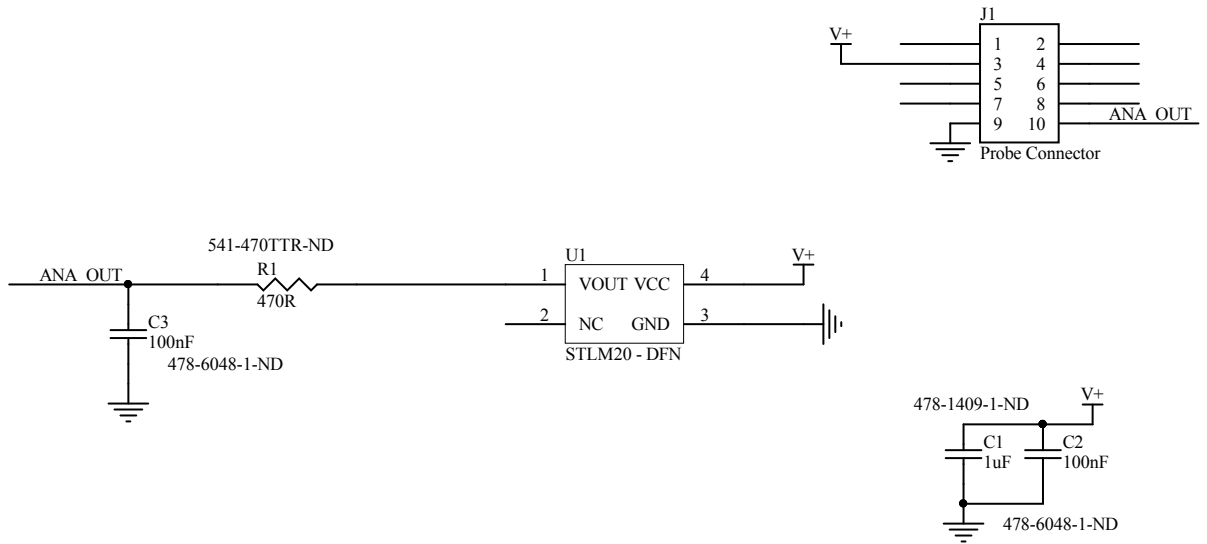
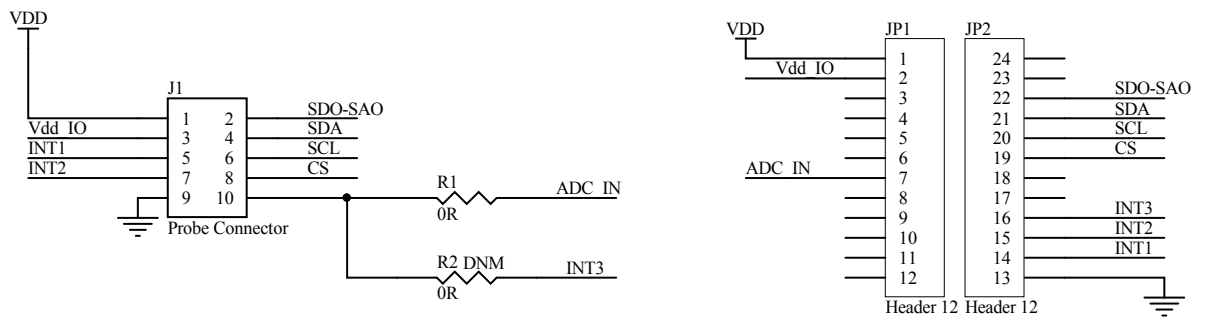
The [STEVAL-MKIGIBV1](#) can be plugged into a standard DIL24 socket.

The kit provides the complete STLM20 pinout and comes ready-to-use with the required decoupling capacitors on the VDD power supply line.

The [STEVAL-MKI109V3](#) motherboards feature a high performance 32-bit microcontroller functioning as a bridge between the sensor and a PC running the free Unico GUI graphical user interface or dedicated software routines for customized applications.

Product summary	
Temperature probe kit based on STLM20	STEVAL-MKI199V1K
Analog temperature sensor, ultra-low current 2.4 V, high precision	STLM20
ST MEMS adapter motherboard based on the STM32F401VET6 compatible with ST MEMS adapters	STEVAL-MKI09V3

1 Schematic diagrams

Figure 1. STEVAL-MKI199V1 board schematic

Figure 2. STEVAL-MKIGIBV1 board schematic


Revision history

Table 1. Document revision history

Date	Version	Changes
21-Dec-2018	1	Initial release.

IMPORTANT NOTICE – PLEASE READ CAREFULLY

STMicroelectronics NV and its subsidiaries (“ST”) reserve the right to make changes, corrections, enhancements, modifications, and improvements to ST products and/or to this document at any time without notice. Purchasers should obtain the latest relevant information on ST products before placing orders. ST products are sold pursuant to ST’s terms and conditions of sale in place at the time of order acknowledgement.

Purchasers are solely responsible for the choice, selection, and use of ST products and ST assumes no liability for application assistance or the design of Purchasers’ products.

No license, express or implied, to any intellectual property right is granted by ST herein.

Resale of ST products with provisions different from the information set forth herein shall void any warranty granted by ST for such product.

ST and the ST logo are trademarks of ST. All other product or service names are the property of their respective owners.

Information in this document supersedes and replaces information previously supplied in any prior versions of this document.

© 2018 STMicroelectronics – All rights reserved

Mouser Electronics

Authorized Distributor

Click to View Pricing, Inventory, Delivery & Lifecycle Information:

[STMicroelectronics:](#)

[STEVAL-MKI199V1K](#)