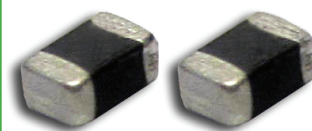


# Multilayer Ferrite Chip Inductor (High Current)

AIML-0805HC



RoHS/RoHS II compliant



2.00 x 1.25 x 0.85mm  
2.00 x 1.25 x 1.15mm

## FEATURES:

- Monolithic structure for higher reliability, compact size, & lightweight
- Magnetically shielded design to eliminate cross coupling
- Excellent solderability and heat resistance for reflow soldering
- Perfect shape for PCB mounting with no polarity

## APPLICATIONS:

- DC/DC converter circuit for Front End Module such as Skyworks Solution
- Portable AV equipments such as Digital Camera, Camcorder remote Control.

## STANDARD SPECIFICATIONS:

### PARAMETERS

ABRACON P/N:	AIML-0805HC
Operating temperature:	-55°C to +125°C
Storage temperature:	-55°C to +125°C

Part No. AIML-0805HC- Inductance Code	L(μH)	Tolerance	Test Freq.	SRF(MHz)	DCR(Ω)	Isat(mA)	Irms(mA)
		(%)	(MHz)	(min)	±30%	(max)	(max)
AIML-0805HC-1R0	1.0	M	1.0	75	0.15	400	1400
AIML-0805HC-1R5	1.5	M	1.0	60	0.16	180	1300
AIML-0805HC-2R2	2.2	M	1.0	50	0.20	150	1200
AIML-0805HC-4R7	4.7	M	1.0	35	0.25	100	1000
AIML-0805HC-100	10.0	M	1.0	24	0.32	60	500

### Test Conditions and equipments

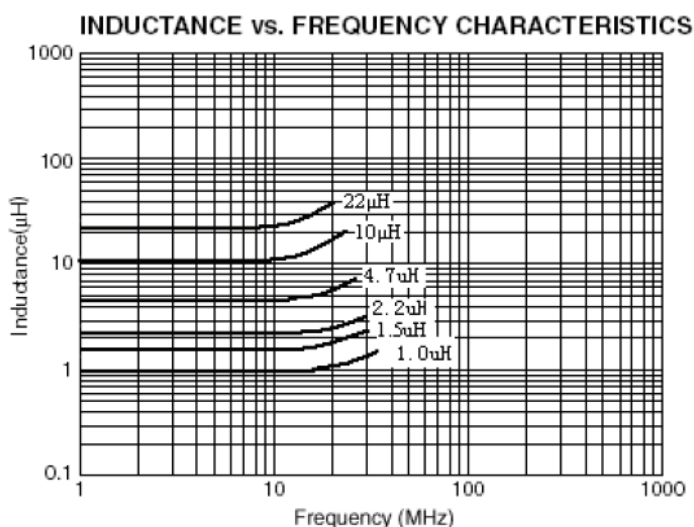
**L:** HP4291 Impedance Analyzer, 50mV

**DCR:** HP4263A LCR meter

**Irms:** HP4291 Impedance Analyzer, DC power HP6632 and Adapter HP16200.

Current when temperature of the product reaches +40°C.

## ELECTRICAL CHARACTERISTICS CURVE

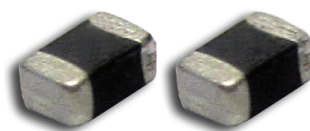


# Multilayer Ferrite Chip Inductor (High Current)

AIML-0805HC



RoHS/RoHS II compliant



2.00 x 1.25 x 0.85mm  
2.00 x 1.25 x 1.15mm

## PART NUMBER IDENTIFICATION

AIML-0805HC--

### Inductance Code

Please refer to the table above

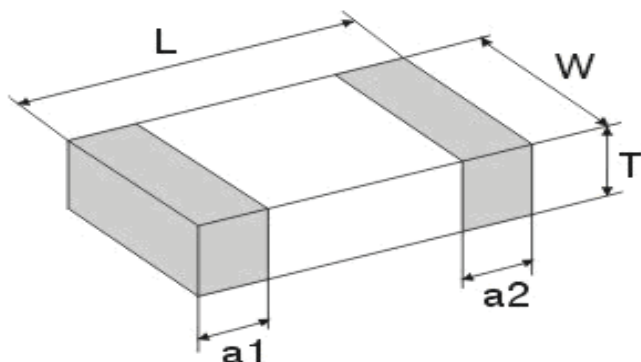
### Tolerance

M: ±20%

### Packaging

T: Tape and Reel  
(3kpcs / reel)

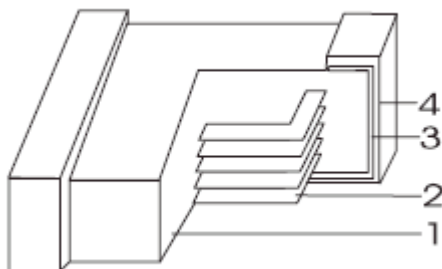
## OUTLINE DIMENSION



L	W	T	a1,a2
2.00±0.20	1.25±0.20	0.85±0.10 (for 1μH~4.7μH) 1.15±0.10 (for 10μH and 22μH)	0.50±0.30

Dimension: mm

## Materials



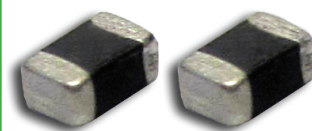
	Part Name	Material
1	Base Material	Ferrite (Ni-Cu-Zn series)
2	Internal Conductor	Ag
3	Terminal Electrode	Ag
4	Terminal Electrode	Ni-Sn

# Multilayer Ferrite Chip Inductor (High Current)

AIML-0805HC

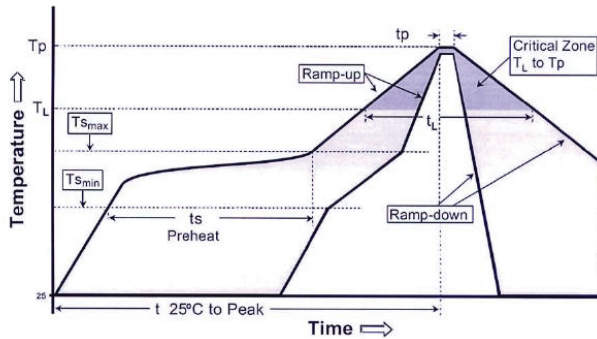


RoHS/RoHS II compliant



2.00 x 1.25 x 0.85mm  
2.00 x 1.25 x 1.15mm

## REFLOW PROFILE

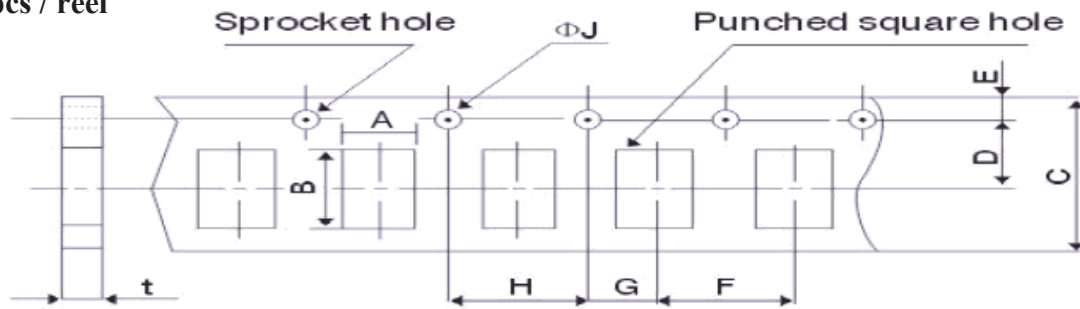


Profile Feature	Lead-Free Assembly
Average Ramp-Up Rate (Tsmax to Tp)	3°C/second max.
Preheat <ul style="list-style-type: none"> <li>- Temperature Min (Tsmin)</li> <li>- Temperature Max (Tsmax)</li> <li>- Time (tsmin to tsmax) min to tsmax)</li> </ul>	150 °C 200 °C 60-180 seconds
Time maintained above: <ul style="list-style-type: none"> <li>- Temperature (Tl)</li> <li>- Time (tl)</li> </ul>	217 °C 60-150 seconds
Peak/Classification Temperature (Tp) Peak/Classification Time (Tp)	260 °C 3-4 seconds
Time within 5 °C of actual Peak Temperature (tp)	20-40 seconds
Ramp-Down Rate	6°C/second max.
Time 25 °C to Peak Temperature	8 minutes max.

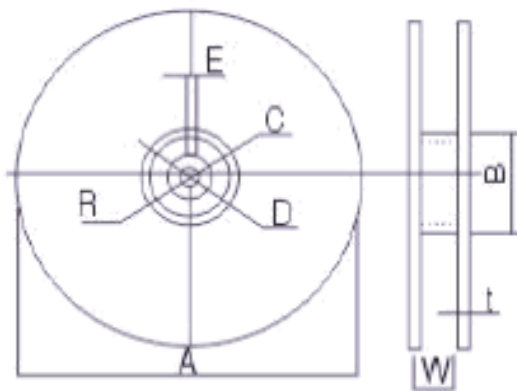
## TAPE & REEL

### Packing

T: 3,000pcs / reel



A	B	C	D	E	F	G	H	ΦJ	t(max)
1.5±0.15	2.5±0.2	8.0±0.3	3.5±0.05	1.75±0.1	4.0±0.1	2.0±0.05	4.0±0.1	1.5+0.1/-0	1.0±0.05 (for 1µH~4.7µH) 1.1±0.05 (for 10µH and 22µH)



A	178±2
B	60±2
C	13.0±0.5
D	21.0±0.8
E	2.0±0.5
W	10.0±1.15
t	1.2±0.2
R	1.0±0.25

**ATTENTION:** Abracon Corporation's products are COTS – Commercial-Off-The-Shelf products; suitable for Commercial, Industrial and, where designated, Automotive Applications. Abracon's products are not specifically designed for Military, Aviation, Aerospace, Life-dependant Medical applications or any application requiring high reliability where component failure could result in loss of life and/or property. For applications requiring high reliability and/or presenting an extreme operating environment, written consent and authorization from Abracon Corporation is required. Please contact Abracon Corporation for more information.

# Mouser Electronics

Authorized Distributor

Click to View Pricing, Inventory, Delivery & Lifecycle Information:

## ABRACON:

[AIML-0805HC-4R7M-T](#) [AIML-0805HC-1R0M-T](#) [AIML-0805HC-2R2M-T](#) [AIML-0805HC-100M-T](#) [AIML-0805HC-1R5M-T](#) [AIML-0805HC-220M-T](#)