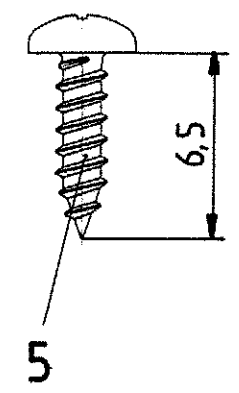
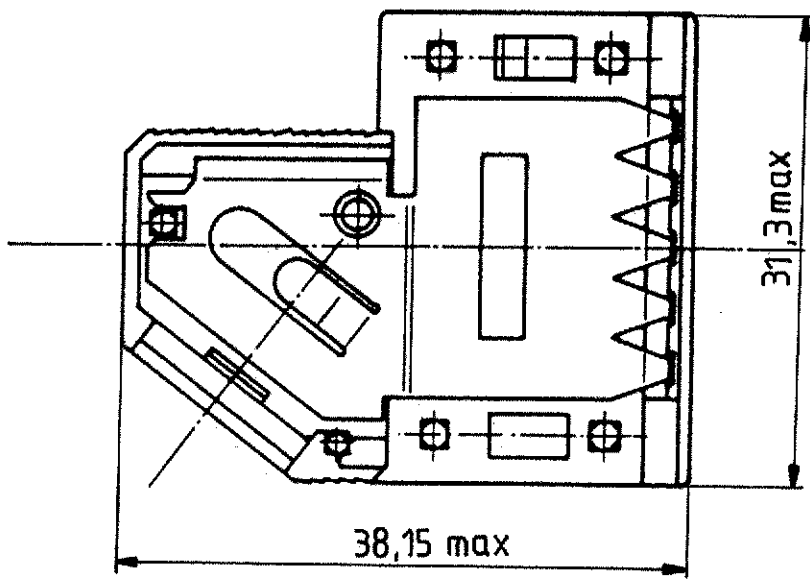
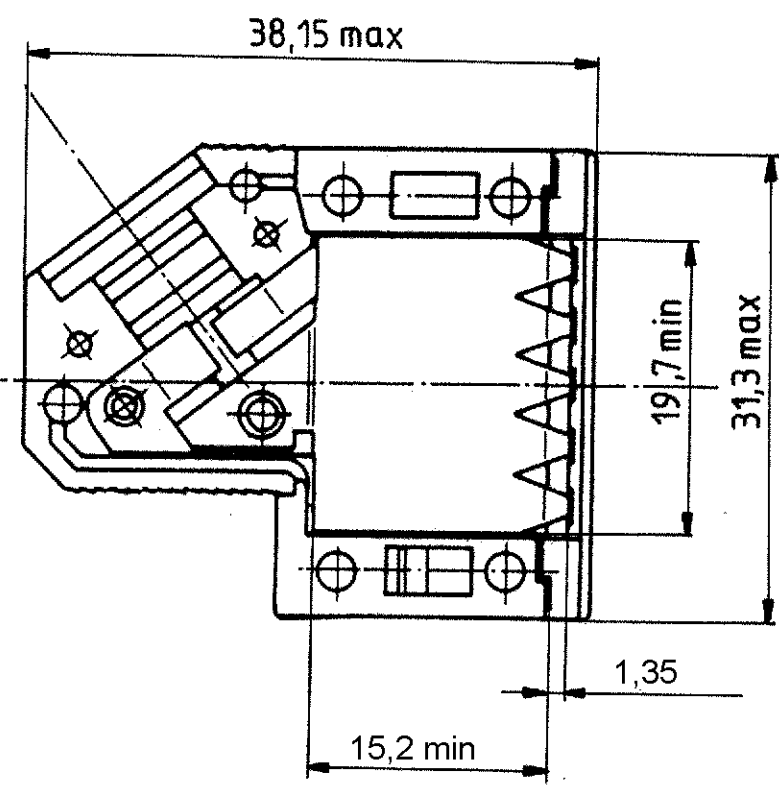
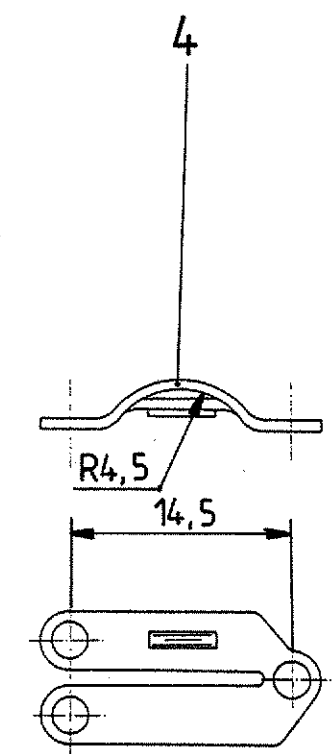
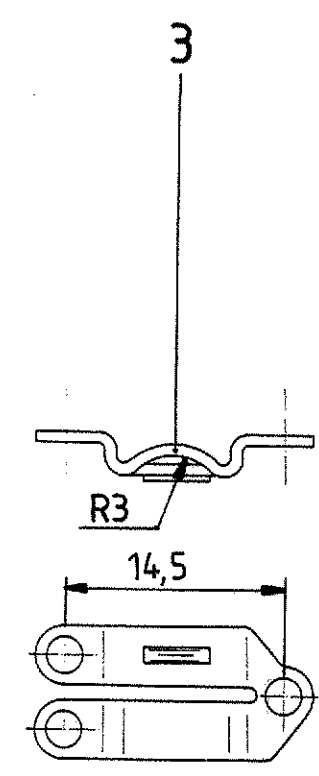
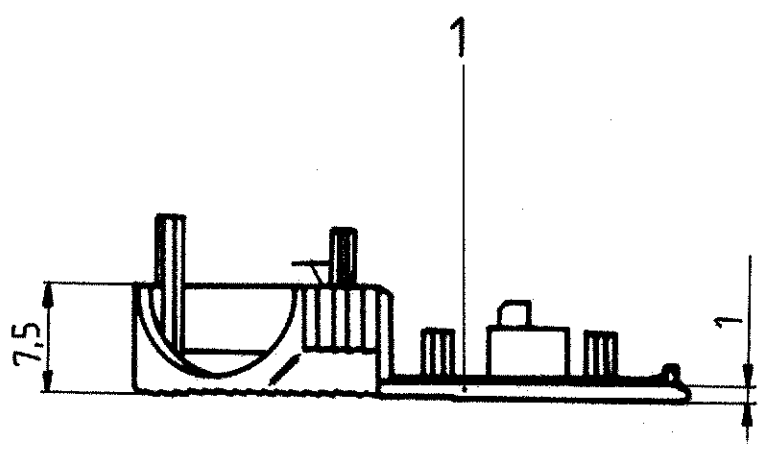
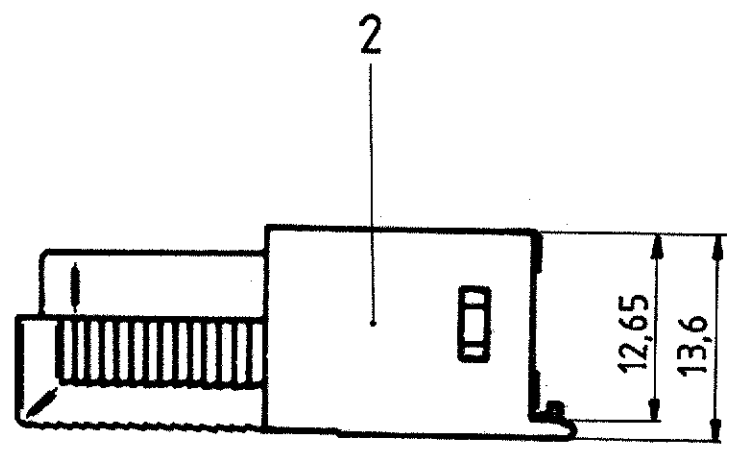


Sin nuestra autorización, queda terminantemente prohibida la reproducción total o parcial de este documento, así como su uso indebido y/o su exhibición o comunicación a terceros. De los infractores se exigirá el correspondiente resarcimiento de daños y perjuicios. Se reserva todos los derechos para el caso de la concesión de patente de invención o el registro de Modelo Industrial.

Weitergabe sowie Vervielfältigung dieser Unterlage, Verwertung und Mitteilung ihres Inhalts sind nicht gestattet, soweit nicht ausdrücklich zugestanden. Zuwiderhandlungen verpflichten zu Schadenersatz. Alle Rechte für den Fall der Patenterteilung oder GM-Eintragung vorbehalten.

Copying of this document, and giving it to others and the use or communication of the contents thereof, are forbidden without express authority. Offenders are liable to the payment of damages. All rights are reserved in the event of the grant of a patent or the registration of a utility model or design.



△ 1 FOR PLASTIC PARTS (POS. 1 AND 2):  
 - LENGTHS: DIN 16901/130,  
 - ANGLES, FORMS: DIN 7168-m, R,  
 FOR METAL PARTS (POS. 3 AND 4): DIN 7168-m,  
 FOR SCREWS (POS. 5 AND 6): DIN 7981 F-H.

P/N 9 contacts version: V42254-A6000-G\*09

				Maßstab	
				Tyco Electronics Corporation Oostkamp - Belgium	
				D-Sub housing shielded 9 contacts	
				V42254-A6000-G***-*-27	
				customer drawing number: C 1393738-1	
				page 1+	
				of 6	

A4	ECR-10-017904	08DEC10	FRK	Datum	30.08.88
A3	ECR-10-010763	24AUG10	FRK	Bearb.	De Petter
A2	ECR-09-024033	16-02-10	FRK	Geor.	PD Com P&SE
A1	SR10-0493-02	21 NOV 02	KV	Norm	
A	W000/7013	03.07.00	KV		
02	WB 89/176	27.06.89	VH		
01		22.09.88			
51		30.08.88			
Zust.	Mitteilung	Datum	Name		



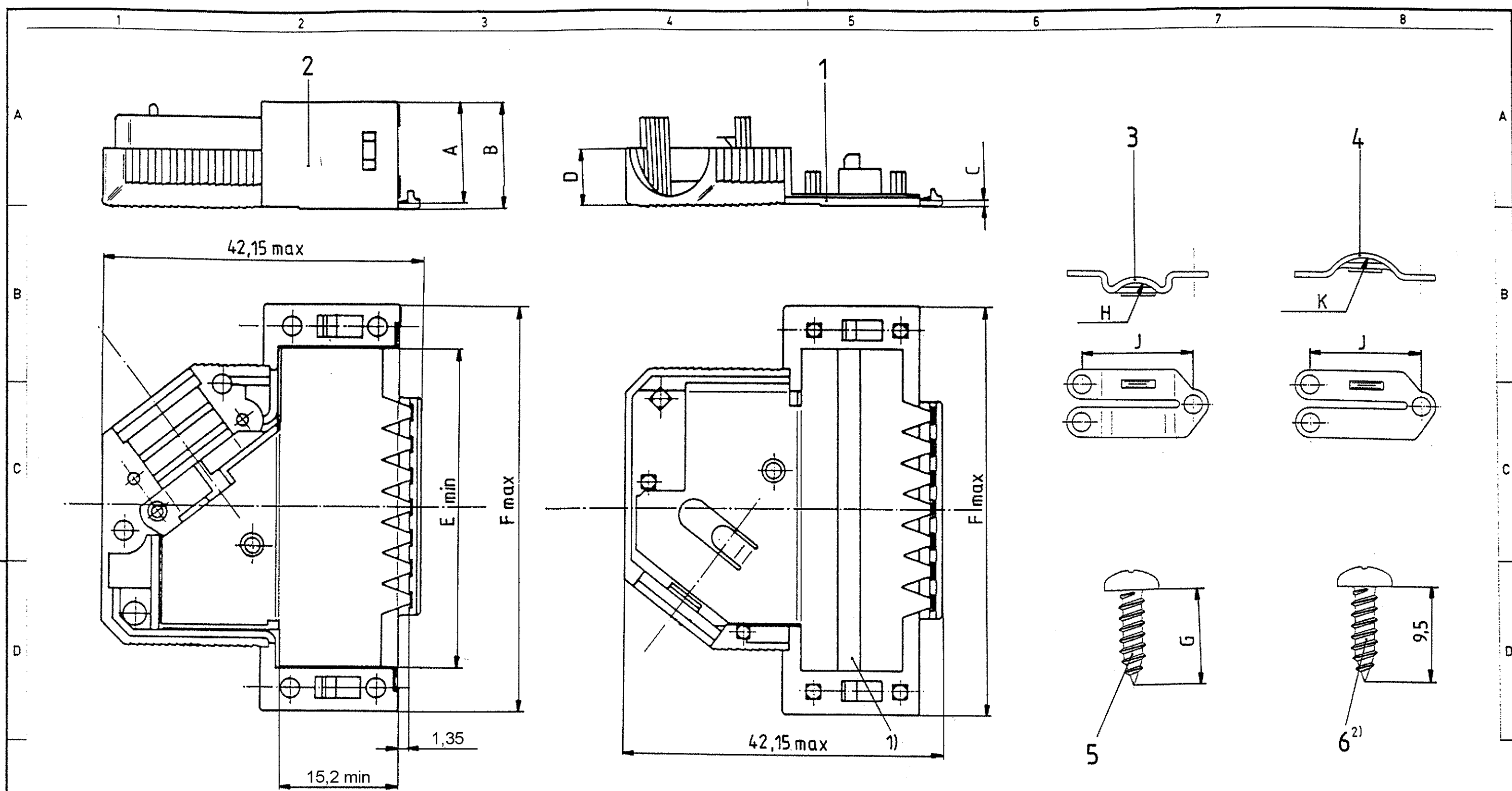
TOLERANCES UNLESS OTHERWISE SPECIFIED:



Si esta copia o versión autorizada queda permanentemente prohibida la reproducción total o parcial de este documento, así como su uso indebido y/o su exhibición o comunicación a terceros. De los infractores se exigirá el correspondiente resarcimiento de daños y perjuicios. Se reserva todos los derechos para el caso de la concesión de patente de invención o el registro de Modelo Industrial.

Wiedergabe sowie Vervielfältigung dieses Unterbauelementes, sowie die Auslieferung dieses Bauelementes, ist ohne schriftliche Genehmigung der Tyco Electronics Corporation, Oostkamp - Belgien, ist ausdrücklich untersagt. Zuwiderhandlungen werden mit allen rechtlichen Mitteln verfolgt. Alle Rechte vorbehalten. Im Falle der Patenterteilung oder des Eintrags eines Modells.

Copying of this document and opening it to others and the use or communication of the contents thereof, are forbidden without express authority. Offenders are liable to the payment of damages. All rights are reserved in the event of the grant of a patent or the registration of a utility model or design.



housing		dimension									
P/N	No. of contacts	A	B	C	D	E	F	G	H	J	K
V42254-A6000-											
G × 15	15					28	39,62		R3	14,5	R4,5
G × 25	25	13	14	1	7,5	41,8	53,52	6,5	R4	16	R5,5
G × 37	37					58,25	69,8				
G × 50	50	16	17,5	1,5	9,5	55,78	67,41	9,5	R5,5	20,6	R7

2) only for the 37 contacts version  
 1) tape only for the 15 to 37 contacts versions  
 drawn is the 25 contacts version

		Tyco Electronics Corporation Oostkamp - Belgium	
Datum: 30.08.88 Bearb: De Petter Gedr: PD Com P&SE Norm:		D-Sub housing shielded 15 to 50 contacts	
TOLERANCES UNLESS OTHERWISE SPECIFIED:		<b>V42254 - A6000 - G*** - *-27</b>	
A4 SEE SHEET 1		page 2+	
Zust: Mitteilung Datum Name		customer drawing number: C 1393738-1	
		of 6	

V 4 2 2 5 4 - A 6 0 0 \* - G \* \* \*

Housing type

G plastic housing, shielded

Marking and colour of the housing

- 1 TE-marking, grey
- 2 without marking, grey
- 3 TE-marking, black
- 4 without marking, black

Packaging	wire diameter	No. of contacts - housing size					
		0	1	2	3	4	
set 1)	4-8					09	9 contact - housing size 1
200 2)	4-6					15	15 contacts - housing size 2
200 2)	6-8					25	25 contacts - housing size 3
200 2)	8-10					37	37 contacts - housing size 4
200 2)	10-11					50	50 contacts - housing size 5
200 2)	6-11						
200 2)	5-10						
200 2)	5-8						
200 2)	5-11						
200 2)	5-8,5						
200 2)	8,5-1						
200 2)	9-14,5						
200 2)	9-12						
200 2)	12-14,5						
200 2)	9-14,5						

1) per set, in blister  
 - 9 and 15 contacts : 25  
 - 25, 37 and 50 contacts : 15  
 2) loose pieces, in cardboard : 200



Tyco Electronics Corporation  
 Oostkamp - Belgium



LOC DIMENSIONS  
 GW IN MM

SCALE

WEIGHT

MATERIAL

DATE 30.08.88  
 NAME De Petter  
 DEP. PD Com P&SE

NAME  
 D-Sub Housing  
 shielded

TOLERANCE UNLESS  
 SPECIFIED OTHERWISE

DWG NO.  
 V42254-A6000-G\*\*\*-\*-27

SHT. 3+

A4 SEE SHEET 1

REV. CHANGE ORDER DATE APP. customer drawing number: C 1393738-1

OF 6

THIS INFORMATION IS CONFIDENTIAL AND PROPRIETARY TO TYCO ELECTRONICS CORPORATION AND ITS WORLDWIDE SUBSIDIARIES AND AFFILIATES. IT MAY NOT BE DISCLOSED TO ANYONE, OTHER THAN TYCO ELECTRONICS PERSONEL, WITHOUT WRITTEN AUTHORIZATION FROM TYCO ELECTRONICS CORPORATION, HARRISBURG, PENNSYLVANIA USA.

PROPRIETARY:

1

2

3

4

A

Active part numbers. Contact Tyco Electronics for other configuration availability

B

Old Part Number	TE Part Number
V42254-A6000-G109	1393738-1
V42254-A6000-G115	1393738-2
V42254-A6000-G125	1393738-3
V42254-A6000-G137	1393738-4
V42254-A6000-G150	1393738-5
V42254-A6000-G209	1393738-6
V42254-A6000-G309	1393738-7
V42254-A6000-G315	1393738-8
V42254-A6000-G325	1393738-9
V42254-A6001-G109	4-1393738-2
V42254-A6001-G125	4-1393738-4
V42254-A6001-G309	4-1393738-5
V42254-A6001-G315	4-1393738-6
V42254-A6002-G109	5-1393738-0
V42254-A6002-G125	5-1393738-2
V42254-A6003-G137	5-1393738-7
V42254-A6004-G109	5-1393738-9
V42254-A6004-G115	6-1393738-0
V42254-A6004-G125	6-1393738-1
V42254-A6004-G137	6-1393738-2
V42254-A6004-G150	6-1393738-3
V42254-A6004-G209	6-1393738-4
V42254-A6004-G215	6-1393738-5
V42254-A6004-G225	6-1393738-6
V42254-A6004-G309	1-1393739-9
V42254-A6004-G315	6-1393738-7
V42254-A6004-G325	2-1393739-0
V42254-A6004-G337	2-1393739-1
V42254-A6004-G350	2-1393739-2
V42254-A6004-G409	6-1393738-8
V42254-A6004-G415	6-1393738-9
V42254-A6004-G437	7-1393738-1

SUPERSEDED BY 1393738-1

OBSOLETE

SUPERSEDED BY 6-1393738-1

SUPERSEDED BY 1-1393739-9

SUPERSEDED BY 6-1393738-7

OBSOLETE

SUPERSEDED BY 6-1393738-1

SUPERSEDED BY 6-1393738-2

SUPERSEDED BY 5-1393738-9

OBSOLETE

OBSOLETE

SUPERSEDED BY 6-1393738-2

SUPERSEDED BY 6-1393738-3

OBSOLETE

OBSOLETE

OBSOLETE

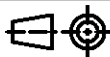
C

D

E



Tyco Electronics Corporation  
Oostkamp - Belgium



LOC DIMENSIONS  
GW IN MM

SCALE

WEIGHT

MATERIAL

DATE 30.08.88

NAME De Petter

DEP. PD Com P&SE

EC

TOLERANCE UNLESS SPECIFIED OTHERWISE

NAME

D-Sub Housing

shielded

DWG NO.

V42254-A6000-G\*\*\*-\*-27

SHT. 4+

REV. SEE SHEET 1.

CHANGE ORDER

DATE

APP.

Customer Drawing: C 1393738-1

OF 6

1

2

3

4

F

THIS INFORMATION IS CONFIDENTIAL AND PROPRIETARY TO TYCO ELECTRONICS CORPORATION AND ITS WORLDWIDE SUBSIDIARIES AND AFFILIATES. IT MAY NOT BE DISCLOSED TO ANYONE, OTHER THAN TYCO ELECTRONICS PERSONEL, WITHOUT WRITTEN AUTHORIZATION FROM TYCO ELECTRONICS CORPORATION, HARRISBURG, PENNSYLVANIA USA.

PROPRIETARY:



PROPRIETARY: THIS INFORMATION IS CONFIDENTIAL AND PROPRIETARY TO TYCO ELECTRONICS CORPORATION AND ITS WORLDWIDE SUBSIDIARIES AND AFFILIATES. IT MAY NOT BE DISCLOSED TO ANYONE, OTHER THAN TYCO ELECTRONICS PERSONNEL, WITHOUT WRITTEN AUTHORIZATION FROM TYCO ELECTRONICS CORPORATION, HARRISBURG PENNSYLVANIA USA

V 4 2 2 5 4 - A 6 1 \* \* - L 1

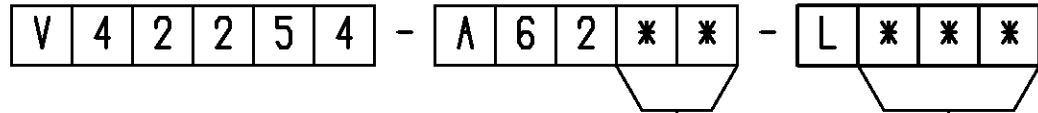
Technical data		
	contact tube outer diameter ±0.1	for shield braiding outer diameter
04	4	2.0 to 2.7
05	5	2.8 to 3.7
06	6	3.8 to 4.7
07	7	4.8 to 5.7
08	8	5.8 to 6.7
09	9	6.8 to 7.7
10	10	7.8 to 8.7
11	11	8.8 to 9.7
12	12	9.8 to 10.7
13	13	10.8 to 11.7
14	14	11.8 to 12.7
15	15	12.8 to 13.7

Active part numbers. Contact Tyco Electronics for other configuration availability

Old Part Number	TE Part Number	
V42254-A6104-L1	3-1393561-2	OBSOLETE
V42254-A6105-L1	3-1393561-3	
V42254-A6106-L1	3-1393561-4	
V42254-A6107-L1	3-1393561-5	
V42254-A6108-L1	3-1393561-6	
V42254-A6109-L1	3-1393561-9	
V42254-A6110-L1	4-1393561-0	
V42254-A6111-L1	4-1393561-1	
V42254-A6112-L1	4-1393561-2	
V42254-A6113-L1	4-1393561-3	OBSOLETE
V42254-A6114-L1	4-1393561-4	OBSOLETE
V42254-A6115-L1	5-1393502-9	OBSOLETE

APPLICABLE SPEC.:				FINISH					
				DIMENSIONS APPLY		PLATING			
 TYCO ELECTRONICS CORPORATION OOSTKAMP - BELGIUM				 DIMENSIONS IN MM		SCALE		WEIGHT	
						MATERIAL			
				DATE		30.08.88		NAME	
				NAME		De Petter		D-Sub Housing	
				DEP.		PD Com P&SE		accessories: contact tubes	
				EC					
				TOLERANCE UNLESS SPECIFIED OTHERWISE				DWG NO.	
A4 SEE SHEET 1						V42254-A6000-G***-*-27		SHT. 5+	
REV. CHANGE ORDER		DATE		APP.		customer drawing number: C 1393738-1		OF 6	

PROPRIETARY: THIS INFORMATION IS CONFIDENTIAL AND PROPRIETARY TO TYCO ELECTRONICS CORPORATION AND ITS WORLDWIDE SUBSIDIARIES AND AFFILIATES. IT MAY NOT BE DISCLOSED TO ANYONE, OTHER THAN TYCO ELECTRONICS PERSONNEL, WITHOUT WRITTEN AUTHORIZATION FROM TYCO ELECTRONICS CORPORATION, HARRISBURG PENNSYLVANIA USA



		Technical Data	
		bushing inner diameter ±0.2	cable outer diameter
00	1) 2)	/	/
05	3)	5	4.2 to 4.9
06	3)	6	5.0 to 5.9
07	3)	7	6.0 to 6.9
08	3)	8	7.0 to 7.9
09	3)	9	8.0 to 8.9
10	2)	10	9.0 to 9.9
11	2)	11	10.0 to 10.9
12	4)	12	11.0 to 11.9
13	4)	13	12.0 to 12.9
14	4)	14	13.0 to 13.9
15	4)	15	14.0 to 14.9

	contacts	colour
1	9 to 37	grey
50	50	grey
100	9 to 37	black
150	50	black

Active part numbers. Contact Tyco Electronics for other configuration availability

Old Part Number	TE Part Number	
V42254-A6200-L 1	4-1393561-5	
V42254-A6200-L 50	4-1393561-6	
V42254-A6200-L100	5-1393502-1	OBSOLETE
V42254-A6200-L150	5-1393502-2	OBSOLETE
V42254-A6205-L 1	4-1393561-7	
V42254-A6205-L100	4-1393561-8	
V42254-A6206-L 1	4-1393561-9	
V42254-A6206-L100	5-1393561-0	
V42254-A6207-L 1	5-1393561-1	
V42254-A6207-L100	5-1393561-4	OBSOLETE
V42254-A6208-L 1	5-1393561-5	
V42254-A6208-L100	5-1393561-6	
V42254-A6209-L 1	5-1393561-7	
V42254-A6209-L100	5-1393561-8	
V42254-A6210-L 1	5-1393561-9	
V42254-A6210-L 50	6-1393561-0	
V42254-A6210-L100	6-1393561-1	OBSOLETE
V42254-A6210-L150	5-1393502-3	OBSOLETE
V42254-A6211-L 1	6-1393561-2	
V42254-A6211-L 50	6-1393561-3	
V42254-A6211-L100	5-1393502-4	OBSOLETE
V42254-A6211-L150	5-1393502-5	OBSOLETE
V42254-A6212-L 50	6-1393561-4	
V42254-A6212-L150	5-1393502-6	OBSOLETE
V42254-A6213-L 50	6-1393561-5	
V42254-A6213-L150	5-1393502-7	OBSOLETE
V42254-A6214-L 50	6-1393561-6	
V42254-A6214-L150	5-1393502-8	OBSOLETE
V42254-A6215-L 50	8-1393501-5	OBSOLETE
V42254-A6215-L150	6-1393561-7	OBSOLETE

- 4) only for 50 contacts
- 3) only for 9 to 37 contacts
- 2) for 9 to 50 contacts
- 1) Blank bushing

APPLICABLE SPEC.:				FINISH			
				DIMENSIONS APPLY		PLATING	
TYCO ELECTRONICS CORPORATION OOSTKAMP - BELGIUM Loc GW DIMENSIONS IN MM				SCALE		WEIGHT	
				MATERIAL			
DATE 30.08.88				NAME			
NAME De Petter				D-Sub Housing			
DEP. PD Com P&SE				accessories: cable bushings			
EC				DWG NO.			
TOLERANCE UNLESS SPECIFIED OTHERWISE				V42254-A6000-G***-*-27		SHT. 6-	
A4	SEE SHEET 1						
REV.	CHANGE ORDER	DATE	APP.	customer drawing number: C 1393738-1			
						OF 6	