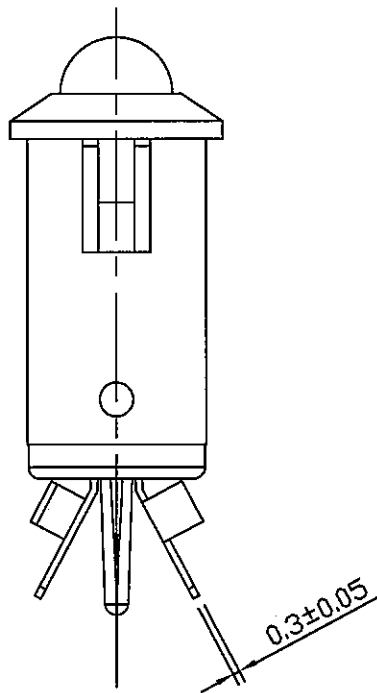
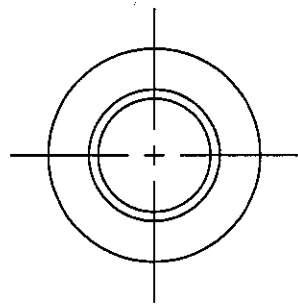
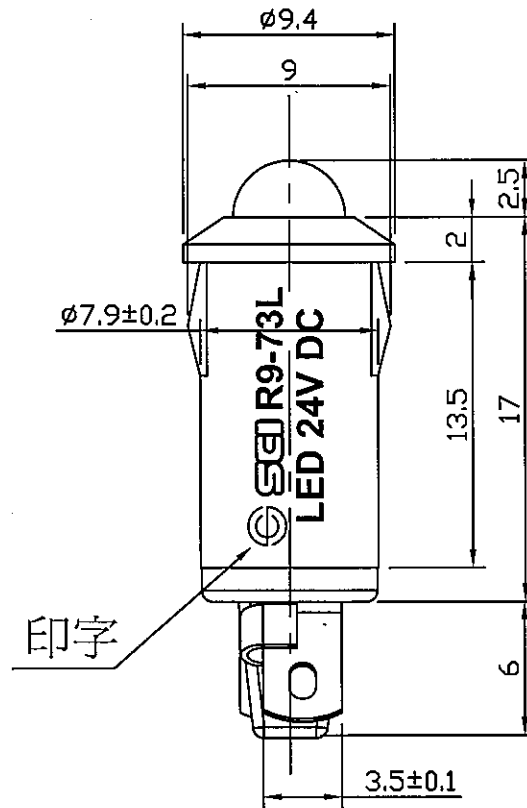


Rating	24V DC	Mounting Hole	Circuit Diagram
Insulation Resistance	DC 500V 100M ohm Min.		
Dielectric Strength	AC 500V 1 minute		
Operation Temperature	-20°C~85°C		

LED Color	LED Lens Color	VF	IF	Iv(mcd)	View Angle
Red	Red Diffused	2.0V	20mA	350	25°

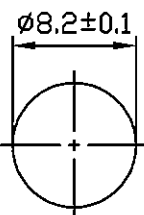
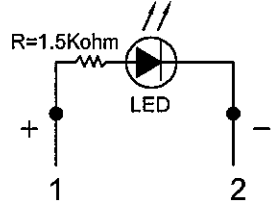


Material:
 Body : Nylon#66, Black
 Base : PBT, Black

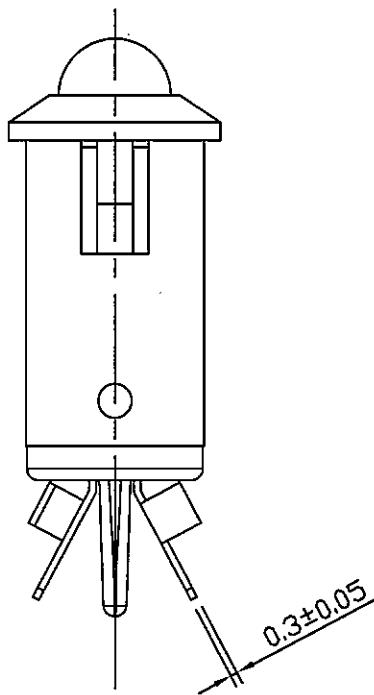
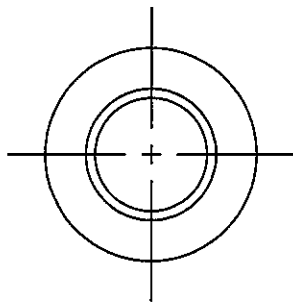


Tolerances Unless Otherwise Specified ±0.3

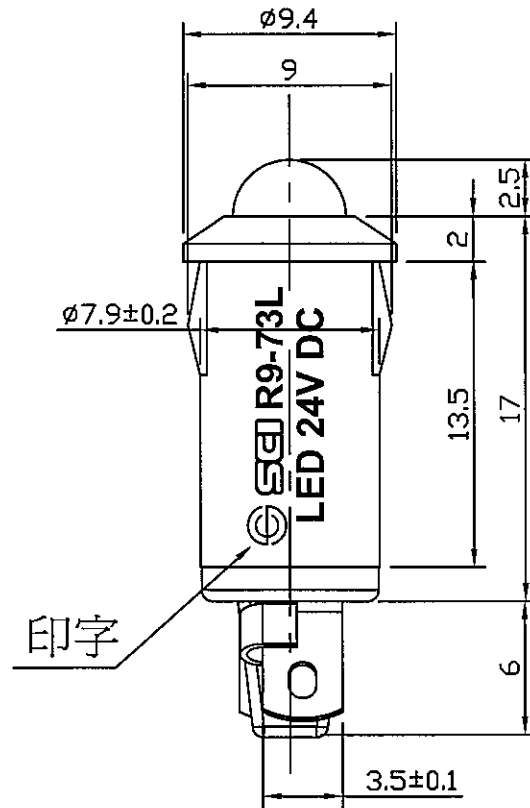
								△
								△
Date	Name	Description						NO
Drawn	Checked	Approved	SCI BOM No.	Model Name		INDICATOR		
曹盈芳			Customer No.	Model No.		R9-73L-05		Rev.
12/07/12		12/7/12	Unit	mm	Shin Chin Industrial Co., Ltd.			X0

Rating	24V DC	Mounting Hole 	Circuit Diagram 
Insulation Resistance	DC 500V 100M ohm Min.		
Dielectric Strength	AC 500V 1 minute		
Operation Temperature	-20°C~85°C		

LED Color	LED Lens Color	VF	IF	Iv(mcd)	View Angle
Green	Green trans	2.0V	20mA	250	15°

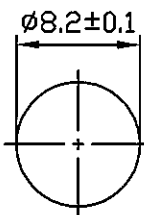
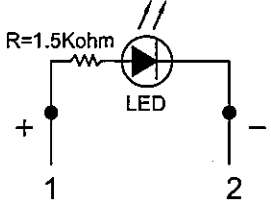


Material:
Body : Nylon#66, Black
Base : PBT, Black

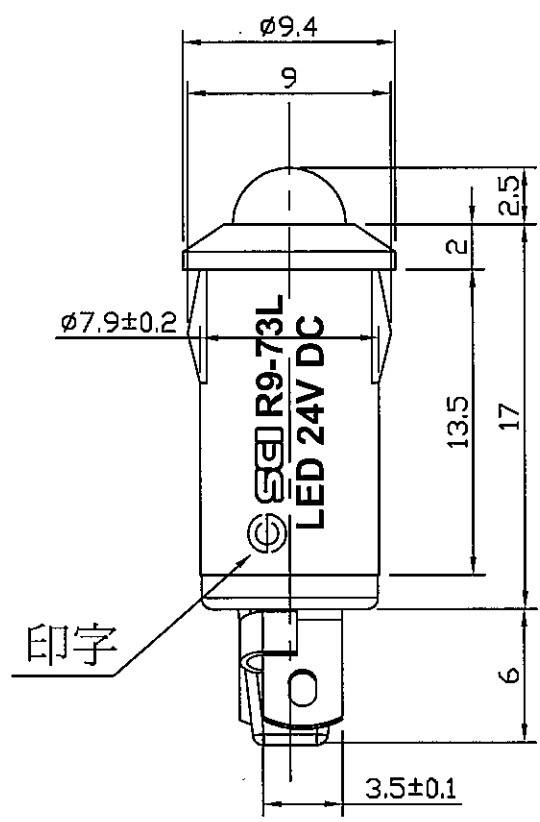
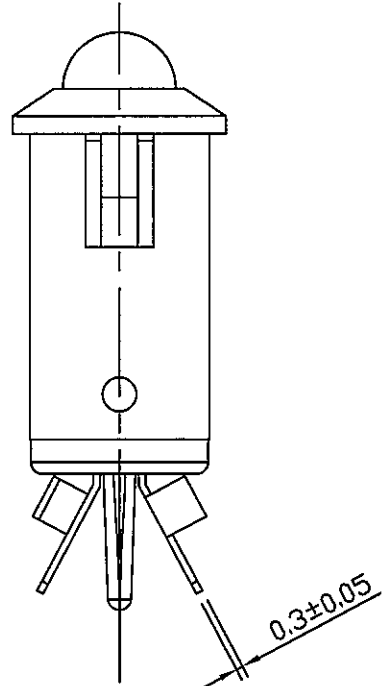
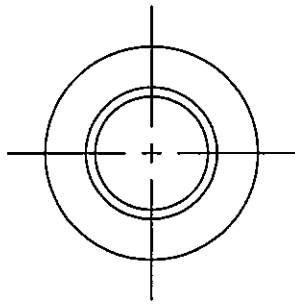


Tolerances Unless Otherwise Specified ±0.3

						△
						△
Date	Name	Description				NO
Drawn	Checked	Approved	SCI BOM No.	Model Name	INDICATOR	
曹盈芳		<i>FAB</i>	Customer No.	Model No.	R9-73L-05	Rev. X0
12/07/12		<i>12/11/12</i>	Unit	mm	Shin Chin Industrial Co., Ltd.	

Rating	24V DC		
Insulation Resistance	DC 500V 100M ohm Min.		
Dielectric Strength	AC 500V 1 minute		
Operation Temperature	-20° C~85° C		

LED Color	LED Lens Color	VF	IF	Iv(mcd)	View Angle
Yellow	Yellow trans	2.0V	20mA	150	15°



Material:
 Body : Nylon#66, Black
 Base : PBT, Black

Tolerances Unless Otherwise Specified ±0.3

						△
						△
Date	Name	Description				NO
Drawn	Checked	Approved	SCI BOM No.	Model Name	INDICATOR	
曹盈芳		<i>[Signature]</i>	Customer No.	Model No.	R9-73L-05	Rev. X0
12/07/12		<i>[Signature]</i>	Unit	mm	© Shin Chin Industrial Co., Ltd.	

Mouser Electronics

Authorized Distributor

Click to View Pricing, Inventory, Delivery & Lifecycle Information:

[Shin Chin:](#)

[R9-73L-05-R-24](#) [R9-73L-05-G-24](#)